

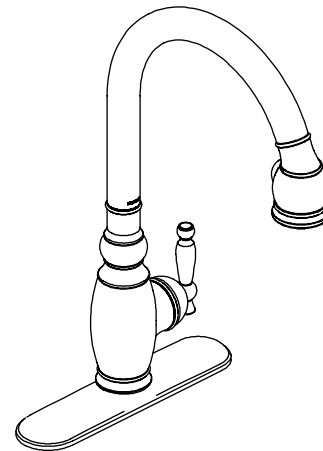
**Features**

- Metal construction
- One-piece, self-contained ceramic disc valve allows both volume and temperature control
- Temperature memory allows faucet to be turned on and off at any temperature setting
- High-temperature limit setting for added safety
- Touch control for stream-to-spray water flow
- Integral pullout sprayhead with retractable hose
- Integral vacuum breaker
- Flexible supplies
- Meets CalGreen requirements for kitchen faucets
- Available with a 9-1/2" (241 mm) or 7-1/2" (191 mm) swing spout reach
- Includes 10-1/2" (267 mm) escutcheon and 2-1/2" (64 mm) diameter escutcheon
- 1.8 gallons (6.8 L) per minute maximum flow rate at 60 psi (4.1 bar)

**PULL-DOWN KITCHEN SINK FAUCET**

**K-690**  
**ALSO K-691**

**ADA**



**Codes/Standards Applicable**

Specified model meets or exceeds the following at date of manufacture:

- ADA
- ASME A112.18.1/CSA B125.1
- ICC/ANSI A117.1
- NSF 61
- Energy Policy Act of 1992
- All applicable US Federal and State material regulations

**Colors/Finishes**

- CP: Polished Chrome
- BN: Brushed Nickel
- Other: Refer to Price Book for additional colors/finishes

**Accessories**

- NA: None applicable

**Specified Model**

Model	Description	Colors/Finishes		
K-690	Pull-down kitchen sink faucet – with 9-1/2" (241 mm) swing spout reach	<input type="checkbox"/> CP	<input type="checkbox"/> BN	<input type="checkbox"/> Other ____
K-691	Pull-down kitchen sink faucet – with 7-1/2" (191 mm) swing spout reach, secondary	<input type="checkbox"/> CP	<input type="checkbox"/> BN	<input type="checkbox"/> Other ____

**Product Specification**

The single-control pull-down spray kitchen sink faucet shall be of metal construction. Product shall have a maximum flow rate of 1.8 gallons (6.8 L) per minute at 60 psi (4.1 bar). Product shall meet CalGreen requirements for kitchen faucets. Product shall feature a one-piece, self-contained ceramic disc valve, which allows both volume and temperature control. Product shall feature temperature memory, allowing the faucet to be turned on and off at any temperature setting. Product shall feature high-temperature limit setting for added safety and flexible supplies. Product shall feature a touch-control stream-to-spray, integral pullout sprayhead and hose, and integral vacuum breaker. Product shall be available with a 9-1/2" (241 mm) or 7-1/2" (191 mm) swing spout reach. Product shall include a 10-1/2" (267 mm) escutcheon and 2-1/2" (64 mm) diameter escutcheon. Faucet shall be Kohler Model K-\_\_\_\_-\_\_\_\_.

# VINNATA®

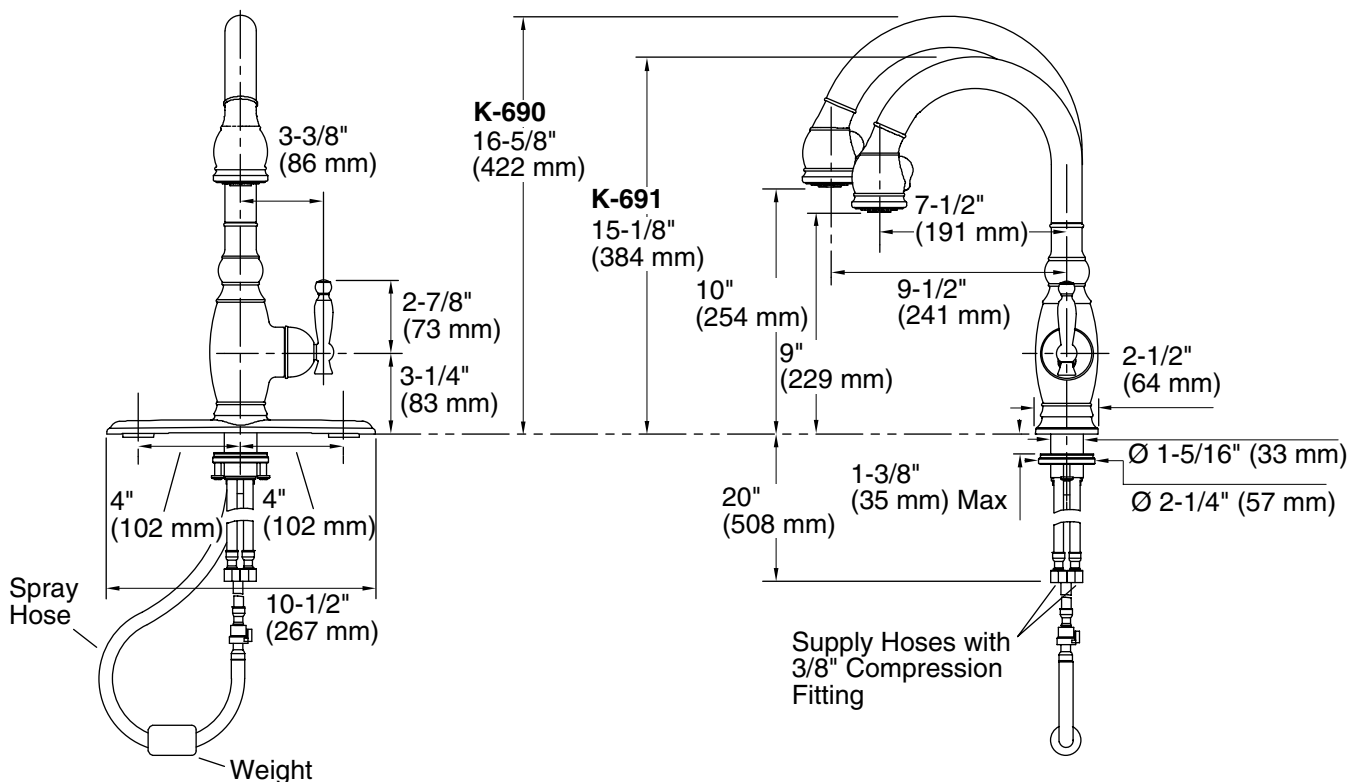
Optional Accessories		
1012715	Deep rough-in kit <i>Requires 1-7/16" (37 mm) to 1-1/2" (38 mm) diameter hole to accommodate 1-3/8" (35 mm) to 3-3/8" (86 mm) thick installations.</i>	<input type="checkbox"/> NA
1179913	Low flow kit – Reduces maximum flow to 1.5 gpm (5.7 L) at 60 psi (4.1 bar)	<input type="checkbox"/> NA

## Installation Notes

Install this product according to the installation guide.

Meets all local plumbing codes for backflow prevention requirements.

**ADA, ICC/ANSI A117.1** compliant when installed to the specific requirements of the regulation.



**Product Diagram**