

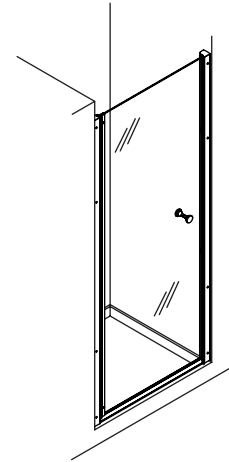
### Features

- Frameless design maximizes glass area
- Two roller-compression latches allow for smooth, secure door closure
- A concealed hinge provides a continuous contact point and smooth, stable operation
- Inside and outside elegant brass pull handles
- No top header eliminates clearance issues
- Aluminum components extruded from alloy 6063-T5
- Stainless steel hardware prevents rusting or corrosion
- All installation hardware included (tools not included)
- 1-1/2" (3.8 cm) width adjustability for out-of-plumb conditions
- 1/4" (6 mm) thick tempered glass
- Available in sizes to fit 28-3/4" (73 cm) to 39" (99.1 cm) opening

### FRAMELESS HINGE SHOWER DOORS

## K-702400

ALSO K-702402, K-702404, K-702406



### Codes/Standards Applicable

Specified model meets or exceeds the following:

- ANSI Z97.1 (tempered glass)

### Colors/Finishes

- SH: Bright Silver
- BH: Bright Brass
- MX: Matte Nickel
- L: Clear
- G54: Falling Lines

### Specified Model

Model	Application	Glass Options		Frame Finishes/Colors		
K-702400	Shower	<input type="checkbox"/> L	<input type="checkbox"/> G54	<input type="checkbox"/> SH	<input type="checkbox"/> BH	<input type="checkbox"/> MX
K-702402	Shower	<input type="checkbox"/> L	<input type="checkbox"/> G54	<input type="checkbox"/> SH	<input type="checkbox"/> BH	<input type="checkbox"/> MX
K-702404	Shower	<input type="checkbox"/> L	<input type="checkbox"/> G54	<input type="checkbox"/> SH	<input type="checkbox"/> BH	<input type="checkbox"/> MX
K-702406	Shower	<input type="checkbox"/> L	<input type="checkbox"/> G54	<input type="checkbox"/> SH	<input type="checkbox"/> BH	<input type="checkbox"/> MX
K-702408	Shower	<input type="checkbox"/> L	<input type="checkbox"/> G54	<input type="checkbox"/> SH	<input type="checkbox"/> BH	<input type="checkbox"/> MX
K-702410	Shower	<input type="checkbox"/> L	<input type="checkbox"/> G54	<input type="checkbox"/> SH	<input type="checkbox"/> BH	<input type="checkbox"/> MX
K-702412	Shower	<input type="checkbox"/> L	<input type="checkbox"/> G54	<input type="checkbox"/> SH	<input type="checkbox"/> BH	<input type="checkbox"/> MX
K-702414	Shower	<input type="checkbox"/> L	<input type="checkbox"/> G54	<input type="checkbox"/> SH	<input type="checkbox"/> BH	<input type="checkbox"/> MX

### Product Specification

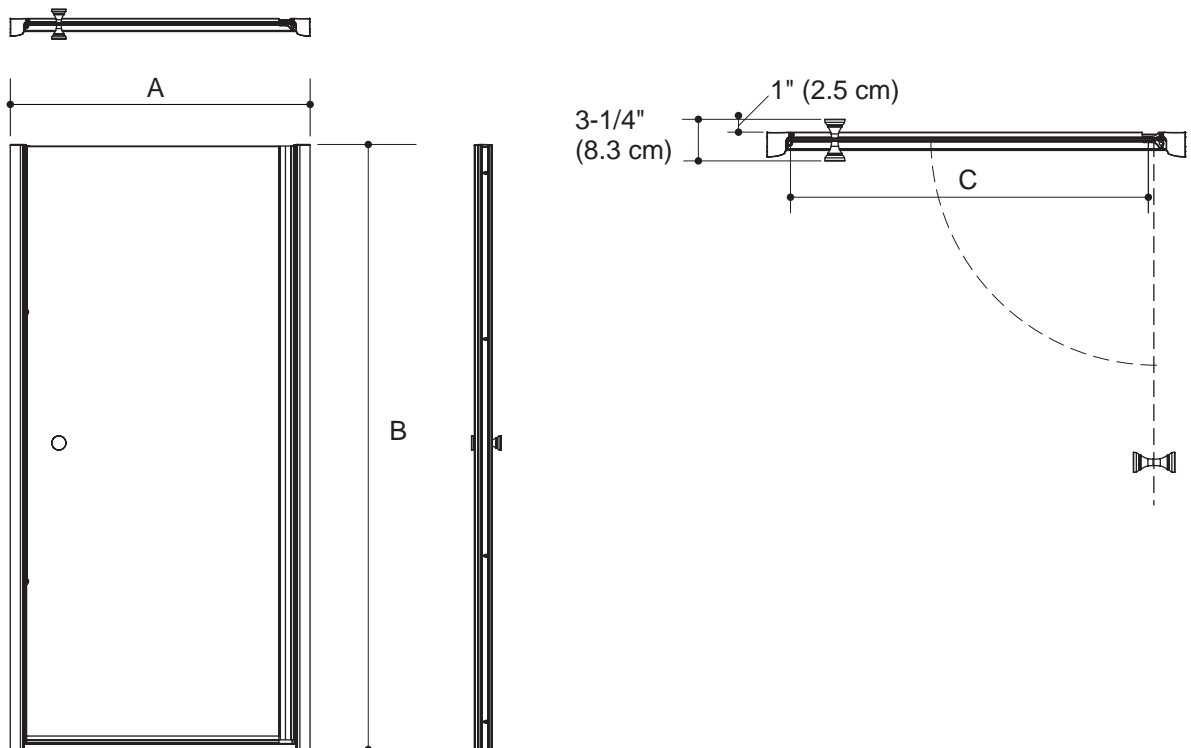
Frameless hinge shower door shall have a frameless design maximizing glass area. Door shall have inside and outside elegant brass pull handles. Door shall have two roller-compression latches allowing for smooth, secure door closure. Door shall have a concealed hinge providing a continuous contact point and smooth, stable operation. Door shall have no top header eliminating clearance issues. Door shall be made of 1/4" (6 mm) thick tempered glass. Door shall have aluminum components extruded from alloy 6063-T5. Door shall have stainless steel hardware to prevent rust or corrosion. Door shall include all installation hardware. Door shall have 1-1/2" (3.8 cm) width adjustability for out-of-plumb conditions. Door shall be available in sizes to fit 28-3/4" (73 cm) to 39" (99.1 cm) opening. Shower door shall be Kohler Model K-\_\_\_\_\_-\_\_\_\_\_-\_\_\_\_\_.

# FLUENCE™

## Installation Notes

Install this product according to the installation guide.

Roughing-In Notes			
Model	A Width (Max. / Min.)	B (Height)	C (Walk Through Max.)
K-702400	30-1/4" (76.8 cm) / 28-3/4" (73 cm)	65-1/2" (166.4 cm)	23-13/16" (60.5 cm)
K-702402	31-1/2" (80 cm) / 30" (76.2 cm)	65-1/2" (166.4 cm)	25-1/16" (63.7 cm)
K-702404	32-3/4" (83.2 cm) / 31-1/4" (79.4 cm)	65-1/2" (166.4 cm)	26-5/16" (66.8 cm)
K-702406	34" (86.4 cm) / 32-1/2" (82.6 cm)	65-1/2" (166.4 cm)	27-9/16" (70 cm)
K-702408	35-1/4" (89.5 cm) / 33-3/4" (85.7 cm)	65-1/2" (166.4 cm)	28-13/16" (73.2 cm)
K-702410	36-1/2" (92.7 cm) / 35" (88.9 cm)	65-1/2" (166.4 cm)	30-1/16" (76.4 cm)
K-702412	37-3/4" (95.9 cm) / 36-1/4" (92.1 cm)	65-1/2" (166.4 cm)	31-5/16" (79.5 cm)
K-702414	39" (99.1 cm) / 37-1/2" (95.3 cm)	65-1/2" (166.4 cm)	32-9/16" (82.7 cm)



## Product Diagram