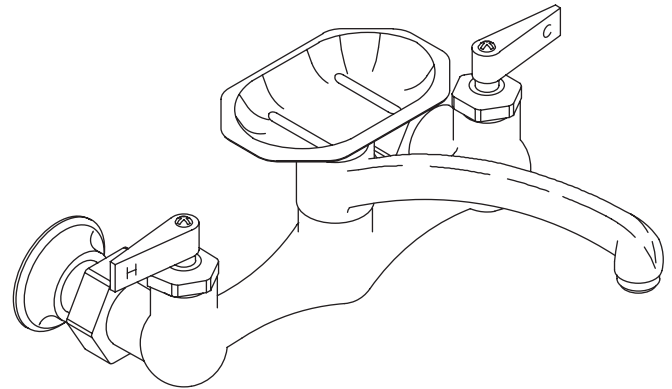


Features

- Brass construction
- Brass valve bodies
- 2.2 gpm (8.3 lpm) flow rate
- Lower flow aerator options are available (refer to the Kohler Price Book)
- Valvet® valves
- Cross or lever handles
- Optional soap dish
- For 8" (20.3 cm) centers
- Available with 8" (20.3 cm) or 12" (30.5 cm) spout



Codes/Standards Applicable

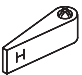

Specified model meets or exceeds the following:

- ASME A112.18.1/CSA B125.1
- Energy Policy Act of 1992 (EPACT)
- NSF 61
- CSA B125 (K-7855, K-7856)
- IAPMO/UPC (K-7855, K-7856)

Colors/Finishes

- CP: Polished Chrome
- Other: Refer to Price Book for additional colors/finishes

Specified Model

Model	Description	 <input type="checkbox"/> ADA			
K-7853	Faucet with 8" (20.3 cm) spout and lever handles, less soap dish	<input type="checkbox"/> CP	<input type="checkbox"/> Other_____		
K-7855-3	Faucet with 8" (20.3 cm) spout, soap dish, and cross handles			<input type="checkbox"/> CP	<input type="checkbox"/> Other_____
K-7855-4	Faucet with 8" (20.3 cm) spout, soap dish, and lever handles	<input type="checkbox"/> CP	<input type="checkbox"/> Other_____		
K-7856-3	Faucet with 12" (30.5 cm) spout, soap dish, and cross handles			<input type="checkbox"/> CP	<input type="checkbox"/> Other_____
K-7856-4	Faucet with 12" (30.5 cm) spout, soap dish, and lever handles	<input type="checkbox"/> CP	<input type="checkbox"/> Other_____		

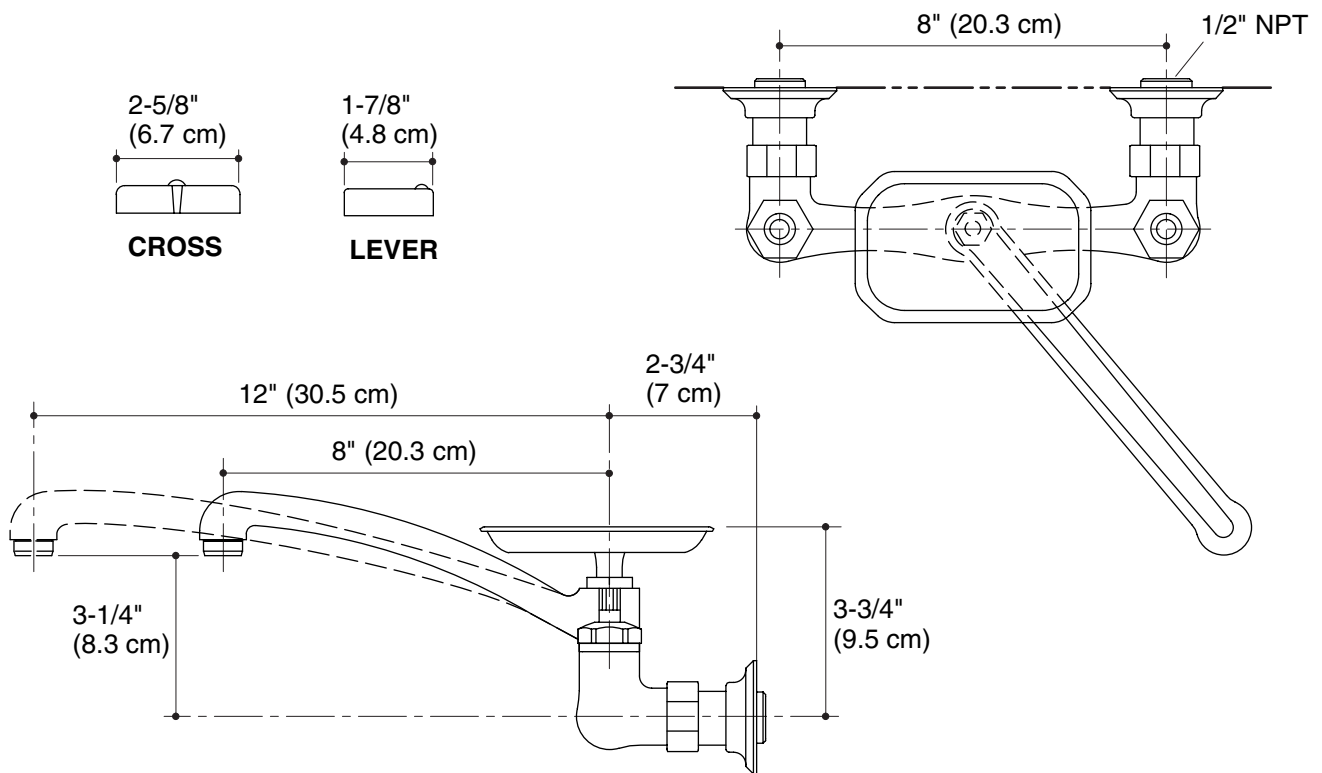
Product Specification

Two-handle sink supply faucet shall be of brass construction. Faucet shall feature brass valve bodies. Faucet shall feature Valvet valves. Faucet shall include 8" (20.3 cm) centers, and cross or lever handles. Optional features shall include 8" (20.3 cm) or 12" (30.5 cm) swing spout and soap dish. Faucet shall be rated at 2.2 gallons (8.3 L) per minute. Faucet shall have lower flow aerator options. Faucet shall be Kohler Model K-_____-_____-_____.

CLEARWATER™

Installation Notes

Install this product according to the installation guide.



Product Diagram