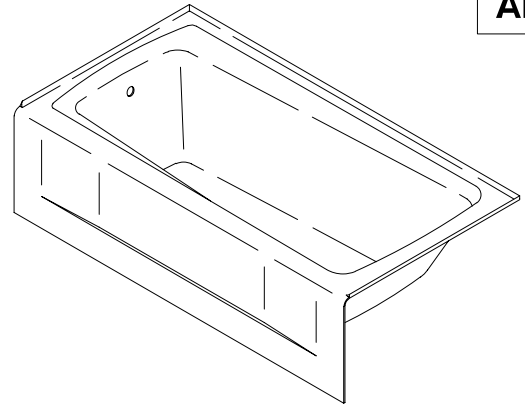


K-505, K-506

ADA



FEATURES

- 60" x 32" x 16-1/4"
- Cast iron with Safeguard® finish
- Left or right outlet
- ADA compliant when installed with seat at head end

CODES/STANDARDS APPLICABLE

Specified model meets or exceeds the following:

- ADA
- ASME/ANSI A112.19.1M
- CABO/ANSI A117.1
- IAPMO/UPC
- Canadian Standards Association (CSA)
- State of Massachusetts

COLORS/FINISHES

- 0 White
- Other Refer to Fixtures Price Book for additional colors

Accessories:

- CP Polished Chrome
- PB Polished Brass
- Other Refer to Faucets Price Book for additional finishes

SPECIFIED MODEL:

| Model | Description | Colors/Finishes | |
|-------|---------------------------|----------------------------------|-------------------------------------|
| K-505 | Bath with outlet at left | <input type="checkbox"/> 0 White | <input type="checkbox"/> Other_____ |
| K-506 | Bath with outlet at right | <input type="checkbox"/> 0 White | <input type="checkbox"/> Other_____ |

| Recommended Accessories | | | | |
|-------------------------|------------------|-----------------------------|-----------------------------|-------------------------------------|
| K-7160-TF | Drain OR | <input type="checkbox"/> CP | <input type="checkbox"/> PB | <input type="checkbox"/> Other_____ |
| K-11660 | Adjustable drain | <input type="checkbox"/> CP | <input type="checkbox"/> PB | <input type="checkbox"/> Other_____ |

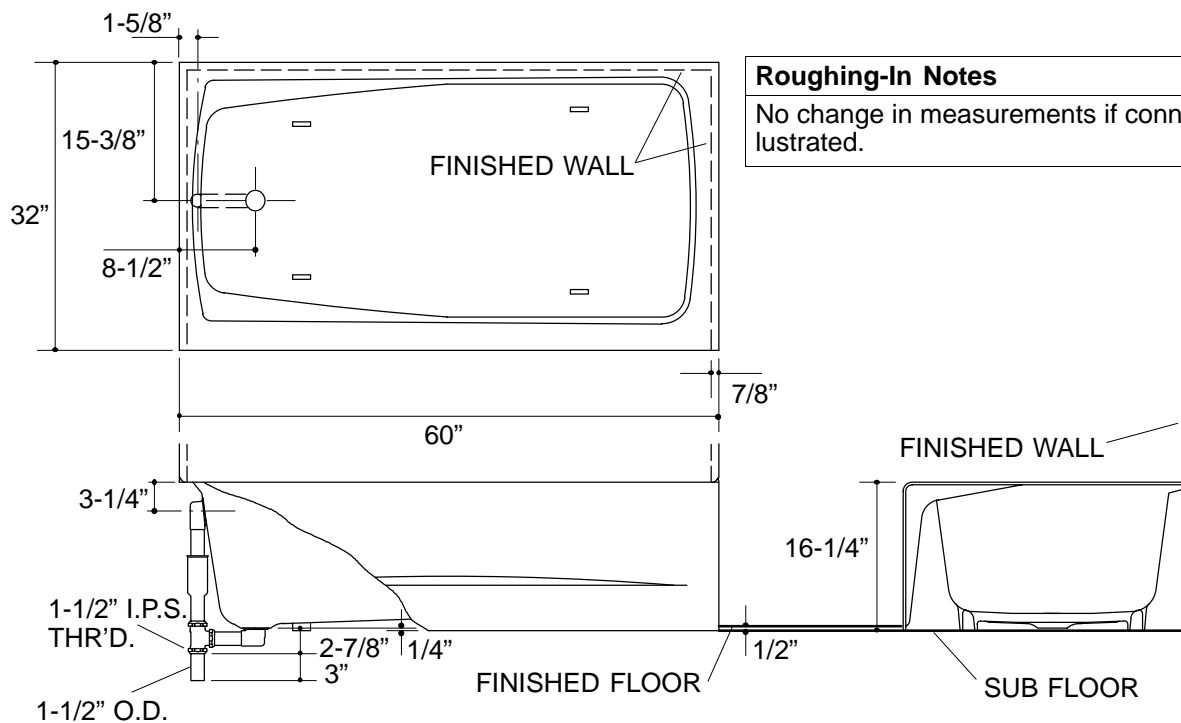
PRODUCT SPECIFICATION:

The bath shall be 60" in length, 32" in width, and 16-1/4" in height. Bath shall be made of cast iron with Safeguard® finish. Bath shall have an outlet at left or right. The bath shall be ADA compliant when installed with seat at head end. Bath shall be Kohler Model K-_____ - _____.

PRODUCT INFORMATION

| Fixture*: | basin area | top area | weight |
|--------------|-------------|-----------|----------|
| Bathing well | 43" x 20" | 54" x 24" | 351 lbs. |
| | water depth | capacity | |
| To overflow | 10-7/8" | 45 gal. | |

* Approximate measurements for comparison only.



Roughing-In Notes
 No change in measurements if connected with drain illustrated.

364

PRODUCT DIAGRAM