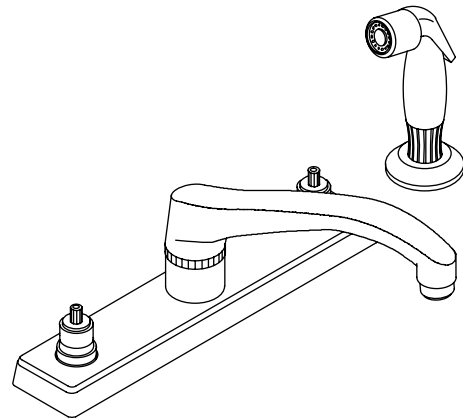


**KITCHEN SINK BASE FAUCET
K-7827-K
ALSO K-7825-K**

Features

- Brass construction
- Brass valve bodies
- Quarter-turn washerless ceramic disc valves
- For 8" (20.3 cm) centers
- Escutcheon plate
- 2.2 gpm (8.3 lpm) flow rate
- Lower flow aerator options are available (refer to the Kohler Price Book)
- Variety of handle style options
- Available with or without black handspray
- 8-1/8" (20.6 cm) swing spout



Codes/Standards Applicable

Specified model meets or exceeds the following:


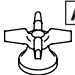
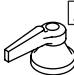

- IAPMO/UPC
- NSF 61
- Energy Policy Act of 1992 (EPACT)
- ASME A112.18.1/CSA B125.1
- ADA

Colors/Finishes

- CP: Polished Chrome

Specified Model:

Model	Description	Colors/Finishes
K-7825-K	Kitchen sink faucet without handspray	<input type="checkbox"/> CP
K-7827-K	Kitchen sink faucet with handspray	<input type="checkbox"/> CP

Required Accessories (Includes Two Handles)			 ADA	 ADA	 ADA
K-16010-2	Standard handles	<input type="checkbox"/> CP			
K-16010-3	Cross handles		<input type="checkbox"/> CP		
K-16010-4	Lever handles			<input type="checkbox"/> CP	
K-16010-5	Wristblade lever handles				<input type="checkbox"/> CP

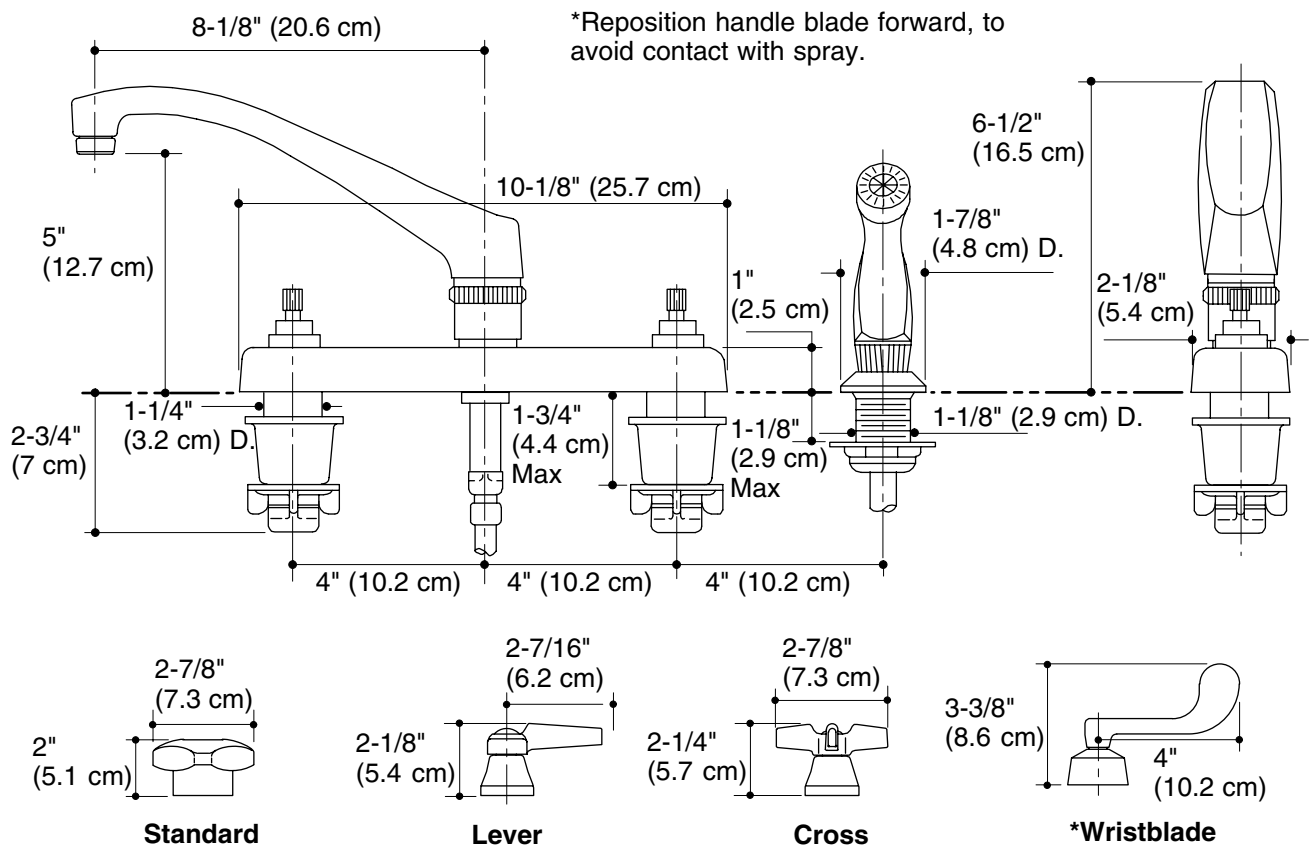
Product Specification

Two-handle kitchen sink base faucet shall be of brass construction. Faucet shall feature brass valve bodies. Faucet shall feature quarter-turn washerless ceramic disc valves, assuring positive handle stop positioning. Faucet shall be rated at 2.2 gallons (8.3 L) per minute. Product shall have lower flow aerator options. Product shall include 8" (20.3 cm) centers, a 8-1/8" (20.6 cm) swing spout, and escutcheon plate. Faucet is available with or without black handspray. Base faucet shall be Kohler Model K-_____-K-CP and handles shall be Kohler Model K-16010-_____-CP.

TRITON™

Installation Notes

Install this product according to the installation guide.



Product Diagram