

Features

- Metal construction
- Ceramic or metal lever handles
- 5-3/4" (14.6 cm) diverter bath spout with NPT or slip-fit connection
- Intended for use with Rite-Temp® or HiFlow Rite-Temp® valves
- Complements Bancroft® Suite

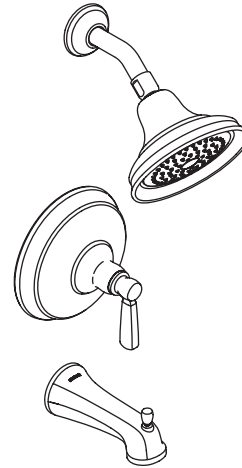
**BATH AND SHOWER FAUCET TRIM
K-T10581
ALSO K-T10582, K-T10583, K-T10584**

ADA

Codes/Standards Applicable

Specified model meets or exceeds the following:

- ASME A112.18.1
- CSA B125
- IAPMO/UPC
- ADA
- CSA International



Colors/Finishes

- CP: Polished Chrome
- Other: Refer to Price Book for additional colors/finishes

Accessories

- CP: Polished Chrome
- Other: Refer to Price Book for additional colors/finishes
- NA: None applicable

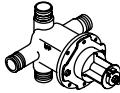
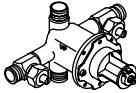
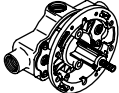
Specified Model

Model	Description	Colors/Finishes	
K-T10581-4	Bath and shower trim, metal lever handle, NPT spout (shown)	<input type="checkbox"/> CP	<input type="checkbox"/> Other ____
K-T10581-4P	Bath and shower trim, ceramic lever handle, NPT spout	<input type="checkbox"/> CP	<input type="checkbox"/> Other ____
K-T10582-4	Bath and shower trim, metal lever handle, slip-fit spout	<input type="checkbox"/> CP	<input type="checkbox"/> Other ____
K-T10582-4P	Bath and shower trim, ceramic lever handle, slip-fit spout	<input type="checkbox"/> CP	<input type="checkbox"/> Other ____
K-T10583-4	Shower only trim, metal lever handle	<input type="checkbox"/> CP	<input type="checkbox"/> Other ____
K-T10583-4P	Shower only trim, ceramic lever handle	<input type="checkbox"/> CP	<input type="checkbox"/> Other ____
K-T10584-4	Valve only trim, metal lever handle	<input type="checkbox"/> CP	<input type="checkbox"/> Other ____
K-T10584-4P	Valve only trim, ceramic lever handle	<input type="checkbox"/> CP	<input type="checkbox"/> Other ____

Product Specification

Rite-Temp® pressure-balancing single-control bath and shower faucet trim shall be of brass construction. Bath and shower trim shall include showerhead with arm and flange, 5-3/4" (14.6 cm) diverter spout with NPT connection, and faceplate with handle. Shower only trim shall include showerhead with arm and flange, and faceplate with handle. Valve only trim shall include faceplate with handle. Trim shall complement the Bancroft suite. Faucet trim shall be K-T_____-_____-_____- and Rite-Temp® valve shall be K-304-_____-NA OR K-306-KS-NA HiFlow Rite-Temp® valve.

BANCROFT®

Required Accessories				
K-304-K	Rite-Temp® valve without stops OR	<input type="checkbox"/> NA		
K-304-KS	Rite-Temp® valve with stops OR		<input type="checkbox"/> NA	
K-306-KS	HiFlow Rite-Temp® valve with integral stops OR			<input type="checkbox"/> NA
K-308-K	Non-pressure-balancing valve without stops OR	<input type="checkbox"/> NA		
K-308-KS	Non-pressure-balancing valve with stops		<input type="checkbox"/> NA	

Recommended Accessories			
K-10588	IPS diverter bath spout	<input type="checkbox"/> CP	<input type="checkbox"/> Other _____
K-10589	Slip-fit diverter bath spout	<input type="checkbox"/> CP	<input type="checkbox"/> Other _____
88526	HiFlow Rite-Temp® thin wall installation kit	<input type="checkbox"/> CP	<input type="checkbox"/> Other _____

Installation Notes

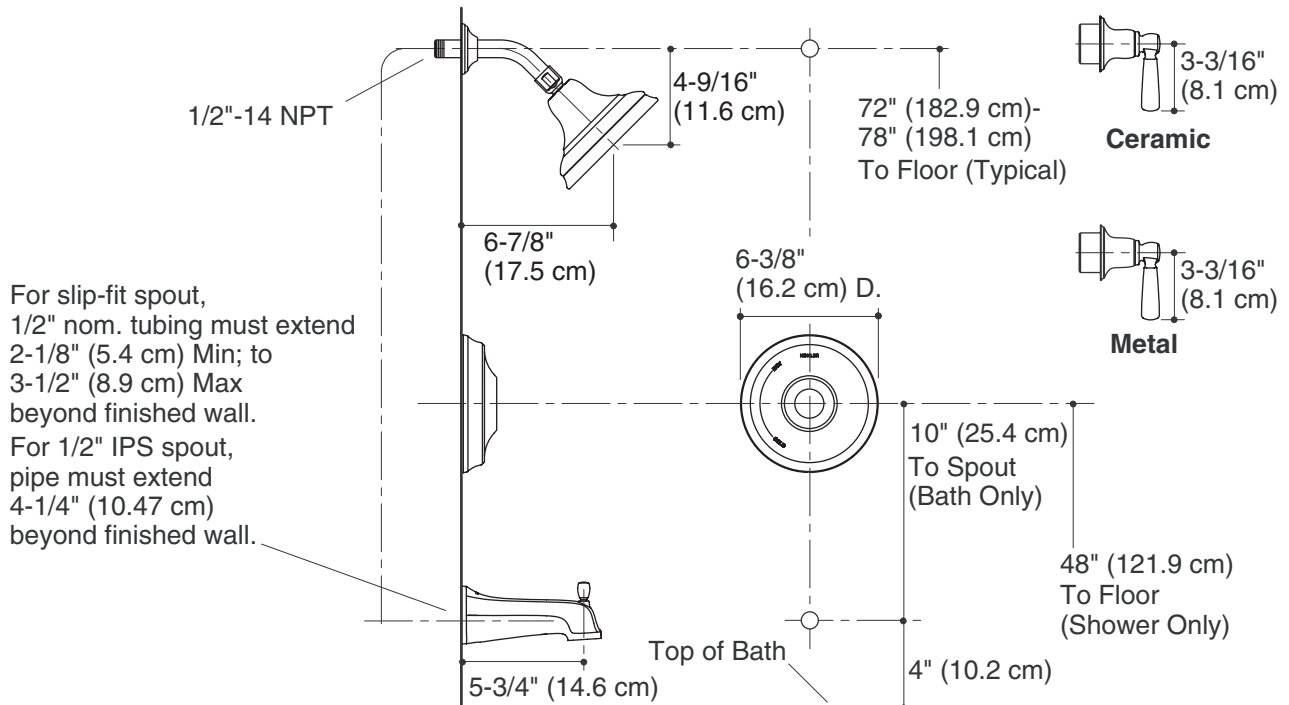


WARNING: Risk of damage to the K-306-KS valve assembly. When using the K-306-KS valve in a fiberglass or acrylic installation, use the thin wall installation kit (88526).

Install this product according to the installation guide.

Avoid cross-flow conditions. Do not install shut-off device on either valve outlet.

Install straight pipe or tube drop of 7" (17.8 cm) to 18" (45.7 cm) with single elbow between valve and wall-mount spout.



Product Diagram