

**REFINIA™ RITE-TEMP®**

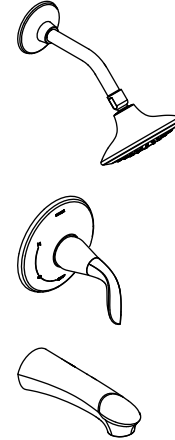
**BATH AND SHOWER VALVE TRIM**

**K-T5318**

**ALSO K-T5319, K-T5320**

**Features**

- Premium construction
- MasterClean™ spray nozzles prohibit mineral buildup for easy cleaning
- Push-button diverter on shower valve trim model [K-T5319]
- Intended for use with Rite-Temp® or HiFlow Rite-Temp® valves
- Heavy duty slip-fit clamp design and NPT threaded spout
- 2.0 gpm (7.6 lpm) showerhead with Katalyst™ Spray Technology



**Codes/Standards Applicable**

Specified model meets or exceeds the following:

- ASME A112.18.1/CSA B125.1

**Colors/Finishes**

- CP: Polished Chrome
- Other: Refer to Price Book for additional colors/finishes

**Accessories**

- NA: None applicable

**Specified Model**

Model	Description	Colors/Finishes	
K-T5318-4E	Bath and shower valve trim (shown)	<input type="checkbox"/> CP	<input type="checkbox"/> Other _____
K-T5319-4E	Shower valve trim with diverter button	<input type="checkbox"/> CP	<input type="checkbox"/> Other _____
K-T5320-4E	Shower valve trim, less diverter button	<input type="checkbox"/> CP	<input type="checkbox"/> Other _____

Required Accessories		
K-304-**	Rite-Temp® pressure-balancing valve	<input type="checkbox"/> NA
K-2971-**	HiFlow Rite-Temp valve with stops	<input type="checkbox"/> NA
K-11748-**	Rite-Temp valve with push-button diverter	<input type="checkbox"/> NA

\*\* For a complete listing of all the Rite-Temp valves, refer to the individual valve Specification sheet or Roughing-in Sheet.

**Product Specification**

Valve trim shall be made of premium construction. Product shall be intended for use with Rite-Temp or HiFlow Rite-Temp valves. Product shall feature MasterClean spray nozzles to prohibit mineral build-up for easy cleaning and 2.0 gpm (7.6 lpm) showerhead with Katalyst Spray Technology. Product shall have a push-button diverter on shower valve trim model [K-T5319,]. Product shall have heavy duty slip-fit clamp design and NPT threaded spout. Valve trim shall be Kohler Model K-T\_\_\_\_-4E-\_\_\_\_ and required Rite-Temp valve shall be K-\_\_\_\_-\_\_\_\_-NA.

# REFINIA™ RITE-TEMP®

## Optional Accessories

88526	Thin wall installation kit for K-2971-KS HiFlow Rite-Temp valve	<input type="checkbox"/>	<input type="checkbox"/> CP	<input type="checkbox"/> Other ____
1073881	Deep roughing-in kit for K-304 and K-2971 Rite-Temp valve	<input type="checkbox"/> NA		
1156950	Deep roughing-in kit for K-11748 Rite-Temp valve		<input type="checkbox"/> CP	<input type="checkbox"/> Other ____
K-45129	Shower arm and flange		<input type="checkbox"/> CP	<input type="checkbox"/> Other ____
K-5327	Diverter bath spout		<input type="checkbox"/> CP	<input type="checkbox"/> Other ____
K-5328	Non-diverter bath spout		<input type="checkbox"/> CP	<input type="checkbox"/> Other ____

## Installation Notes

Install the valve trim according to the installation guide.

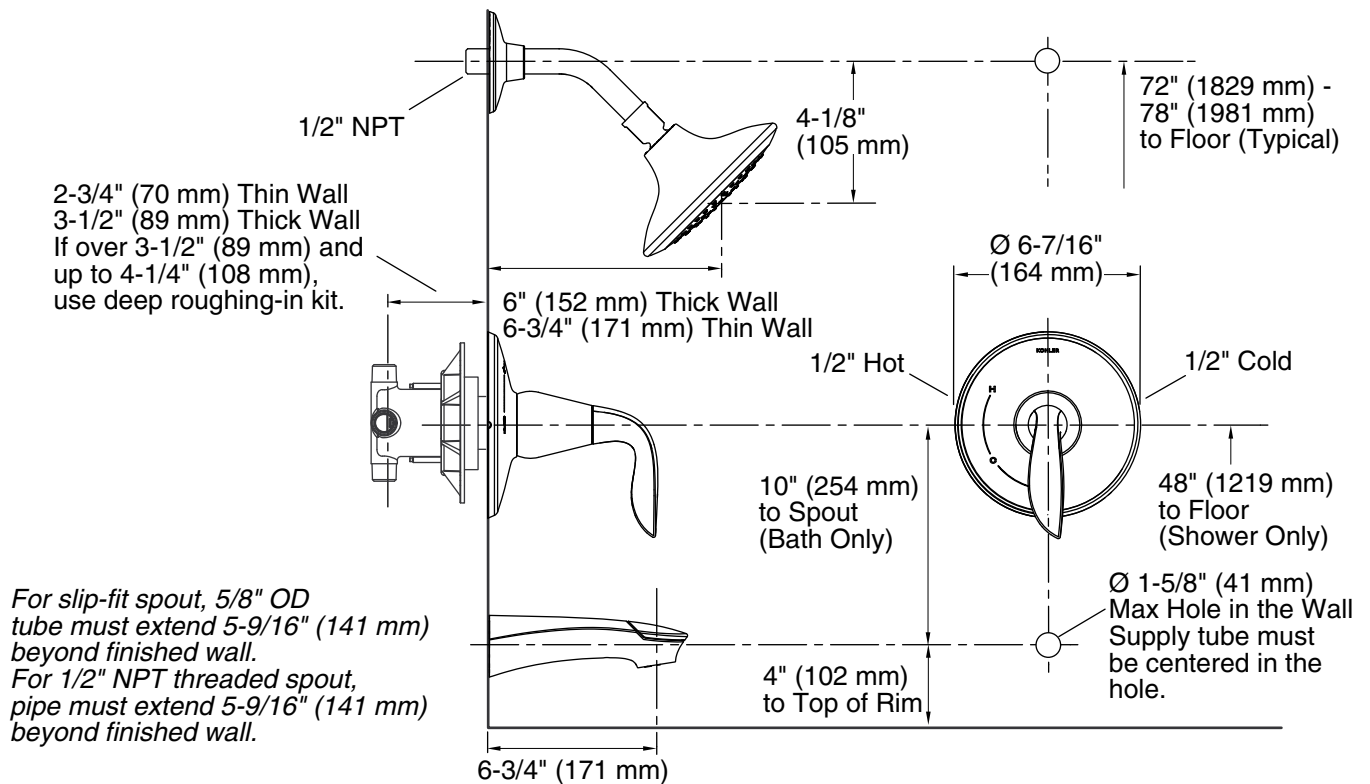
Install the Rite-Temp valve according to the installation guide.

**NOTICE: Risk of product damage.** Long screws, for installing trim, can damage the K-2971-KS valve. Consult the trim installation guide to verify if the thin wall installation kit (88526) is needed.

Avoid cross-flow conditions. Do not install a shut-off device on either valve outlet.

Cap the shower outlet if the deck-mounted spout, diverter, or handshower is connected to the spout outlet.

Install a 7" (178 mm) to 18" (457 mm) straight pipe or straight tube with single bath elbow between the valve and the wall-mount spout.



## Product Diagram