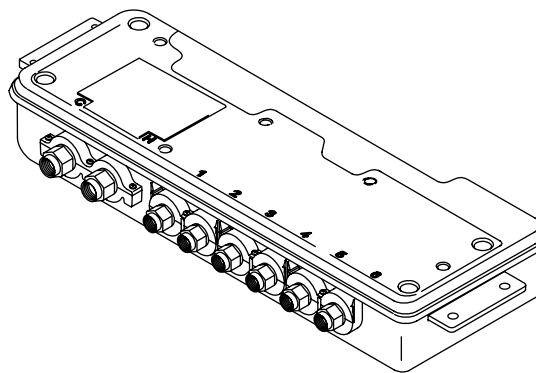


Features

- Digitally controlled
- Brass valve body
- High-flow valving
- Temperature-balancing mechanism
- Scald hazard prevention
- High-temperature limit setting for added safety
- Crossflow prevention
- Includes filter screens
- 3/4" NPT inlet connections
- 1/2" NPT outlet connections
- 6 independent water outlets
- Mounts within a standard 2x4 wall

SIX-PORT THERMOSTATIC VALVE K-682-K



Codes/Standards Applicable

Specified model meets or exceeds the following:

- ASME A112.18.1/CSA B125.1
- IAPMO/UPC
- ASSE 1016
- CSA C222 No. 218.2-93
- UL 1951
- FCC Part 15

Colors/Finishes

- NA: None applicable

Accessories:

- 1CP: Complements Chrome Finishes
- 1SN: Complements Nickel Finishes
- 1AF: Complements French Gold and Brushed Bronze

Specified Model

Model	Description	Colors/Finishes		
K-682-K	Six-port thermostatic valve	<input type="checkbox"/> NA		
Required Accessories				
K-683	Landscape digital interface OR	<input type="checkbox"/> 1CP	<input type="checkbox"/> 1SN	<input type="checkbox"/> 1AF
K-684	Portrait digital interface	<input type="checkbox"/> 1CP	<input type="checkbox"/> 1SN	<input type="checkbox"/> 1AF
Optional Accessories				
K-685	Landscape auxiliary digital interface	<input type="checkbox"/> 1CP	<input type="checkbox"/> 1SN	<input type="checkbox"/> 1AF
K-686	Portrait auxiliary digital interface	<input type="checkbox"/> 1CP	<input type="checkbox"/> 1SN	<input type="checkbox"/> 1AF

Product Specification:

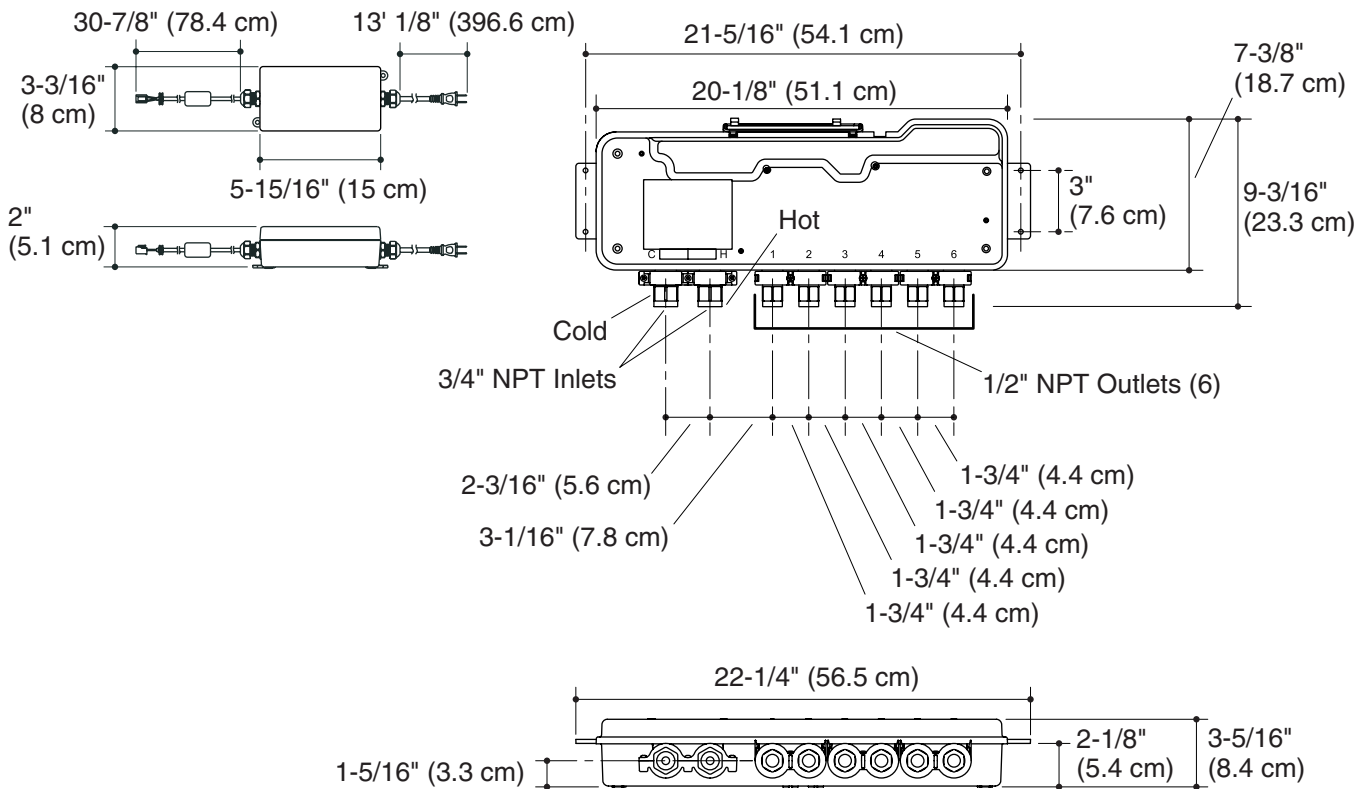
The digitally controlled thermostatic mixer valve body shall be of brass construction. Product shall feature high-flow valving, temperature-balancing and scald hazard prevention mechanisms, and a high-temperature limit setting for added safety. Product shall feature 6 independent water outlets. Product shall mount within a standard 2x4 wall. Product shall also feature filter screens, crossflow prevention, 3/4" NPT inlet and 1/2" NPT outlet connections. This product must be installed with a user interface of K-683 or K-684. A second auxiliary interface can be added, K-685 or K-686. The thermostatic mixer shall be Kohler Model K-682-K-NA.

Required Electrical Service

Dedicated circuit required, protected with Class A Ground-Fault Circuit-Interrupter (GFCI) or Earth-Leakage Circuit-Breaker (ELCB):
 Locate a 120 V outlet within close proximity to the valve.

Installation Notes

Install this product according to the installation guide.
 This valve should be used in shower systems only.
 Provide access for servicing valve.
 Use 3/4" supply lines for optimum performance.
 A hot water system equal to or greater than a first hour rating of 80 gallons (102 L) is recommended.
 Do not install this valve in walls exposed to subfreezing temperatures.
 Avoid mounting the valve in a wall adjacent to a frequently occupied room, such as a bedroom or living room.
 Pressure regulators are strongly recommended in applications where large pressure swings are anticipated or pressure differences between the supplies exist, such as commercial installations with separate hot and cold supply systems.
 Water hammer arrestors and shut-offs are required in both the hot and cold supplies.
 A 1/2" NPT plug must be installed in any unused outlet.
 A minimum 2" drain is recommended.



Product Diagram