

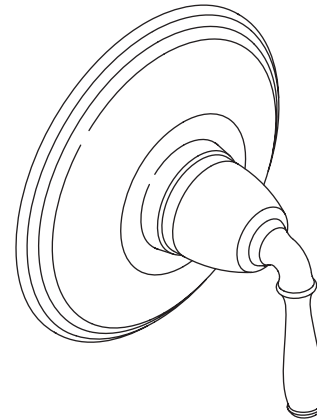
Features

- Brass construction
- Available with lever handle
- Front seal plate assembly
- Complements Devonshire® Suite
- Intended for use with Kohler valves

Codes/Standards Applicable

Specified model meets or exceeds the following:

- ASME 112.18.1/CSA B125
- IAPMO/cUPC
- ADA



Colors/Finishes

- CP: Polished Chrome
- Other: Refer to Price Book for additional colors/finishes
- NA: None applicable

Specified Model

Model	Description	Colors/Finishes	
K-T10357-4	Thermostatic valve trim	<input type="checkbox"/> CP	<input type="checkbox"/> Other ____
K-T10358-4	Volume control valve trim	<input type="checkbox"/> CP	<input type="checkbox"/> Other ____

Required Valve		
K-669-KS	3/4" thermostatic valve	<input type="checkbox"/> NA
K-671-K	3/4" volume control valve	<input type="checkbox"/> NA
K-679-KS	1/2" thermostatic valve	<input type="checkbox"/> NA
K-681-K	1/2" volume control valve	<input type="checkbox"/> NA

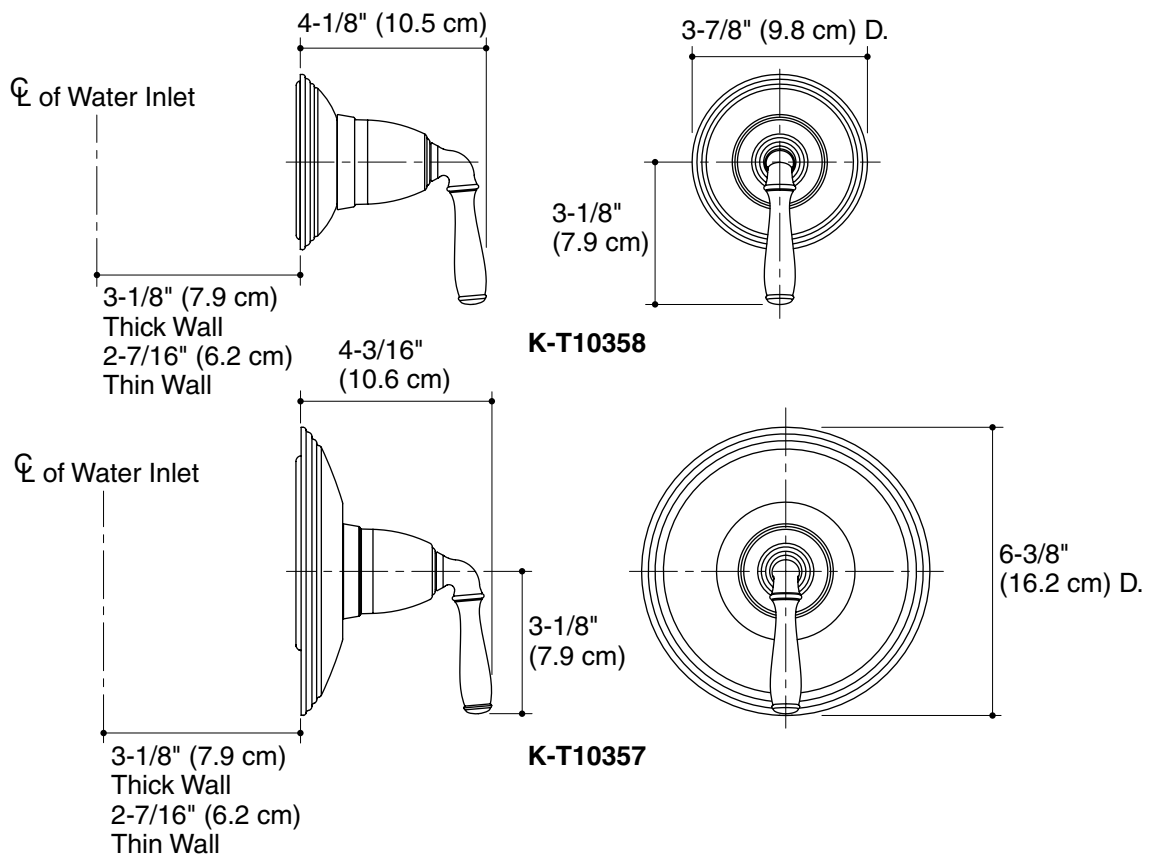
Product Specification

Thermostatic faucet trim shall be of brass construction. Trim shall include front seal plate assembly. Product shall be available with lever handle. Trim shall complement the Devonshire Suite. Faucet trim shall be Kohler Model K-T____-4-____ and required valving shall be K-____-____-NA.

DEVONSHIRE®

Installation Notes

Install this product according to the installation guide.



Product Diagram