

**INDEPENDENT SIDESPRAY
K-7344**

ADA

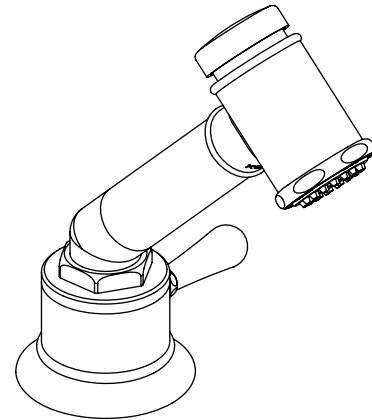
Features

- *Stainless steel construction*
- *90° progressive valve*
- *Spray pause function*
- *ADA compliant lever handle*
- *Promotion™ technology with nylon hose and ball joint for easy operation*
- *Flexible connections for easy installation*
- *4-3/16" (10.6 cm) spout reach*
- *2.2 gallons (8.3 L) per minute maximum flow rate*

Codes/Standards Applicable

Specified model meets or exceeds the following at date of manufacture:

- *ADA*
- *ASME A112.18.1/CSA B125.1*
- *ICC/ANSI A117.1*
- *NSF 61*
- *All applicable US Federal and State material regulations*



Colors/Finishes

- BS: Brushed Stainless Steel
- S: Polished Stainless Steel

Accessories

- BS: Brushed Stainless Steel
- S: Polished Stainless Steel

Specified Model

Model	Description	Color/Finish	
K-7344-4	Independent sidespray	<input type="checkbox"/> BS	<input type="checkbox"/> S
Recommended Accessories			
K-7346	Soap/lotion dispenser	<input type="checkbox"/> BS	<input type="checkbox"/> S

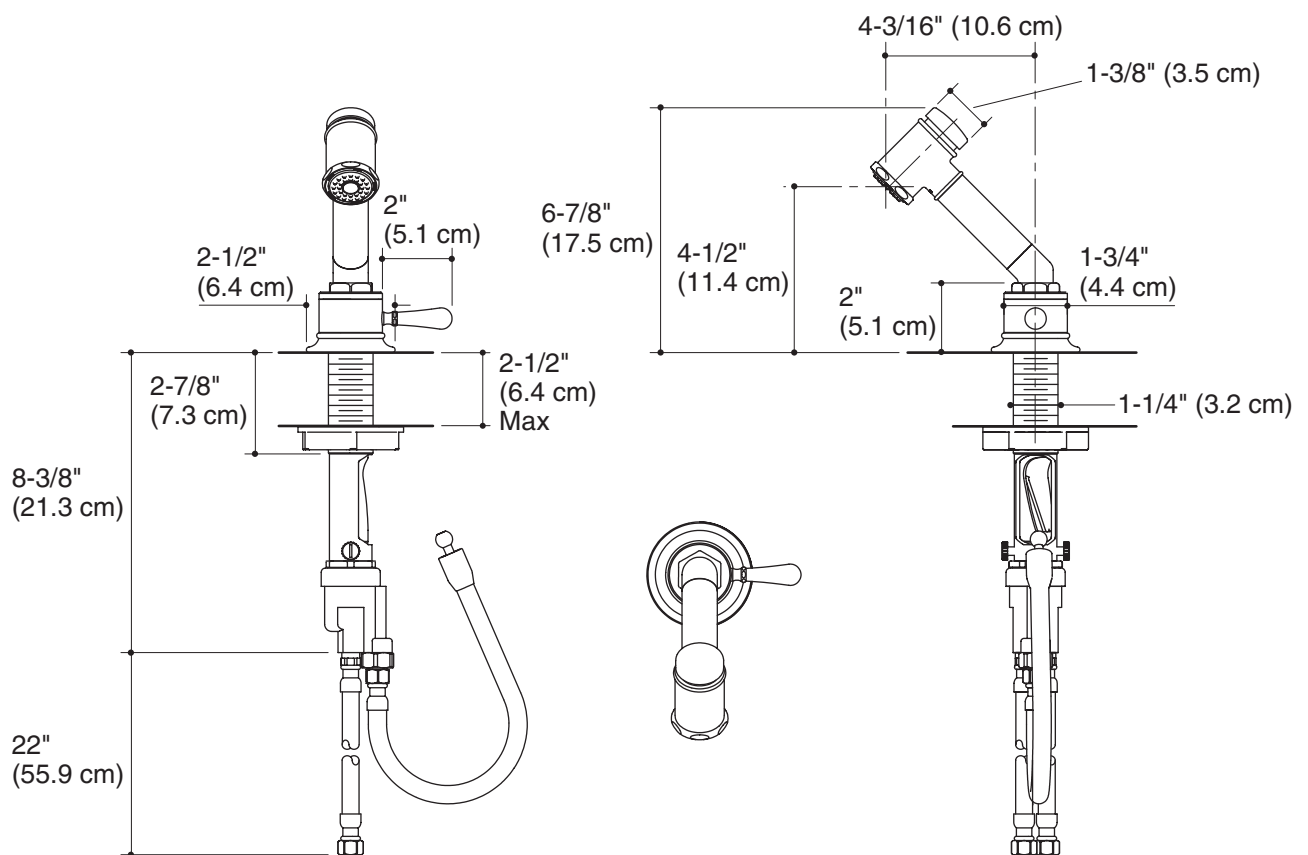
PRODUCT SPECIFICATION

The independent sidespray shall be of stainless steel construction. Product shall feature a maximum flow rate of 2.2 gallons (8.3 L) per minute. Product shall feature an ADA compliant lever handle, 4-3/16" (10.6 cm) spout reach, spray pause function, 90° progressive valve, and flexible connections for easy installation. Product shall feature Promotion technology with nylon hose and ball joint for easy operation. Independent sidespray shall be Kohler Model K-7344-4-_____.

HIRISE™

Installation Notes

Install this product according to the installation guide.



Product Diagram