

**BATH/SHOWER FAUCET TRIM
K-T13133**

ADA

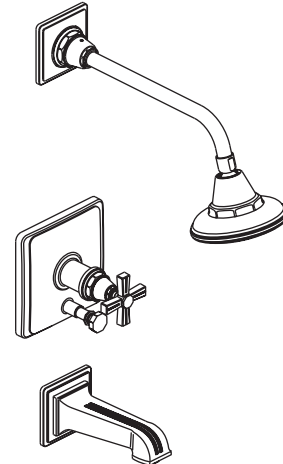
Features

- Metal construction
- Wall-mount bath and shower faucet
- For use with valves with a diverter
- Available with cross or lever handles

Codes/Standards Applicable

Specified model meets or exceeds the following:

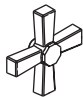
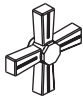


- ASME A112.18.1
- CSA B125
- IAPMO/UPC
- ADA



Colors/Finishes

- CP: Polished Chrome
- Other: Refer to Price Book for additional colors/finishes

Specified Model

Model	Description	 ADA	 ADA	 ADA	 ADA
K-T13133-3A*	Bath and shower diverter trim with plain cross handles and plain spout	<input type="checkbox"/> CP <input type="checkbox"/> Other			
K-T13133-3B*	Bath and shower diverter trim with grooved cross handles and grooved spout		<input type="checkbox"/> CP <input type="checkbox"/> Other		
K-T13133-4A*	Bath and shower diverter trim with plain lever handles and plain spout			<input type="checkbox"/> CP <input type="checkbox"/> Other	
K-T13133-4B*	Bath and shower diverter trim with grooved lever handles and grooved spout				<input type="checkbox"/> CP <input type="checkbox"/> Other

* Requires K-305-K or K-305-KS valve

Product Specification

Rite-Temp pressure-balancing single-control bath and shower faucet trim shall be of metal construction. Bath and shower trim shall include showerhead with arm and flange, 6-7/8" (17.5 cm) spout with NPT connection, and faceplate with handle and diverter button. Faucet trim shall be K-_____-_____-_____- and Rite-Temp valve shall be K-305-_____-NA.

PINSTRIBE™

Technical Information

Mexico faucets and fittings have an M after the first sequence of numbers (such as K-12345 M).	
Applicable faucet trim:	
Bath and shower diverter trim with plain cross handles and plain spout	K-T13133-3A
Bath and shower diverter trim with grooved cross handles and grooved spout	K-T13133-3B
Bath and shower diverter trim with plain lever handles and plain spout	K-T13133-4A
Bath and shower diverter trim with grooved lever handles and grooved spout	K-T13133-4B

Applicable valve*:	
Rite-Temp valve, with diverter, without stops	K-305-K
Rite-Temp valve, without diverter, with stops	K-305-KS
*Valve system required (not shown).	
Handle is ADA compliant	ADA

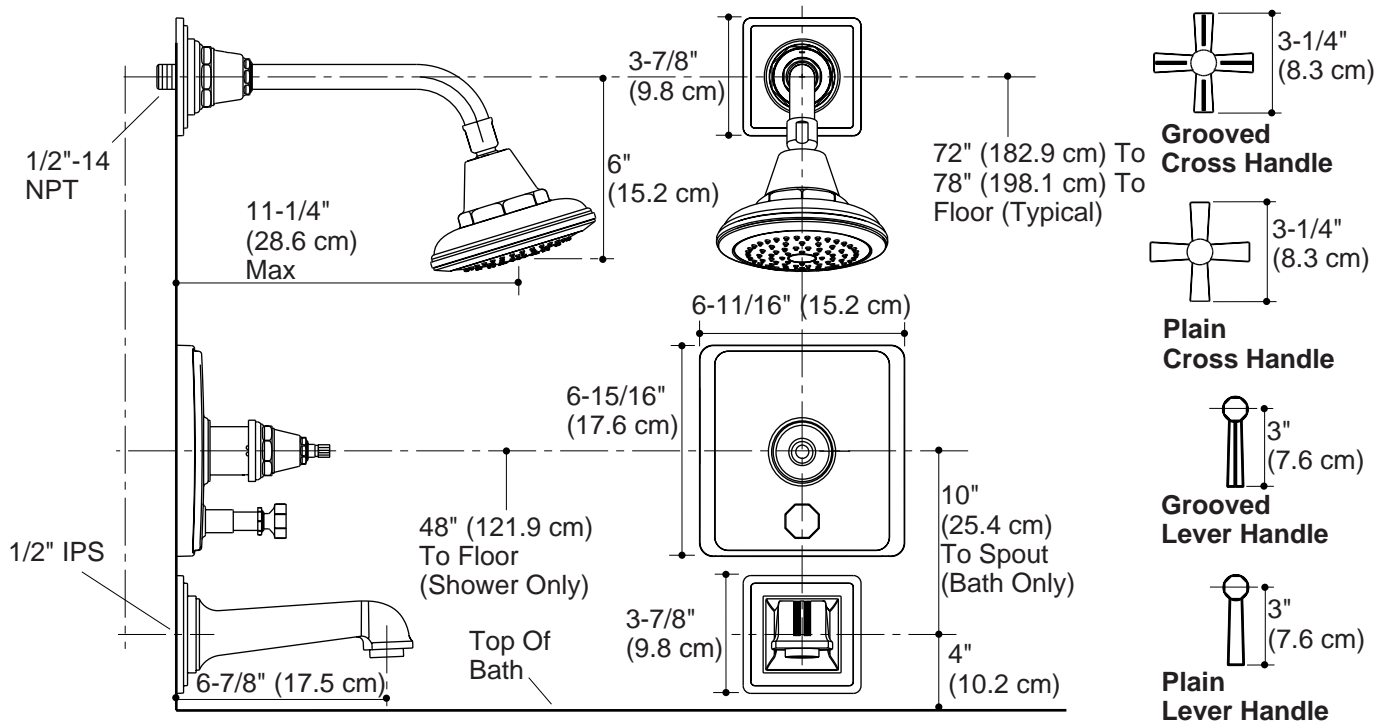
Installation Notes

Install this product according to the installation guide.

Avoid cross-flow conditions. Do not install shut-off device on either valve outlet.

Cap shower outlet if deck-mount spout, diverter, or handshower is connected to spout outlet.

Install straight pipe or tube drop of 7" (17.8 cm) to 18" (45.7 cm) with single elbow between valve and wall-mount spout.



Product Diagram