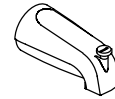
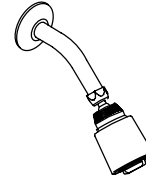


**FEATURES**

- Metal construction
- Available with 4-7/8" (12.4cm) diverter bath spout with N.P.T. or slip-fit connection
- Lever handle

**BATH AND SHOWER FAUCET TRIM  
K-T15601**

**ALSO K-304, K-306-KS, K-308**



**CODES/STANDARDS APPLICABLE**

Specified model meets or exceeds the following:

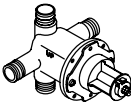
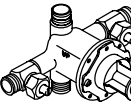
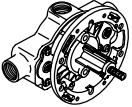
- ASME/ANSI A112.18.1M
- CSA International B125
- IAPMO/UPC listed

**COLORS/FINISHES**

- CP Polished Chrome
- PB Polished Brass
- Other Refer to Faucets Price Book for additional finishes

**SPECIFIED MODEL:** For complete faucet, both faucet trim and mixing valve must be specified.

Model	Description			
K-T15601-4	With Lever Handle and N.P.T. Spout	<input type="checkbox"/> CP		
K-T15601-4S	With Lever Handle and Slip-Fit Spout	<input type="checkbox"/> CP	<input type="checkbox"/> PB	<input type="checkbox"/> Other_____

Required Accessory				
K-304-K	Rite-Temp Valve Without Stops	<input type="checkbox"/> NA		
K-304-KS	Rite-Temp Valve With Stops		<input type="checkbox"/> NA	
K-306-KS	HiFlow Rite-Temp Valve With Integral Stops			<input type="checkbox"/> NA
K-308-K	Non-Pressure Balancing Valve Without Stops	<input type="checkbox"/> NA		
K-308-KS	Non-Pressure Balancing Valve With Stops		<input type="checkbox"/> NA	

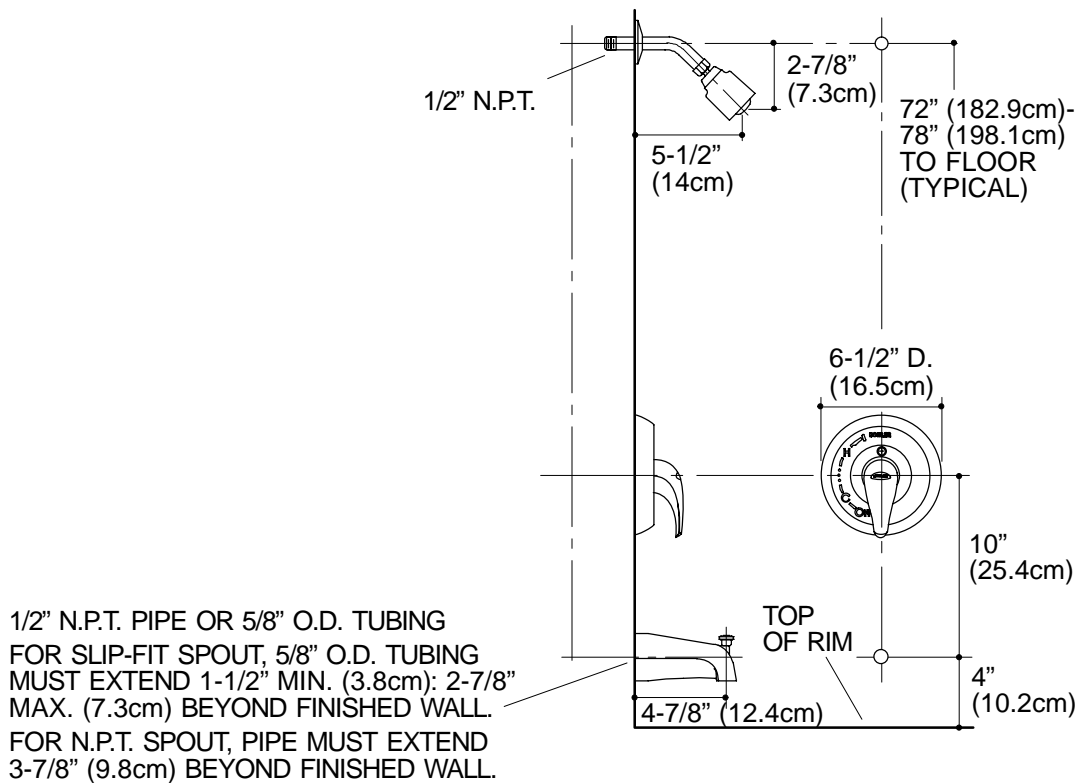
**PRODUCT SPECIFICATION:**  
 Single-control bath and shower faucet trim shall be of metal construction. Product shall include showerhead with arm and flange, faceplate with lever handle, and 4-7/8" (12.4cm) diverter bath spout with N.P.T. or slip-fit connection. Faucet trim shall be Kohler Model K-T15601-\_\_\_\_\_-\_\_\_\_\_-\_\_\_\_\_- and mixing valve shall be Kohler Model K-\_\_\_\_\_-\_\_\_\_\_-\_\_\_\_\_-NA.

## INSTALLATION NOTES

Avoid cross-flow conditions. Do not install shut-off device on either valve outlet.

Cap shower outlet if deck-mount spout, diverter, or handshower is connected to spout outlet.

Install straight pipe or tube drop of 7" (17.8cm) to 18" (45.7cm) with single elbow between valve and wall-mount spout.



332

## PRODUCT DIAGRAM