

FEATURES

- Metal construction
- Lever handle

VALVE TRIM

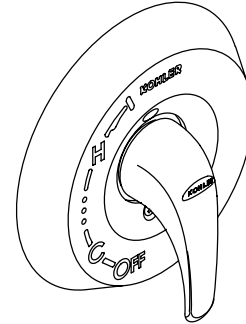
K-T15621

ALSO K-304, K-306-KS, K-308

CODES/STANDARDS APPLICABLE

Specified model meets or exceeds the following:

- ASME/ANSI A112.18.1M
- CSA International B125
- IAPMO/UPC listed

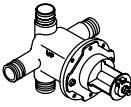
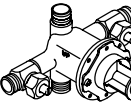
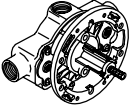


COLORS/FINISHES

- CP Polished Chrome
- PB Polished Brass

SPECIFIED MODEL: For complete faucet, both faucet trim and mixing valve must be specified.

Model	Description		
K-T15621-4	With Lever Handle	<input type="checkbox"/> CP	<input type="checkbox"/> PB

Required Accessory				
K-304-K	Rite-Temp Valve Without Stops	<input type="checkbox"/> NA		
K-304-KS	Rite-Temp Valve With Stops		<input type="checkbox"/> NA	
K-306-KS	HiFlow Rite-Temp Valve With Integral Stops			<input type="checkbox"/> NA
K-308-K	Non-Pressure Balancing Valve Without Stops	<input type="checkbox"/> NA		
K-308-KS	Non-Pressure Balancing Valve With Stops		<input type="checkbox"/> NA	

PRODUCT SPECIFICATION:

Single-control valve trim shall be of metal construction. Product shall include faceplate with lever handle. Valve trim shall be Kohler Model K-T15621-4-_____ and mixing valve shall be Kohler Model K-_____-_____-NA.

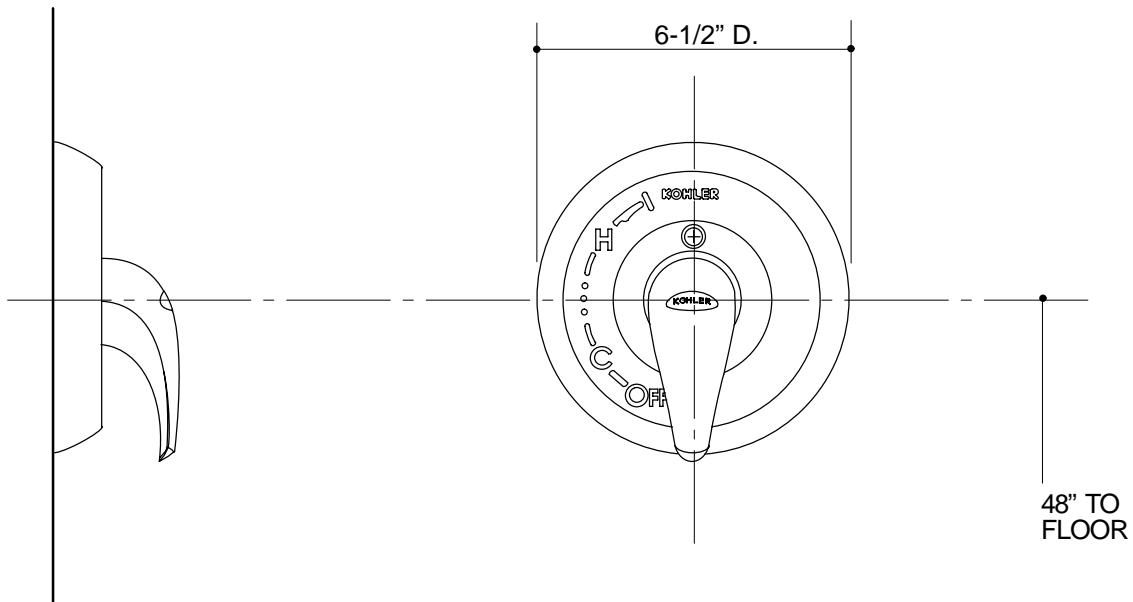
CORALAIS™

INSTALLATION NOTES

Avoid cross-flow conditions. Do not install shut-off device on either valve outlet.

Cap shower outlet if deck-mount spout, diverter, or handshower is connected to spout outlet.

Install straight pipe or tube drop of 7 to 18" with single elbow between valve and wall-mount spout.



PRODUCT DIAGRAM