

### Product Information

Applicable product:	
Bath and shower valve trim – NPT diverter spout (shown)	K-T395-4E
Bath and shower valve trim – slip-fit diverter spout	K-T395-4SE
Shower valve trim	K-T396-4E
Rite-Temp valve must be ordered to complete faucet.	

Applicable bath spout:	
Non-diverter bath spout	K-373
Slip-fit non-diverter bath spout	K-373-S
Non-diverter bath spout	K-389
Slip-fit diverter bath spout	K-389-S

Required Accessories:	
Rite-Temp valve <b>OR</b>	K-304-*
HiFlow Rite-Temp valve with stops	K-2971-KS
For a complete listing of all the Rite-Temp valves, refer to the K-304-* Specification sheet or Roughing-in sheet.	

### Installation Notes

Install this product according to the installation guide.

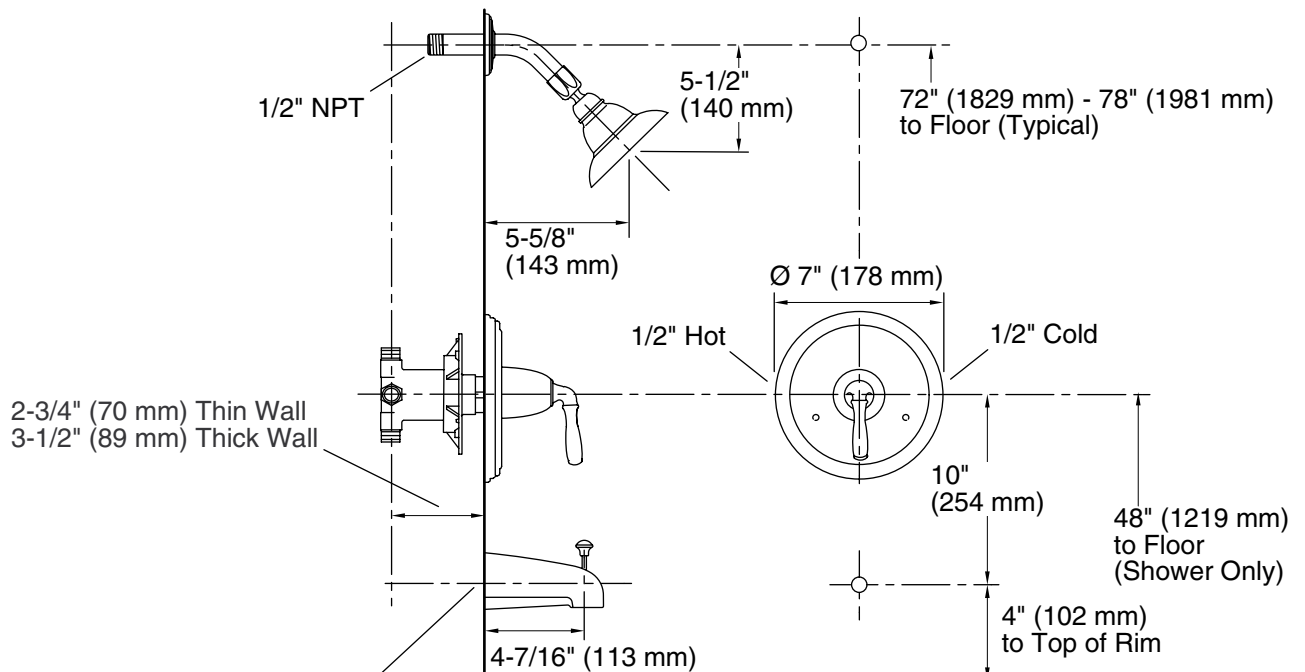
Install the Rite-Temp® valve according to the valve installation guide.

**NOTICE: Risk of product damage.** Long screws, for installing trim, can damage the K-2971-KS valve. Consult the trim installation guide to verify if the thin wall installation kit (88526) is needed.

Avoid cross-flow conditions. Do not install shut-off device on either valve outlet.

Cap shower outlet if deck-mounted spout, diverter, or handshower is connected to the spout outlet.

Install straight pipe or tube drop of 7" (178 mm) to 18" (457 mm) with single elbow between valve and wall-mount spout.



*For slip-fit spout, 5/8" OD tube must extend 1-1/2" (38 mm) min to 2-7/8" (73 mm) max beyond the finished wall.  
For 1/2" NPT spout, pipe must extend 3-3/4" (95 mm) beyond the finished wall.*

Complete bath and shower faucet with Rite-Temp valve and slip-fit diverter spout shown.