

### LAVATORY FAUCET **K-8215-K** ALSO K-8215

ADA

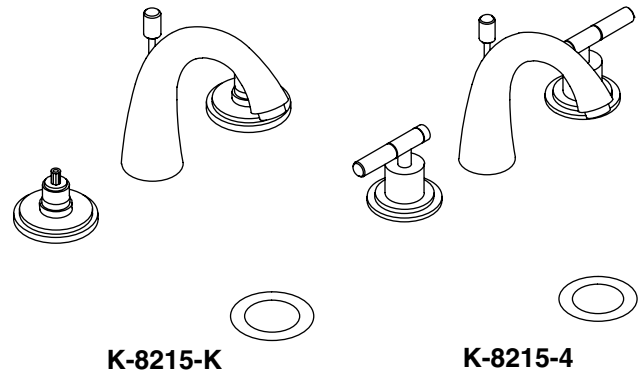
#### Features

- Brass construction
- Brass valve bodies
- Quarter-turn washerless ceramic disc valves
- Pop-up drain with lift rod and tailpiece
- Flexible connections for easy installation
- 2 gallons (7.5 L) per minute
- Lower flow aerator options are available (refer to the Kohler Price Book)
- Variety of handle style options
- 5" (12.7 cm) high-arch spout

#### Codes/Standards Applicable

Specified model meets or exceeds the following:

- ASME A112.18.1/CSA B125.1
- Energy Policy Act of 1992 (EPACT)
- NSF 61
- ADA





#### Colors/Finishes

- CP: Polished Chrome
- PB: Polished Brass
- Other: Refer to Price Book for additional colors/finishes

#### Specified Model

For complete faucet, both base faucet and handles must be specified.

Model	Description	Colors/Finishes
K-8215-K	Lavatory base faucet without handles	<input type="checkbox"/> CP <input type="checkbox"/> PB
K-8215-4	Lavatory complete faucet with lever handles	<input type="checkbox"/> Other _____

Required Accessory (Includes Two Handles)		 ADA	 ADA
K-16070-4	Lever handles	<input type="checkbox"/> CP <input type="checkbox"/> PB	
K-16070-4A	Swirl handles		<input type="checkbox"/> CP <input type="checkbox"/> PB
K-16070-4C	Vandal-proof lever handles and aerator	<input type="checkbox"/> CP <input type="checkbox"/> PB	

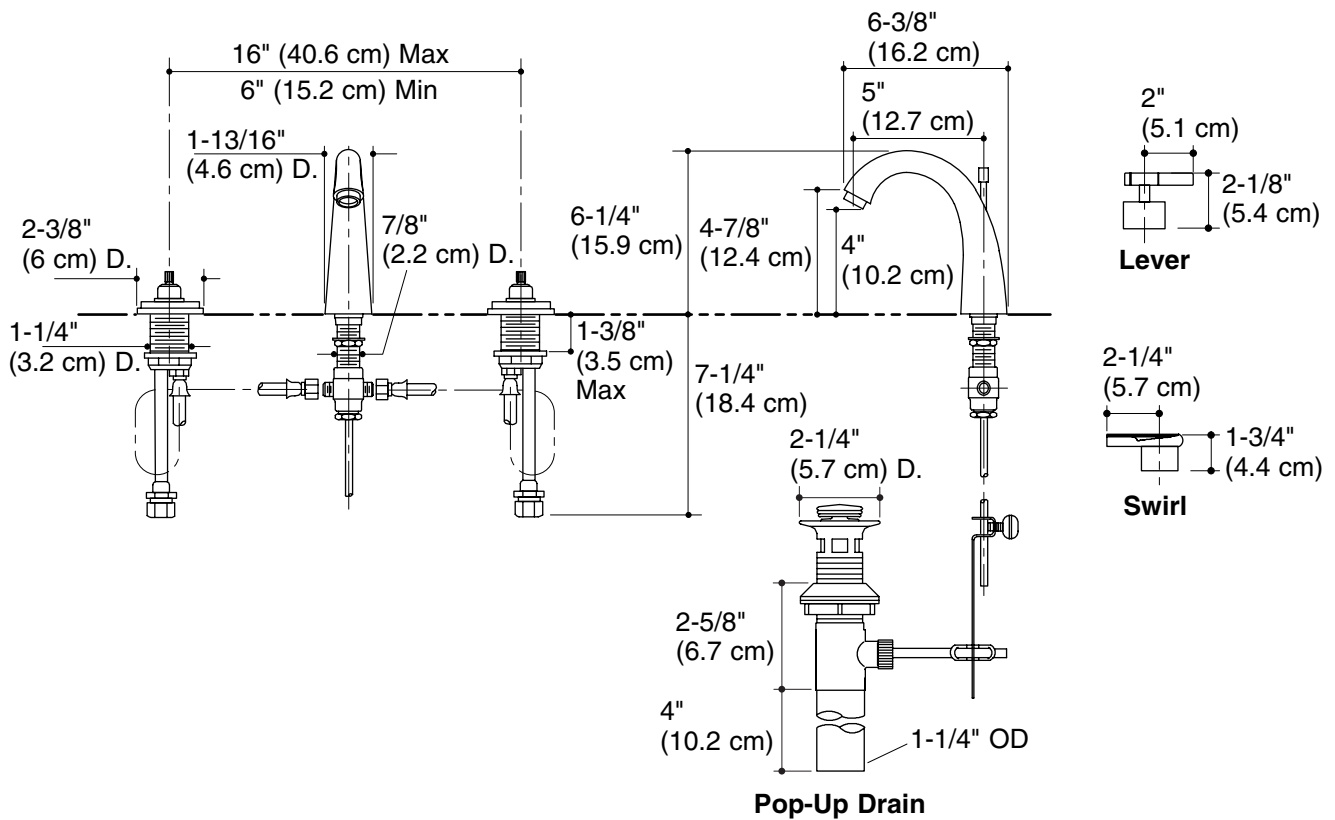
#### Product Specification

Two-handle widespread lavatory faucet shall be of brass construction. Faucet shall feature brass valve bodies. Faucet shall feature quarter-turn washerless ceramic disc valves, assuring positive handle stop positioning. Faucet shall be rated at 2.0 gallons (7.5 L) per minute. Faucet shall have lower flow aerator options. Faucet shall include 5" (12.7 cm) high-arch spout, flexible connections, pop-up drain with lift rod and tailpiece, and handles. Base faucet shall be Kohler Model K-8215-K-\_\_\_\_\_ with K-16070-\_\_\_\_\_-\_\_\_\_\_ handles **OR** complete faucet shall be Kohler Model K-8215-4-\_\_\_\_\_.

# TABORET®

## Installation Notes

Install this product according to the installation guide.  
Valve inlets accommodate 1/2" OD tubing for slip joint connections.



## Product Diagram