

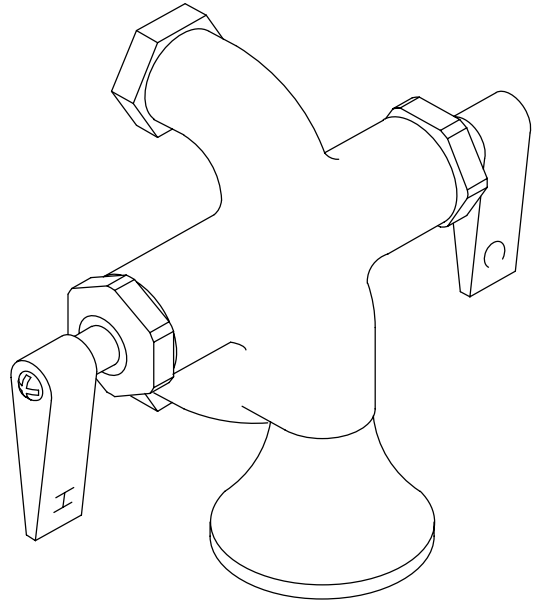
FEATURES

- Brass construction
- Brass valve bodies
- Valvet® valves
- Rosespray
- Lever handles

CODES/STANDARDS APPLICABLE

Specified model meets or exceeds the following:

- ASME/ANSI A112.18.1M
- CSA B125
- IAPMO/UPC



COLORS/FINISHES

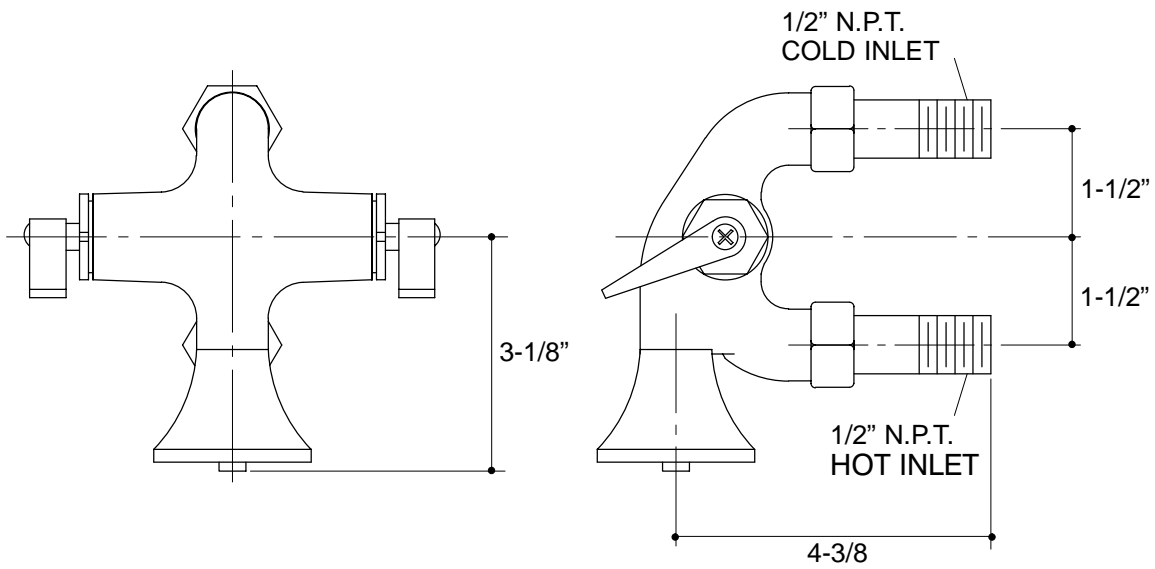
- RP Rough Plate

SPECIFIED MODEL:

Model	Description	
K-8888	Calder Wash Sink Faucet	<input type="checkbox"/> RP

PRODUCT SPECIFICATION:

Two-handle wash sink faucet shall be of brass construction. Faucet shall feature brass valve bodies. Faucet shall also feature Valvet valves. Product shall include rosespray, lever handles, and external N.P.T. connections. Faucet shall be Kohler Model K-8888-RP.



PRODUCT DIAGRAM