

**SERVICE SINK FAUCET  
K-8924**

ADA

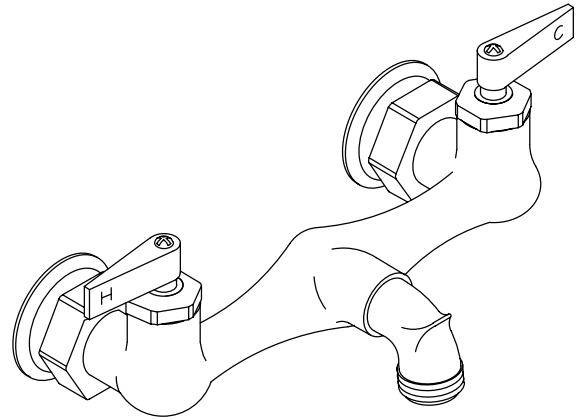
**FEATURES**

- Brass construction
- For 8" centers
- Brass valve bodies
- Valvet® valves
- 2" threaded spout for hose connection
- Internal N.P.T. connections
- 4-5/8" wall-to-spout outlet
- Lever handles
- Pail hook

**CODES/STANDARDS APPLICABLE**

Specified model meets or exceeds the following:

- ASME/ANSI A112.18.1M
- CSA B125



**COLORS/FINISHES**

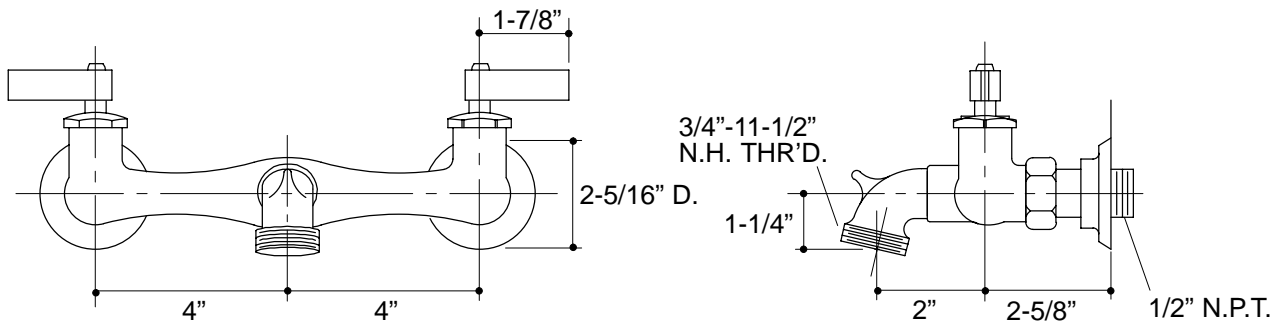
- CP Polished Chrome
- RP Rough Plate

**SPECIFIED MODEL:**

| Model  | Description                  |                             |                             |
|--------|------------------------------|-----------------------------|-----------------------------|
| K-8924 | Knoxford Service Sink Faucet | <input type="checkbox"/> CP | <input type="checkbox"/> RP |

**PRODUCT SPECIFICATION:**

Two-handle service sink faucet shall be of brass construction. Faucet shall also feature Valvet valves. Product shall include 8" centers, 2" threaded spout for hose connection, 4-5/8" wall-to-spout outlet, lever handles, pail hook, and internal N.P.T. connections. Faucet shall be Kohler Model K-8924--\_\_\_\_\_.



**PRODUCT DIAGRAM**