

**BATH FAUCET TRIM**  
**K-T12885-4**  
**ALSO K-300-K**

**ADA**

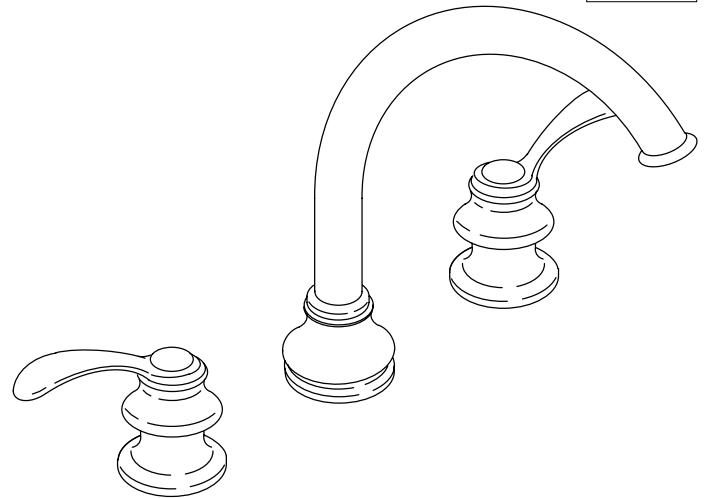
**FEATURES**

- Brass construction
- Bath- or Deck-mount
- 8-7/8" high-arch non-diverter spout with slip-fit connection
- Lever handles

**CODES/STANDARDS APPLICABLE**

Specified model meets or exceeds the following:

- ASME/ANSI A112.18.1M
- CSA B125
- IAPMO/UPC



**COLORS/FINISHES**

- CP Polished Chrome
- PB Polished Brass
- Other Refer to Faucets Price Book for additional finishes

**SPECIFIED MODEL:** For complete faucet, both faucet trim and valve system must be specified.

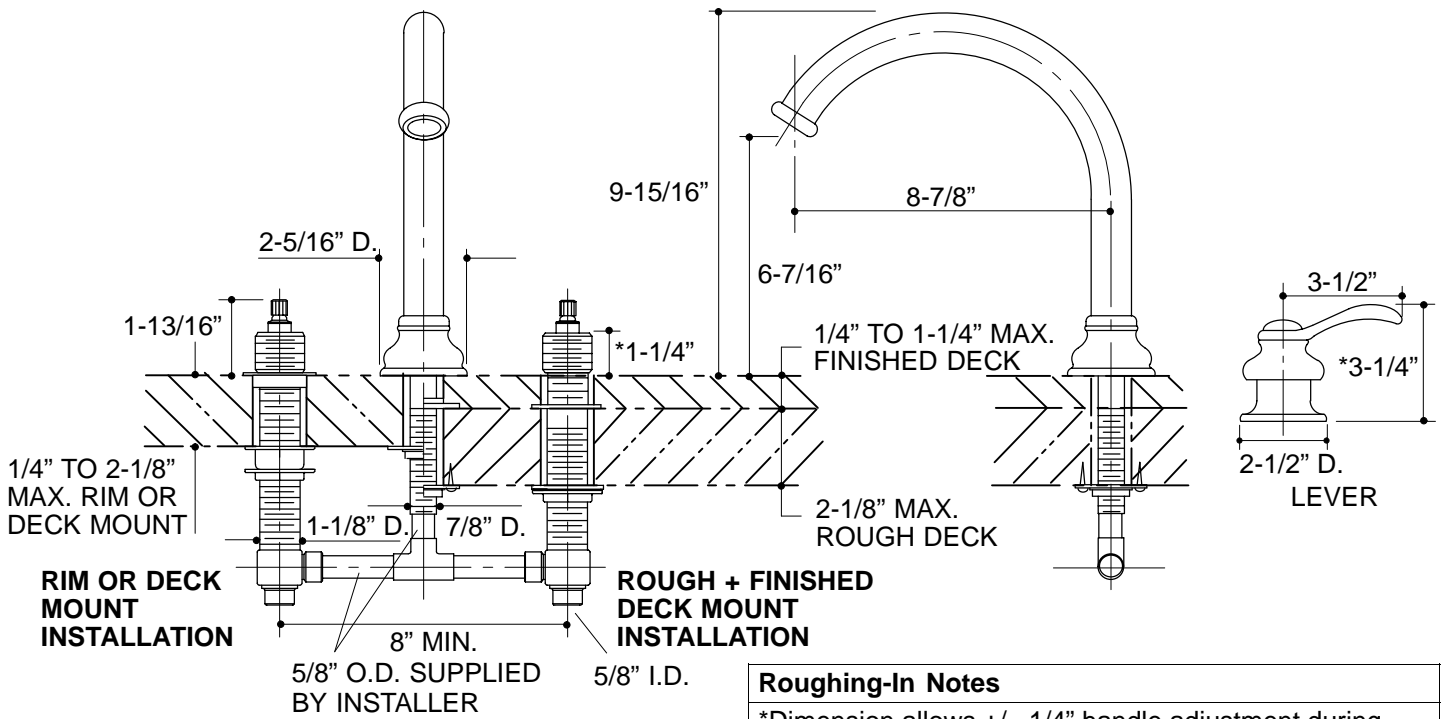
Model	Description	<input type="checkbox"/> CP	<input type="checkbox"/> PB	<input type="checkbox"/> Other____
K-T12885-4	Fairfax Bath- or Deck-Mount High-Flow Bath Faucet Trim	<input type="checkbox"/>	<input type="checkbox"/>	<input type="checkbox"/>
<b>Required Accessory</b>				
K-300-K	1/2" High-Flow Ceramic Disc Valve System	<input type="checkbox"/> NA		

**Optional Accessory on Page 2.**

**PRODUCT SPECIFICATION:**

Two-handle bath- or deck-mount high-flow bath faucet trim shall be of brass construction. Product shall include 8-7/8" high-arch non-diverter spout with slip-fit connection, and lever handles. Faucet trim shall be Kohler Model K-T12885-4-\_\_\_\_\_ and valve system shall be Kohler Model K-300-K-NA.

<b>Optional Accessory</b>		
K-12003	Plug Button Set	<input type="checkbox"/> Other _____



**Roughing-In Notes**  
 \*Dimension allows +/- 1/4" handle adjustment during handle trim installation.

316

## PRODUCT DIAGRAM