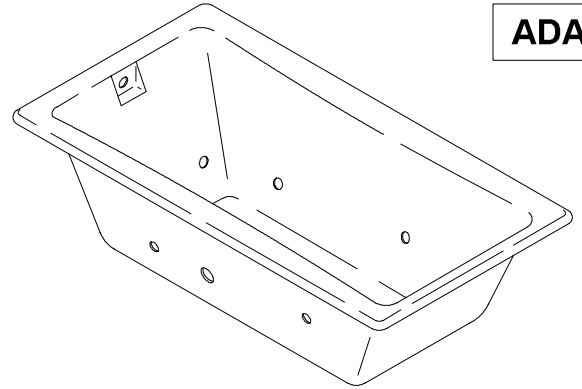


### 5' CUSTOM BATH WHIRLPOOL

## K-852-HB/-HE

ADA



### FEATURES

- 60" (152.4cm) x 32" (81.3cm) x 18-1/4" (46.4cm)
- Cast iron with Safeguard® slip-resistant finish
- 1.5 hp variable speed pump with 1.5 kW heater, and back-lit user control
- 6 Flexjets
- UL Listed
- ADA compliant when installed with seat at head end
- LESS ALL TRIM
- Custom pump locations

### CODES/STANDARDS APPLICABLE

Specified model meets or exceeds the following:

- ADA
- ASME/ANSI A112.19.1M
- ASME/ANSI A112.19.7M
- IAPMO/UPC
- Underwriters Laboratories (UL)

### COLORS/FINISHES

- 0 White
- Other Refer to Price Book for additional colors

#### Accessories:

- CP Polished Chrome
- PB Polished Brass
- Other Refer to Price Book for additional finishes
- NA None Applicable

### SPECIFIED MODEL:

Model	Description	Colors/Finishes	
K-852-HB	Whirlpool, custom pump (shown)	<input type="checkbox"/> 0 White	<input type="checkbox"/> Other _____
K-852-HE	Whirlpool, custom pump (top view shown)	<input type="checkbox"/> 0 White	<input type="checkbox"/> Other _____

Required Accessories				
K-9696	Jet trim kit	<input type="checkbox"/> CP	<input type="checkbox"/> PB	<input type="checkbox"/> Other _____
K-7169-AF	Drain	<input type="checkbox"/> CP	<input type="checkbox"/> PB	<input type="checkbox"/> Other _____
Optional Accessories				
K-586	Undermount installation kit (template and installation instructions)			<input type="checkbox"/> NA
K-1179	Vinyl tiling-in bead (use when wall material contacts any top surface of bath)			<input type="checkbox"/> NA
K-1491	Pillow	<input type="checkbox"/> 0 White	<input type="checkbox"/> Other _____	
K-1601	Footstop	<input type="checkbox"/> 0 White	<input type="checkbox"/> Other _____	
K-1172	Adjustable feet			<input type="checkbox"/> NA
K-1703	Remote control			<input type="checkbox"/> NA

### PRODUCT SPECIFICATION:

The bath whirlpool shall be 60" (152.4cm) in length, 32" (81.3cm) in width, and 18-1/4" (46.4cm) in height. Bath whirlpool shall be made of cast iron with Safeguard® finish. Bath whirlpool shall have 6 Flexjets, 1.5 hp variable speed pump, 1.5 kW heater, and back-lit user control. Bath whirlpool shall be UL listed. Bath whirlpool shall be less all trim. Bath whirlpool shall be Kohler Model K-852-\_\_\_\_\_-\_\_\_\_\_.

# TEA-FOR-TWO™

## PRODUCT INFORMATION

Fixture*:	basin area	top area	weight
Bathing well	40-1/2" (102.9cm) x 20" (50.8cm)	52-3/4" (134cm) x 24" (61cm)	290 lbs. (131.5kg)
	water depth	capacity	
To overflow	13-5/8" (34.6cm)	60 gal. (227.1L)	

\* Approximate measurements for comparison only.

Pump	Heater	Voltage	Frequency	Amperage
1.5 HP	1.5 kW	240 V	50/60 Hz	11 A

## REQUIRED ELECTRICAL SERVICE

Dedicated circuit required, protected with Class A Ground-Fault Circuit-Interrupter (GFCI) or Earth-Leakage Circuit-Breaker (ELCB):	
Pump/control	220/240 V, 20 A, 50/60 Hz

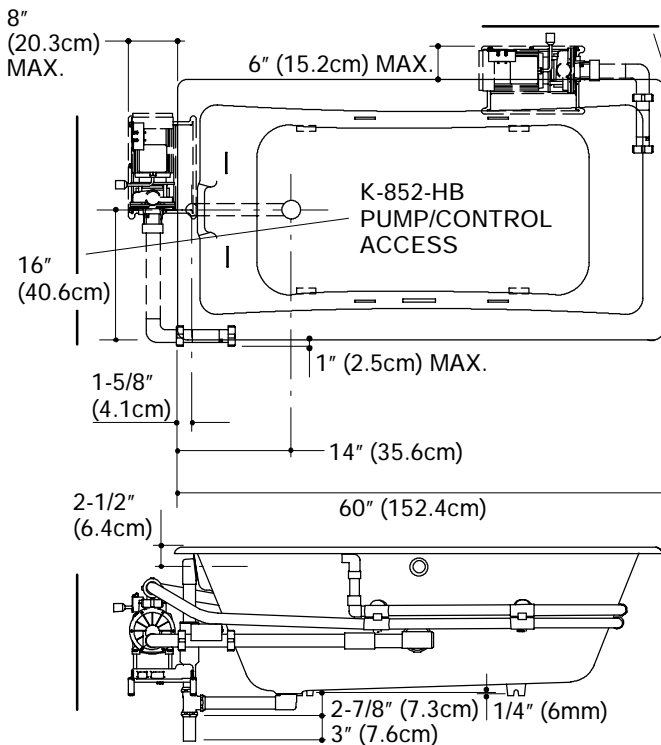
## INSTALLATION NOTES

Install this product according to the installation guide.

Floor support under whirlpool must provide for a minimum of 1200 lbs. (544.3kg)

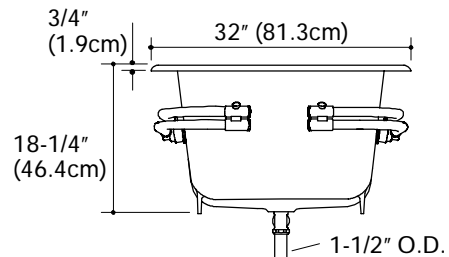
Hot water supply should be 70% of capacity or greater. Installations will vary.

Pump must be relocated to custom position at the time of installation. Provide adequate clearance.



No change in measurements if connected with drain illustrated. (K-7169-AF or K-7169M-AF)		
Drop-in cut-out	58-1/2" (148.6cm) x 30-1/2" (77.5cm)	
Cut-out for undermount	K-586 template	
Minimum access panel:		
Pump/control	34" (86.4cm) W x 15" (38.1cm) H	required

K-852-HE PUMP/CONTROL ACCESS



## PRODUCT DIAGRAM