

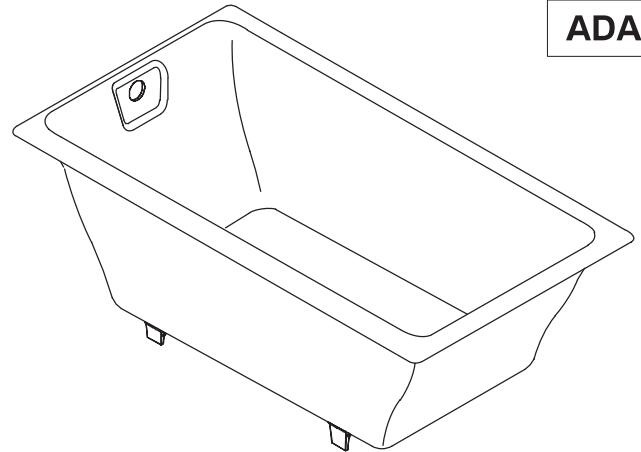
### FEATURES

- 66" (167.6cm) x 36"(81.3cm) x 24" (46.4cm)
- Cast iron with Safeguard® finish

### CODES/STANDARDS APPLICABLE

Specified model meets or exceeds the following:

- ADA
- ASME/ANSI A112.19.1M
- ASME/ANSI A112.19.7M
- CABO/ANSI A117.1
- IAPMO/UPC
- Underwriters Laboratories (UL)
- State of Massachusetts
- City of Los Angeles, CA



### COLORS/FINISHES

- 0 White
- Other Refer to Fixtures Price Book for additional colors

#### Accessories:

- CP Polished Chrome
- PB Polished Brass
- Other Refer to Faucets Price Book for additional finishes
- NA None Applicable

### SPECIFIED MODEL:

Model	Description	Colors/Finishes		
		<input type="checkbox"/> 0 White	<input type="checkbox"/> Other_____	
K-855	5.5' bath, drop-in rim style	<input type="checkbox"/> 0 White	<input type="checkbox"/> Other_____	
K-855-L	5.5' bath with left outlet, integral flange	<input type="checkbox"/> 0 White	<input type="checkbox"/> Other_____	
K-855-R	5.5' bath with right outlet, integral flange	<input type="checkbox"/> 0 White	<input type="checkbox"/> Other_____	
<b>Required Accessories</b>				
K-7147-AF	Drain	<input type="checkbox"/> CP	<input type="checkbox"/> PB	<input type="checkbox"/> Other_____
<b>Optional Accessories</b>				
K-587	Undermount installation kit (template and installation instructions)	<input type="checkbox"/> NA		

### PRODUCT SPECIFICATION:

The bath shall be 66" (167.6cm) in length, 36" (81.3cm) in width, and 24" (46.4cm) in height. Bath shall be made of cast iron with Safeguard® finish. Bath shall be Kohler Model K-855-\_\_\_\_\_.

# TEA-FOR-TWO™

## PRODUCT INFORMATION

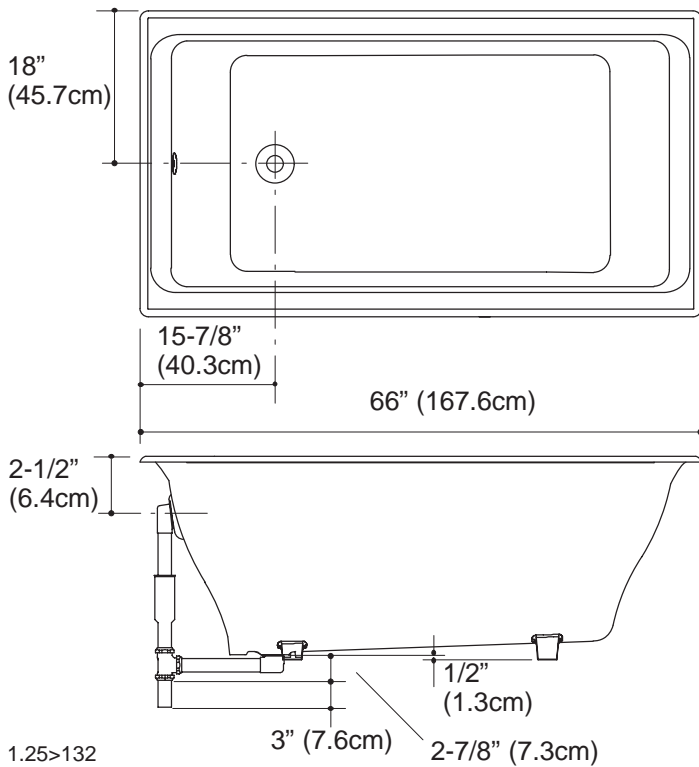
Fixture*:	basin area	top area	weight
Bathing well	45" (114.3cm) x 25" (63.5cm)	58" (147.3cm) x 29" (73.7cm)	440 lbs. (199.6 kg)
	water depth	capacity	
To overflow	19-1/2" (49.5cm)	105 gal. (397.4L)	

\* Approximate measurements for comparison only.

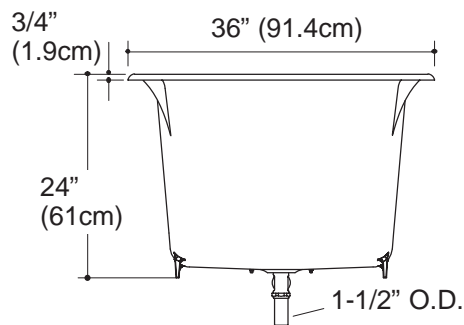
## INSTALLATION NOTES

Refer to installation instructions included with fixture before beginning installation.

Floor support under whirlpool must provide for a minimum of 80 lbs./square foot (390 Kg./square meter) loading.



No change in measurements if connected with drain illustrated.	
Cut-out for drop-in	64-1/2" (163.8cm) x 34-1/2" (87.6cm)
Cut-out for undermount	K-587 template required



## PRODUCT DIAGRAM