

Features

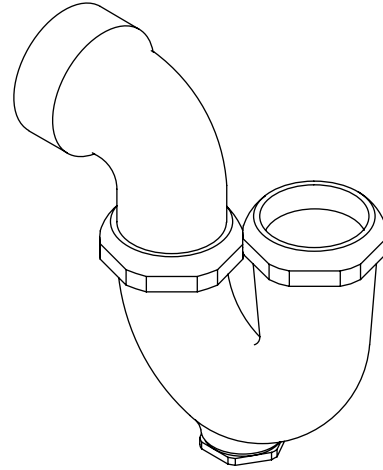
- Cast brass construction
- Adjustable rotation on outlet tube
- Slip-joint inlet
- Cleanout plug

Codes/Standards Applicable

Specified model meets or exceeds the following:

- ASME A112.18.1
- IAPMO/UPC

P-TRAP
K-8995
ALSO K-8996



Colors/Finishes

- CP: Polished Chrome

Specified Model

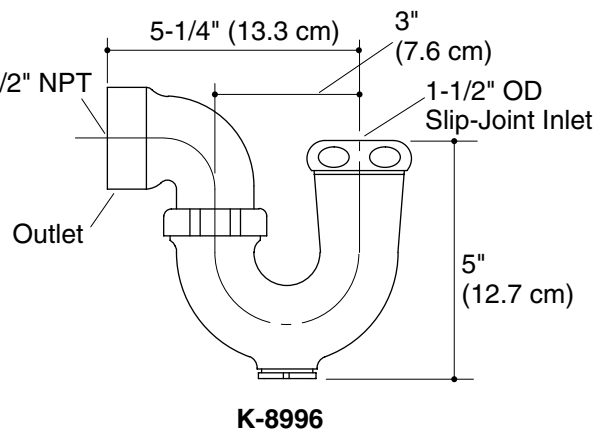
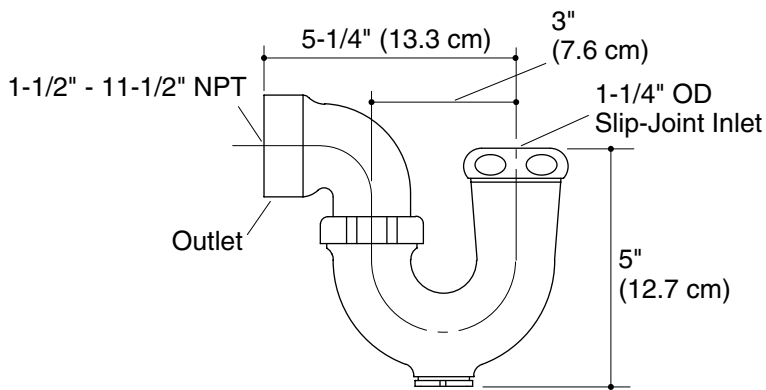
Model	Description	Colors/Finishes
K-8995	P-trap with 1-1/4" OD inlet and 1-1/2" NPT outlet	<input type="checkbox"/> CP
K-8996	P-trap with 1-1/2" OD inlet and 1-1/2" NPT outlet	<input type="checkbox"/> CP

Product Specification

P-trap shall be of cast brass construction. Adjustable P-trap shall feature cleanout plug and slip-joint inlet. Product shall be Kohler Model K-_____-CP.

Installation Notes

Install this product according to the installation guide.



Product Diagram