

**SHOWER FAUCET TRIM
K-T15611**

ALSO K-304, K-306-KS, K-308

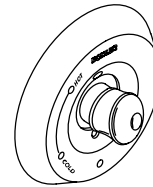
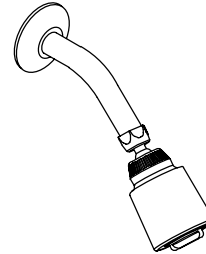
FEATURES

- Metal construction
- Acrylic handle

CODES/STANDARDS APPLICABLE

Specified model meets or exceeds the following:

- ASME/ANSI A112.18.1M
- CSA International B125
- IAPMO/UPC listed

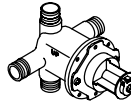
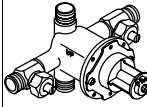
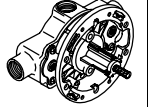


COLORS/FINISHES

- CP Polished Chrome
- PB Polished Brass
- Other Refer to Faucets Price Book for additional finishes

SPECIFIED MODEL: For complete faucet, both faucet trim and mixing valve must be specified.

Model	Description			
K-T15611-7	With Acrylic Handle	<input type="checkbox"/> CP	<input type="checkbox"/> PB	<input type="checkbox"/> Other _____

Required Accessory				
K-304-K	Rite-Temp Valve Without Stops	<input type="checkbox"/> NA		
K-304-KS	Rite-Temp Valve With Stops		<input type="checkbox"/> NA	
K-306-KS	HiFlow Rite-Temp Valve With Integral Stops			<input type="checkbox"/> NA
K-308-K	Non-Pressure Balancing Valve Without Stops	<input type="checkbox"/> NA		
K-308-KS	Non-Pressure Balancing Valve With Stops		<input type="checkbox"/> NA	

PRODUCT SPECIFICATION:

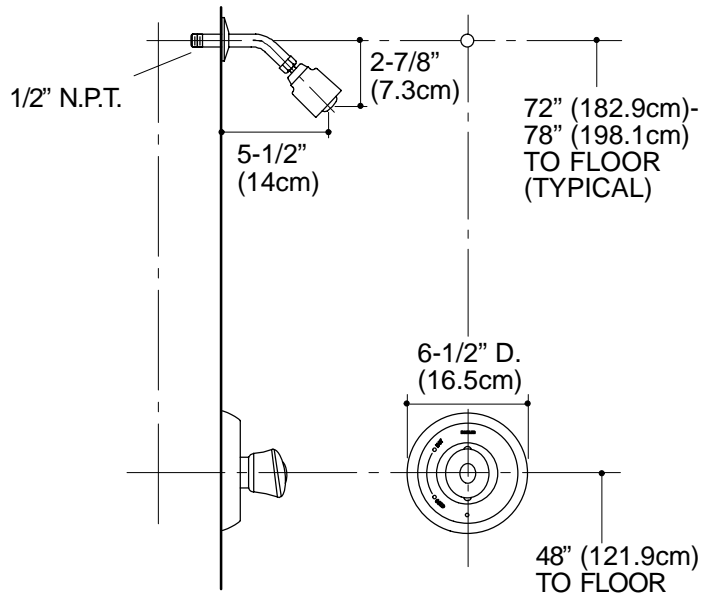
Single-control shower faucet trim shall be of metal construction. Product shall include showerhead with arm and flange, and faceplate with acrylic handle. Faucet trim shall be Kohler Model K-T15611-7-_____ and mixing valve shall be Kohler Model K-_____-_____-NA.

INSTALLATION NOTES

Avoid cross-flow conditions. Do not install shut-off device on either valve outlet.

Cap shower outlet if deck-mount spout, diverter, or handshower is connected to spout outlet.

Install straight pipe or tube drop of 7" (17.8cm) to 18" (45.7cm) with single elbow between valve and wall-mount spout.



332

PRODUCT DIAGRAM