

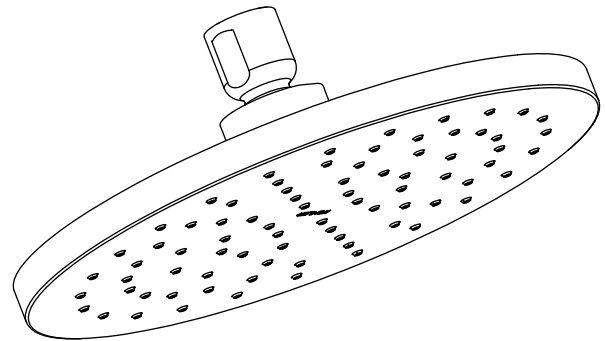
CONTEMPORARY ROUND

**RAIN SHOWERHEAD
K-13688**

ALSO K-13689, K-13690, K-13691

Features

- Single-function Rain showerhead
- MasterClean™ spray nozzles prohibit mineral buildup for easy cleaning
- Katalyst™ Spray Technology with air induction ball joint (patent pending)
- Optimized sprayface for maximum performance
- Solid brass construction
- 2.5 gallon (9.5 L) per minute flow rate
- 1/2" - 14 NPT connection



Codes/Standards Applicable

Specified model meets or exceeds the following:

- ASME A112.18.1/CSA B125.1
- Energy Policy Act of 1992

Colors/Finishes

- CP: Polished Chrome
- Other: Refer to Price Book for additional colors/finishes

Accessories

- CP: Polished Chrome
- Other: Refer to Price Book for additional colors/finishes

Specified Model

Model	Description	Size	Nozzles	Colors/Finishes	
K-13688	Rain showerhead	8" (203 mm)	78	<input type="checkbox"/> CP	<input type="checkbox"/> Other____
K-13689	Rain showerhead	10" (254 mm)	78	<input type="checkbox"/> CP	<input type="checkbox"/> Other____
K-13690	Rain showerhead	12" (305 mm)	102	<input type="checkbox"/> CP	<input type="checkbox"/> Other____
K-13691	Rain showerhead	14" (356 mm)	126	<input type="checkbox"/> CP	<input type="checkbox"/> Other____

Optional Accessories			
K-7392	12" (305 mm) straight ceiling-mount shower arm and flange		<input type="checkbox"/> CP <input type="checkbox"/> Other____
K-7394	6" (152 mm) straight ceiling-mount shower arm and flange		<input type="checkbox"/> CP <input type="checkbox"/> Other____
K-7396	3" (76 mm) straight ceiling-mount shower arm and flange		<input type="checkbox"/> CP <input type="checkbox"/> Other____
K-10124	Right-angle shower arm and flange		<input type="checkbox"/> CP <input type="checkbox"/> Other____

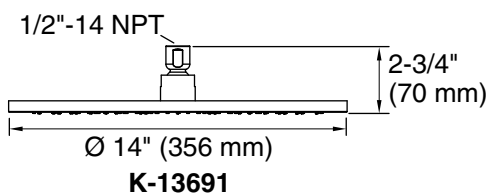
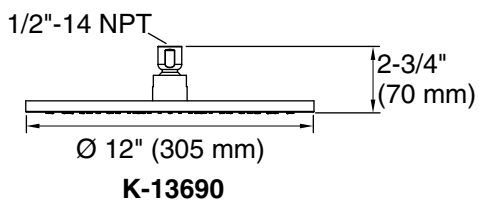
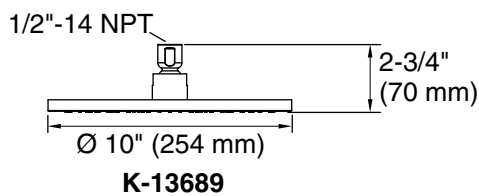
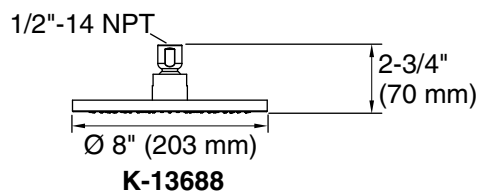
Product Specification

The single function rain showerhead shall be made of solid brass construction with MasterClean™ spray nozzles to prohibit mineral build up for easy cleaning. Showerhead shall have Katalyst™ spray technology with air induction ball joint (patent pending) and optimized spray face for maximum performance. Showerhead shall have a flow rate of 2.5 gallons (9.5 L) per minute. Showerhead shall have a 1/2"-14 NPT connection. Showerhead shall be Kohler Model K-13688-____, K-13689-____, K-13690-____ or K-13691-____.

CONTEMPORARY ROUND

Installation Notes

Install this product according to the installation guide.



Product Diagram

Features

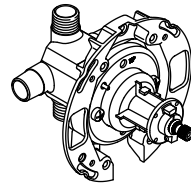
- Brass valve bodies
- High-temperature limit setting for added safety
- Mixing valve cycles from "cold" to "hot"
- Rite-Temp pressure-balancing diaphragm design valve
- One-piece diaphragm cartridge design for ease of maintenance
- Available with or without screwdriver stops

Codes/Standards Applicable

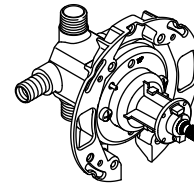
Specified model meets or exceeds the following:

- ASME A112.18.1/CSA B125.1
- ASSE 1016

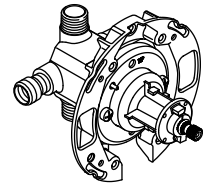
**PRESSURE-BALANCING VALVE
K-304**



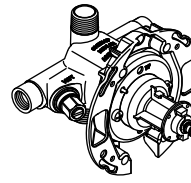
K-304-K



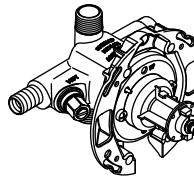
K-304-PX



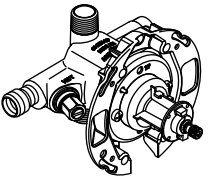
K-304-UX



K-304-KS



K-304-PS



K-304-US

Colors/Finishes

- NA: None applicable

Specified Model

Model	Description	Colors/Finishes
K-304-K	Pressure-balancing valve without screwdriver stops – universal inlets	<input type="checkbox"/> NA
K-304-KS	Pressure-balancing valve with screwdriver stops – universal inlets	<input type="checkbox"/> NA
K-304-PX	Pressure-balancing valve without screwdriver stops – PEX inlets (crimp)	<input type="checkbox"/> NA
K-304-PS	Pressure-balancing valve with screwdriver stops – PEX inlets (crimp)	<input type="checkbox"/> NA
K-304-UX	Pressure-balancing valve without screwdriver stops – PEX inlets (cold expansion)	<input type="checkbox"/> NA
K-304-US	Pressure-balancing valve with screwdriver stops – PEX inlets (cold expansion)	<input type="checkbox"/> NA
K-304-CX	Pressure-balancing valve without screwdriver stops – 1/2" CPVC inlets	<input type="checkbox"/> NA
K-304-CS	Pressure-balancing valve with screwdriver stops – 1/2" CPVC inlets	<input type="checkbox"/> NA

The K-304-CX and K-304-CS are K-304-K and K-304-KS with CPVC adapters installed on the inlets.

Optional Accessories

Deep rough-in kits are available (refer to the trim set Specification Sheet).

Product Specification

Rite-Temp pressure-balancing single-control valve shall have a brass valve body. Valve shall include a Rite-Temp pressure-balancing diaphragm design valve with a one-piece diaphragm cartridge design for ease of maintenance. Valve shall have mixing valve cycles from "cold" to "hot" and a high-temperature limit stop for added safety. Valve shall be available without or with screwdriver stops. Rite-Temp pressure-balancing valve shall be Kohler Model K-304-____-NA.

RITE-TEMP®

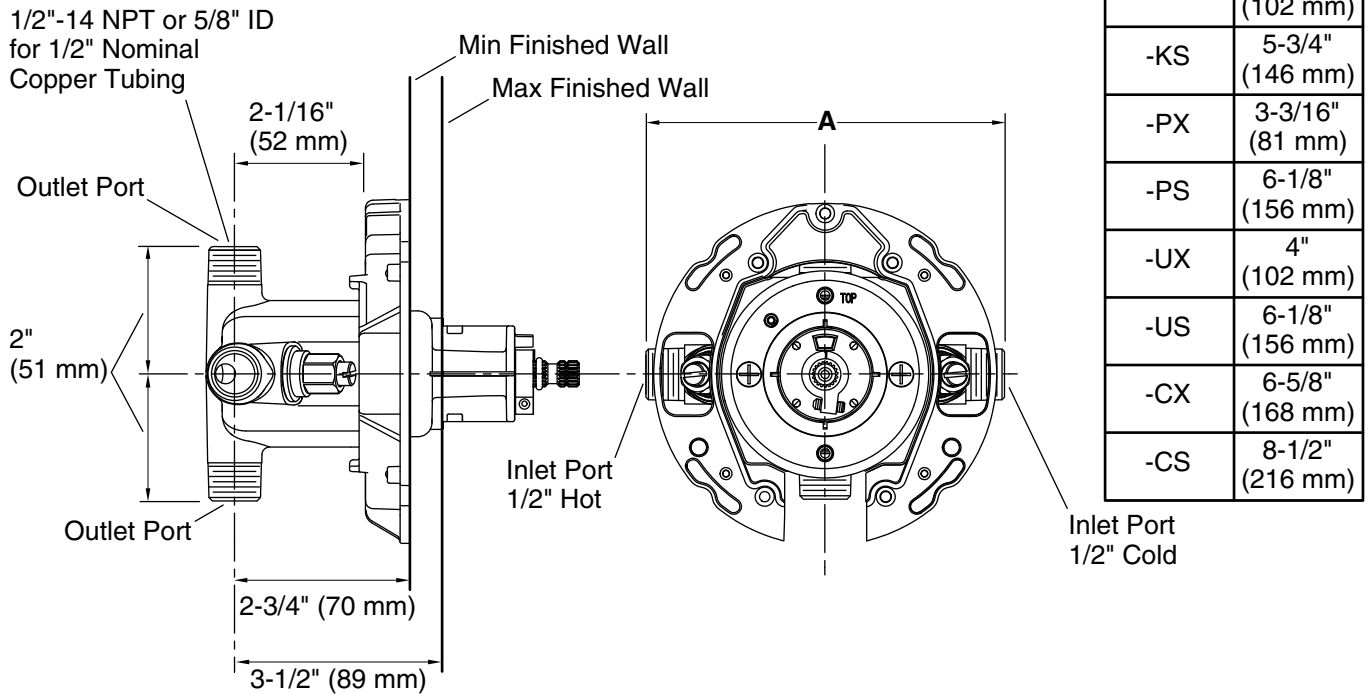
Installation Notes

Install this product according to the installation guide.

Avoid cross-flow conditions. Do not install a shut-off device on either valve outlet.

Cap the shower outlet if a deck-mount spout, diverter, or handshower is connected to a spout outlet.

Install straight pipe or tube drop of 7" (178 mm) to 18" (457 mm) with single elbow between valve and wall-mount spout. Refer to the installation instructions for proper configuration of the connection between the valve and bath spout.



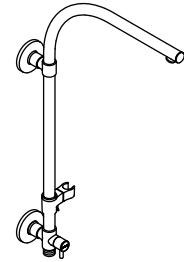
Product Diagram

**SHOWER COLUMN
K-45211
ALSO K-45212**

ADA

Features

- For use in shower only installations
- Designed for new installations or retrofit to replace an existing installed shower arm
- Incorporates two position diverter for Rainhead showerhead or handshower operation
- For use with temperature/volume control mixing valve (not supplied)
- Check valve installed in diverter valve for backflow prevention
- For use with Kohler Catalyst® Rainhead, handshowers, and shower hoses



Codes/Standards Applicable

Specified model meets or exceeds the following:

- ADA
- ICC/ANSI A117.1
- ASME A112.18.1/CSA B125.1

Colors/Finishes

- CP: Polished Chrome
- Other: Refer to Price Book for additional colors/finishes
- NA: None applicable

Specified Model

Model	Description	Colors/Finishes	
K-45211	Shower column – arched (shown)	<input type="checkbox"/> CP	<input type="checkbox"/> Other_____
K-45212	Shower column – beam	<input type="checkbox"/> CP	<input type="checkbox"/> Other_____

Optional Accessories			
K-13688	8" Contemporary Round Catalyst Rainhead	<input type="checkbox"/> CP	<input type="checkbox"/> Other_____
K-13689	10" Contemporary Round Catalyst Rainhead	<input type="checkbox"/> CP	<input type="checkbox"/> Other_____
K-13692	8" Traditional Round Catalyst Rainhead	<input type="checkbox"/> CP	<input type="checkbox"/> Other_____
K-13695	8" Contemporary Square Catalyst Rainhead	<input type="checkbox"/> CP	<input type="checkbox"/> Other_____
K-8593	Mastershower 72" metal shower hose	<input type="checkbox"/> CP	<input type="checkbox"/> Other_____
K-9514	Mastershower 60" metal shower hose	<input type="checkbox"/> CP	<input type="checkbox"/> Other_____
K-45981	72" Ribbon shower hose	<input type="checkbox"/> CP	<input type="checkbox"/> Other_____
K-45982	60" Ribbon shower hose	<input type="checkbox"/> CP	<input type="checkbox"/> Other_____
1194630	Deep roughing-in kit		<input type="checkbox"/> NA
1187917	Shallow Roughing-in Kit		<input type="checkbox"/> NA
1194302	Large escutcheon/mounting collar kit	<input type="checkbox"/> CP	<input type="checkbox"/> Other_____

Product Specification

The shower column shall be used in shower only installations. Column shall be designed for new installations or retrofit to replace an existing shower arm. Column shall incorporate two position diverter for Rainhead showerhead or handshower operation. Column shall be used with temperature/volume control mixing valve (not supplied). Column shall have check valve installed in diverter valve for backflow prevention. Column shall be for use with Kohler Catalyst Rainheads, handshowers, and shower hoses. Column shall be Kohler Model K-_____.

HYDRORAIL® -R

Installation Notes

Install this product according to the installation guide.

ADA compliant when installed to the specific requirements of these regulations.

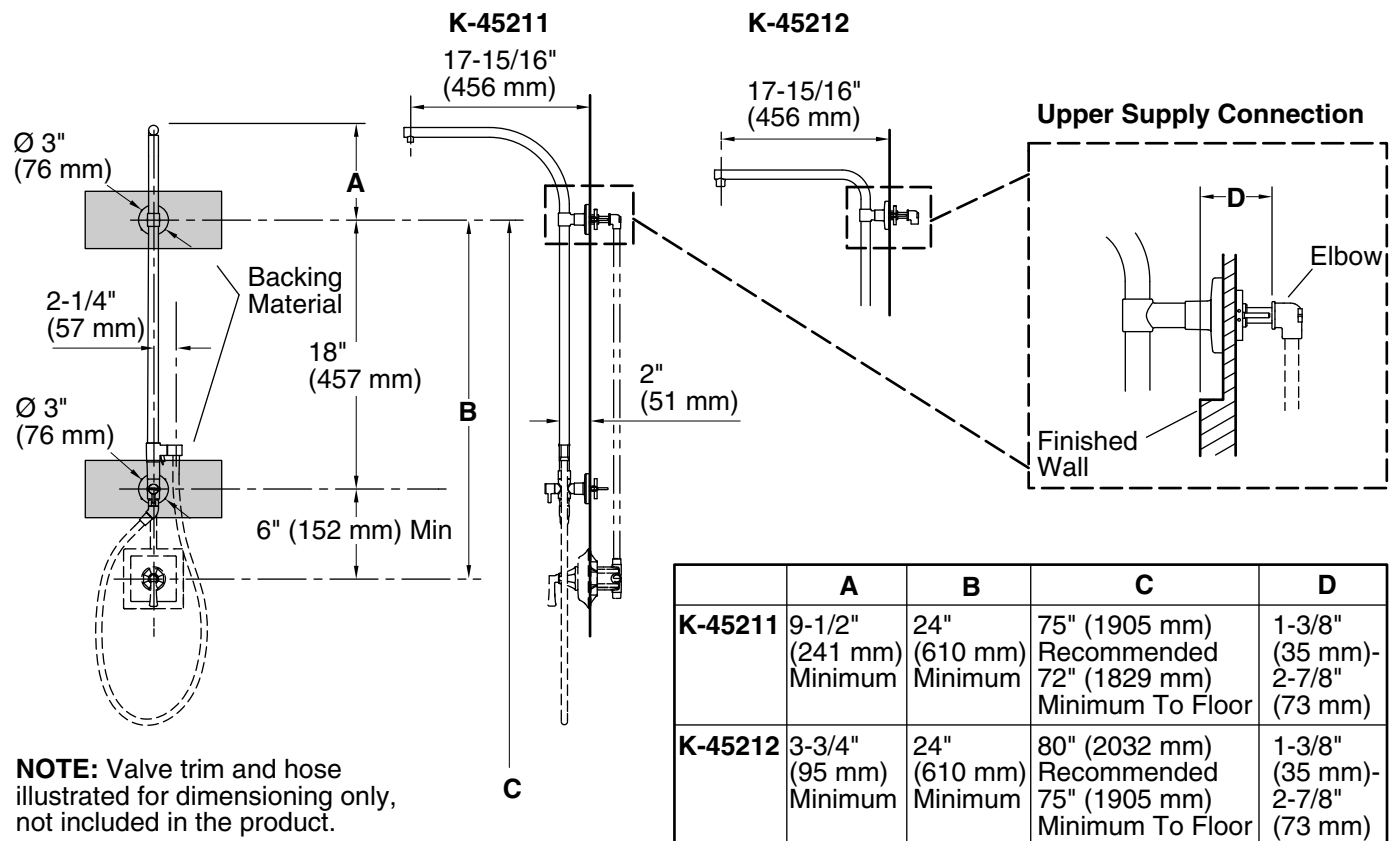
IMPORTANT! To ensure correct product selection, verify the following dimensions:

- from the ceiling to the center of the existing shower arm at the finished wall surface (Dimension **A**)
- from the center of the existing shower arm to the center of the mixing valve trim (Dimension **B**)
- from the shower floor to the center of the existing shower arm at the finished wall surface (Dimension **C**)
- from the supply elbow to the finished wall surface (Dimension **D**)

If the distance from the elbow to the finished wall surface is between 2-7/8" (73 mm) to 4" (102 mm), order the 1194630 deep roughing-in kit. (Dimension **D**)

If the distance from the elbow to the finished wall surface is less than 1-3/8" (35 mm), order the 1187917 shallow roughing-in kit. (Dimension **D**)

A 3" (76 mm) escutcheon/mounting collar is supplied to fit a 1" (25 mm) to 1-1/4" (32 mm) supply connection hole diameter. If the supply connection hole diameter is between 1-1/4" (32 mm) to 2-1/4" (57 mm), order the 1194302 large escutcheon/mounting collar kit.



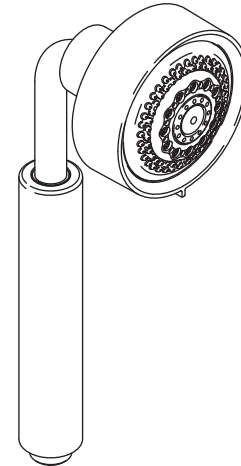
Product Diagram

Features

- MasterClean™ sprayface resists hard water buildup and is easy to clean
- Ergonomic sprayhead pivots for targeted hydromassage or for rinsing the shower enclosure
- Complements Stillness® faucet line
- 2.5 gallon (9.5 L) per minute flow rate
- Full-coverage, therapeutic massage, and soft-aerated
- ADA non-positive shut-off

**MULTI-FUNCTION HANDSHOWER
K-973**

ADA **CSA B651** **OBC**



Codes/Standards Applicable

Specified model meets or exceeds the following:

- ADA
- CSA B651
- OBC
- ASME A112.18.1/CSA B125.1

Colors/Finishes

- CP: Polished Chrome
- Other: Refer to Price Book for additional colors/finishes

Accessories

- CP: Polished Chrome

Specified Model

Model	Description	Colors/Finishes	
K-973	Multi-function handshower – 2.5 gallon (9.5 L) per minute flow rate	<input type="checkbox"/> CP	<input type="checkbox"/> Other ____
Required Accessories			
K-8593	72" (1829 mm) metal shower hose OR		<input type="checkbox"/> CP
K-9514	60" (1524 mm) metal shower hose		<input type="checkbox"/> CP

Product Specification

Multi-function handshower shall feature a Masterclean sprayface which resists hard water buildup and is easy to clean. Handshower shall feature an ergonomic sprayhead which pivots for targeted hydromassage or for rinsing the shower enclosure. Handshower shall be available with a 2.5 gallon (9.5 L) per minute flow rate. Handshower shall feature full-coverage, therapeutic massage, soft-aerated, and ADA non-positive shut-off. Handshower shall complement the Stillness faucet line. Multi-function handshower shall be Kohler Model K-973-____.

STILLNESS®

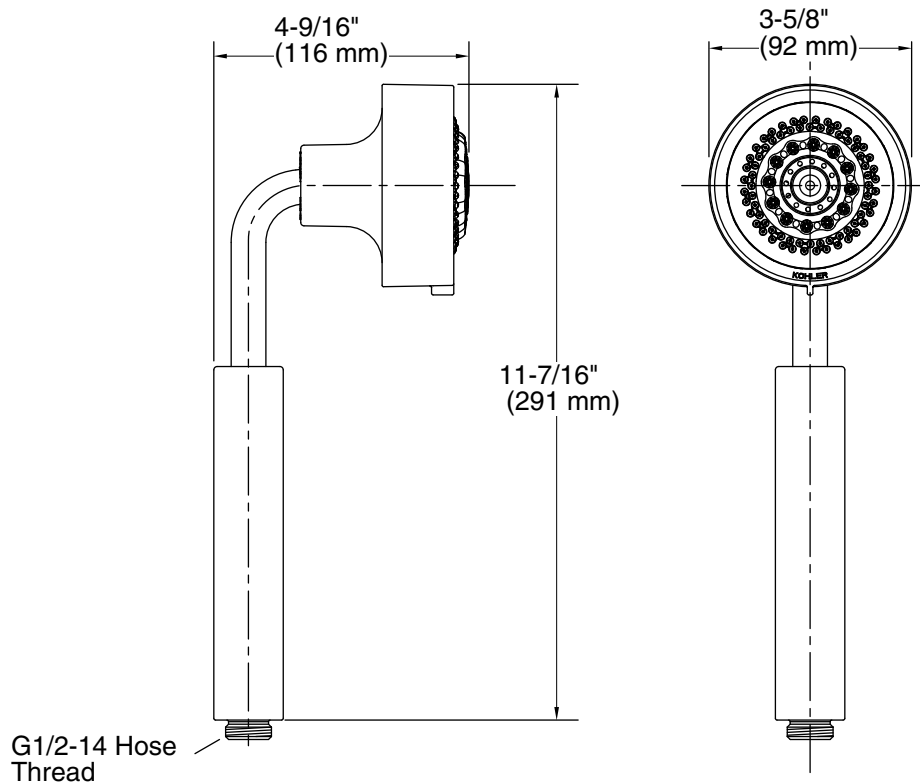
Installation Notes

Install this product according to the installation guide.

Plumbing codes require an atmospheric vacuum breaker (such as Kohler Model K-9660) be installed in-line with handshowers. Please consult with local plumbing officials.

ADA, CSA B651, OBC compliant when installed to the specific requirements of these regulations.

Reduced flow spray option provided non-positive shut-off required by 2010 ADA standard for accessible design, section 607.6 Spray Unit and Water (Baths) and section 608.6 Spray Unit and Water (Showers).



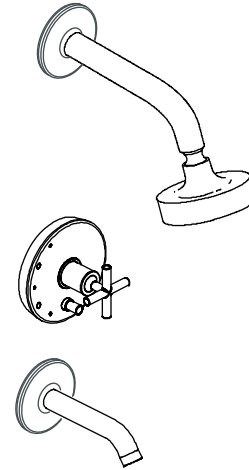
Product Diagram

Features

- Brass construction
- Available with cross or lever handles
- Push-button diverter
- 35° and 90° spouts

**BATH & SHOWER TRIM SET
K-T14420**

ALSO K-T14421, K-T14422, K-T14423



Codes/Standards Applicable

Specified model meets or exceeds the following:

- ASME A112.18.1/CSA B125.1
- ASSE 1016

Colors/Finishes

- CP: Polished Chrome
- Other: Refer to Price Book for additional colors/finishes

Accessories

- CP: Polished Chrome
- Other: Refer to Price Book for additional colors/finishes
- NA: None applicable

Specified Model

Model	Description	Colors/Finishes	
K-T14420-3	Bath & shower trim set, cross handle and 35° Spout (shown)	<input type="checkbox"/> CP	<input type="checkbox"/> Other ____
K-T14420-4	Bath & shower trim set, lever handle and 35° Spout	<input type="checkbox"/> CP	<input type="checkbox"/> Other ____
K-T14421-3	Bath & shower trim set, cross handle and 90° Spout	<input type="checkbox"/> CP	<input type="checkbox"/> Other ____
K-T14421-4	Bath & shower trim set, lever handle and 90° Spout	<input type="checkbox"/> CP	<input type="checkbox"/> Other ____
K-T14422-3	Shower only trim, cross handle	<input type="checkbox"/> CP	<input type="checkbox"/> Other ____
K-T14422-4	Shower only trim, lever handle	<input type="checkbox"/> CP	<input type="checkbox"/> Other ____
K-T14423-3	Non-Diverter valve only trim, cross handle	<input type="checkbox"/> CP	<input type="checkbox"/> Other ____
K-T14423-4	Non-Diverter valve only trim, lever handle	<input type="checkbox"/> CP	<input type="checkbox"/> Other ____
K-T14501-3	Valve W/diverter only trim, cross handle	<input type="checkbox"/> CP	<input type="checkbox"/> Other ____
K-T14501-4	Valve W/Diverter only trim, lever handle	<input type="checkbox"/> CP	<input type="checkbox"/> Other ____
K-14426	35° Bath spout	<input type="checkbox"/> CP	<input type="checkbox"/> Other ____
K-14427	90° Bath spout	<input type="checkbox"/> CP	<input type="checkbox"/> Other ____

Product Specification

The Rite-Temp® pressure-balancing single-handle bath & shower trim set shall be made of brass construction. Bath and shower trim shall include showerhead with arm and flange, non-diverter spout with NPT connection, and faceplate with handle and push-button diverter. Shower only trim shall include showerhead with arm and flange, and faceplate with handle. Valve only trim shall include faceplate with handle. Faucet shall be K-____-____-____ OR K-____-____, and Rite-Temp® valve shall be K-____-____-NA.

PURIST®

Required Accessories

K-304-*	Rite-Temp® valve OR	<input type="checkbox"/> NA
K-2971-KS	HiFlow Rite-Temp valve with stops OR	<input type="checkbox"/> NA
K-11748-K	Rite-Temp valve with diverter OR	<input type="checkbox"/> NA
K-11748-KS	Rite-Temp valve with diverter and stops	<input type="checkbox"/> NA

* For a complete listing of all the Rite-Temp valves, refer to the K-304-* Specification Sheet or Roughing-In Sheet.

Optional Accessories

88526	HiFlow Rite-Temp® thin wall installation kit	<input type="checkbox"/> CP	Other ____
1016154	Deep roughing-in kit for Rite-Temp® valve (lever and cross handles)	<input type="checkbox"/> CP	Other ____

Installation Notes

Install this product according to the installation guide.

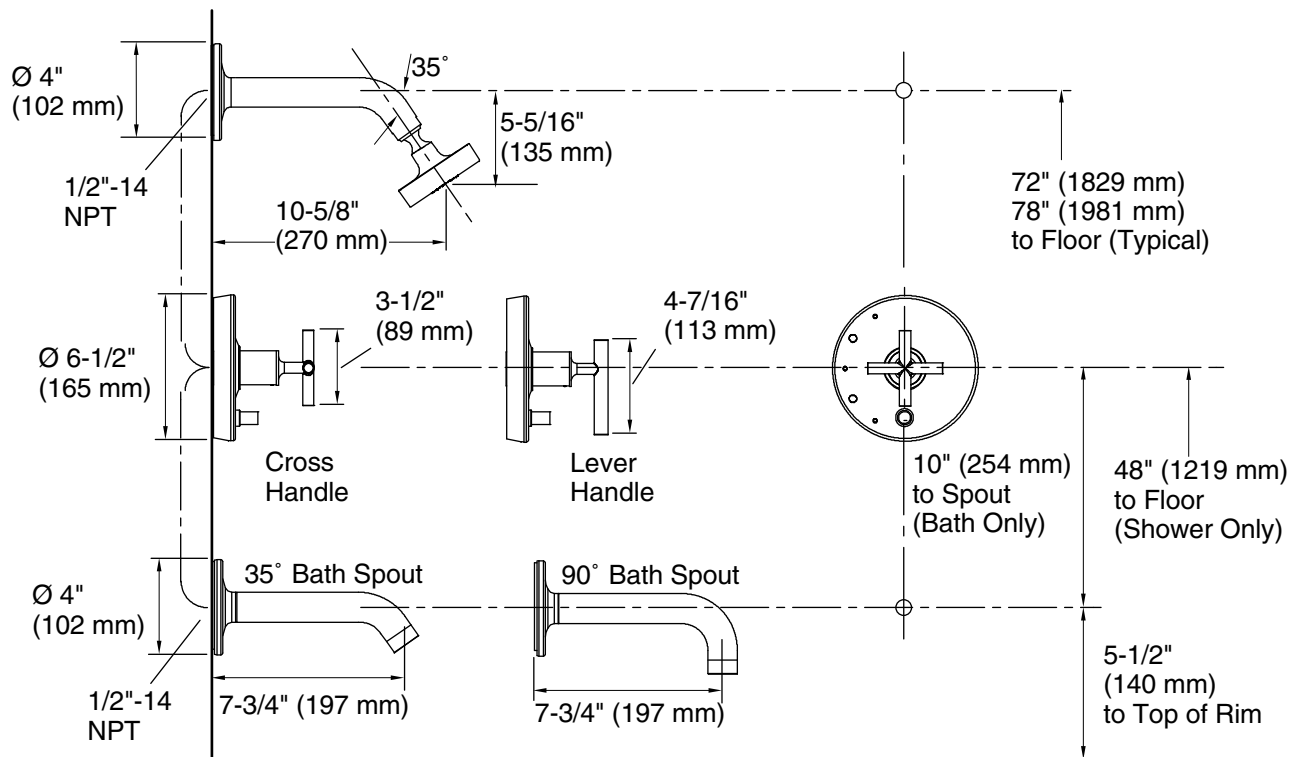
NOTICE: Risk of product damage. Long screws, for installing trim, can damage the K-2971-KS valve. Consult the trim installation guide to verify if the thin wall installation kit (88526) is needed.

Install this product according to the installation guide.

Avoid cross-flow conditions. Do not install shut-off device on either valve outlet.

Cap shower outlet if deck-mount spout, diverter, or handshower is connected to spout outlet.

Install straight pipe or tube drop of 7" (178 mm) to 18" (457 mm) with single elbow between valve and wall-mount spout.



Product Diagram