

Features

- Cast iron with Safeguard® finish
- Integral apron
- Left or right drain
- 3-wall alcove installation
- 66" (1676 mm) x 32" (813 mm) x 17" (432 mm)

BATH WITH INTEGRAL APRON

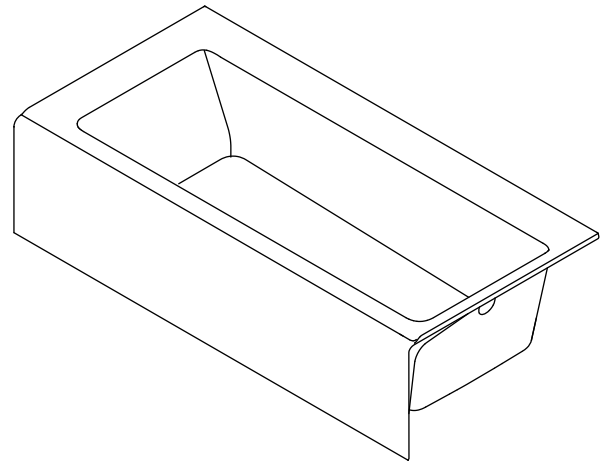
K-847
ALSO K-848

ADA

Codes/Standards Applicable

Specified model meets or exceeds the following:

- ADA
- ICC/ANSI A117.1
- ASME A112.19.1/CSA B45.2



Colors/Finishes

- 0: White
- Other: Refer to Price Book for additional colors/finishes

Accessories

- CP: Polished Chrome
- Other: Refer to Price Book for additional colors/finishes

Specified Model

Model	Description	Colors/Finishes	
K-847	Bath with integral apron – left drain	<input type="checkbox"/> 0	<input type="checkbox"/> Other _____
K-848	Bath with integral apron – right drain (shown)	<input type="checkbox"/> 0	<input type="checkbox"/> Other _____

Recommended Accessories			
K-7259	Toe tap bath drain OR	<input type="checkbox"/> CP	<input type="checkbox"/> Other _____
K-37380	Cable bath drain – 30" (762 mm), brass OR	<input type="checkbox"/> CP	<input type="checkbox"/> Other _____
K-37383	Cable bath drain – 30" (762 mm), with PVC tubing	<input type="checkbox"/> CP	<input type="checkbox"/> Other _____

Product Specification

The bath shall be made of cast iron with Safeguard finish. Product shall be 66" (1676 mm) in length, 32" (813 mm) in width, and 17" (432 mm) in height. Product shall feature an integral apron. Product shall be for 3-wall alcove installation. Product shall be available with left or right drain. Bath shall be Kohler Model K-____-____.

BELLWETHER®

Technical Information

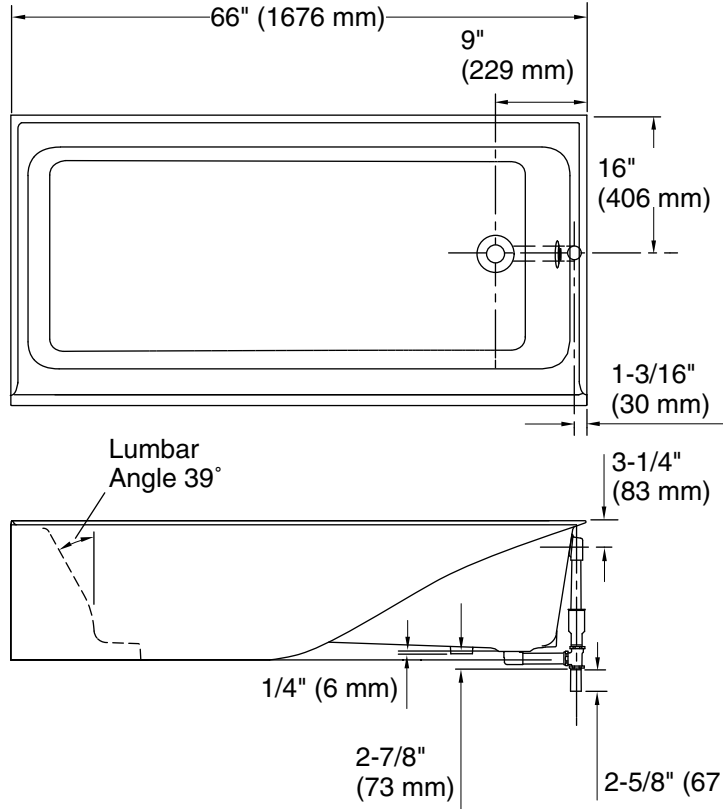
Fixture*:	
Bathing well:	
Basin area, bottom	50-3/4" (1289 mm) x 20-5/16" (516 mm)
Basin area, top	58-7/16" (1484 mm) x 22-5/8" (575 mm)
Weight	400 lbs (181 kg)
To overflow:	
Water depth	11-11/16" (297 mm)
Capacity	49 gal (185.7 L)
*Approximate measurements for comparison only.	

Installation Notes

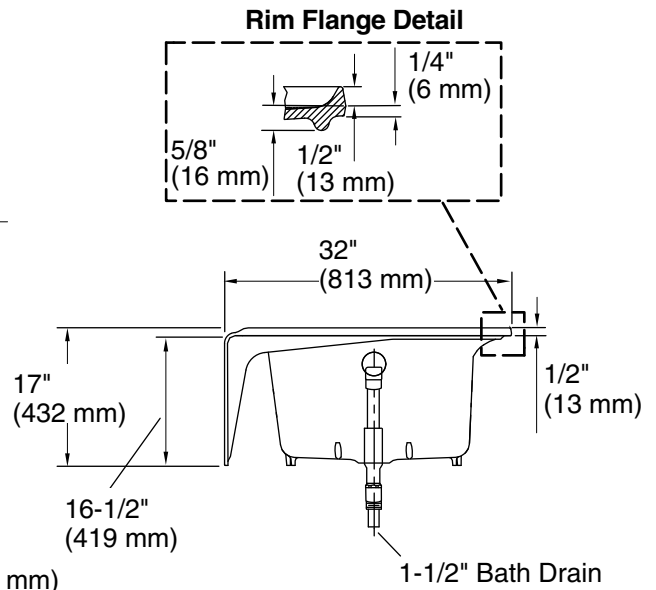
Install this product according to the installation guide.

Floor support under the bath must provide for a minimum of 57 lbs/square foot (278.3 kg/square meter) loading.

Will comply with **ADA** when installed per Section 607 Bathtubs of the ADA 2010 Standards for Accessible Design.



No change in measurement if connected with drain illustrated. (K-7259)



Product Diagram