

KOHLER® Roughing-In

K-45905, K-45906 HYDRORAIL® -S BATH/SHOWER COLUMN

Product Information

Applicable product:	
Bath/shower column	K-45905
Shower column	K-45906

Installation Notes

Install this product according to the installation guide.

ADA compliant when installed to the specific requirements of these regulations.

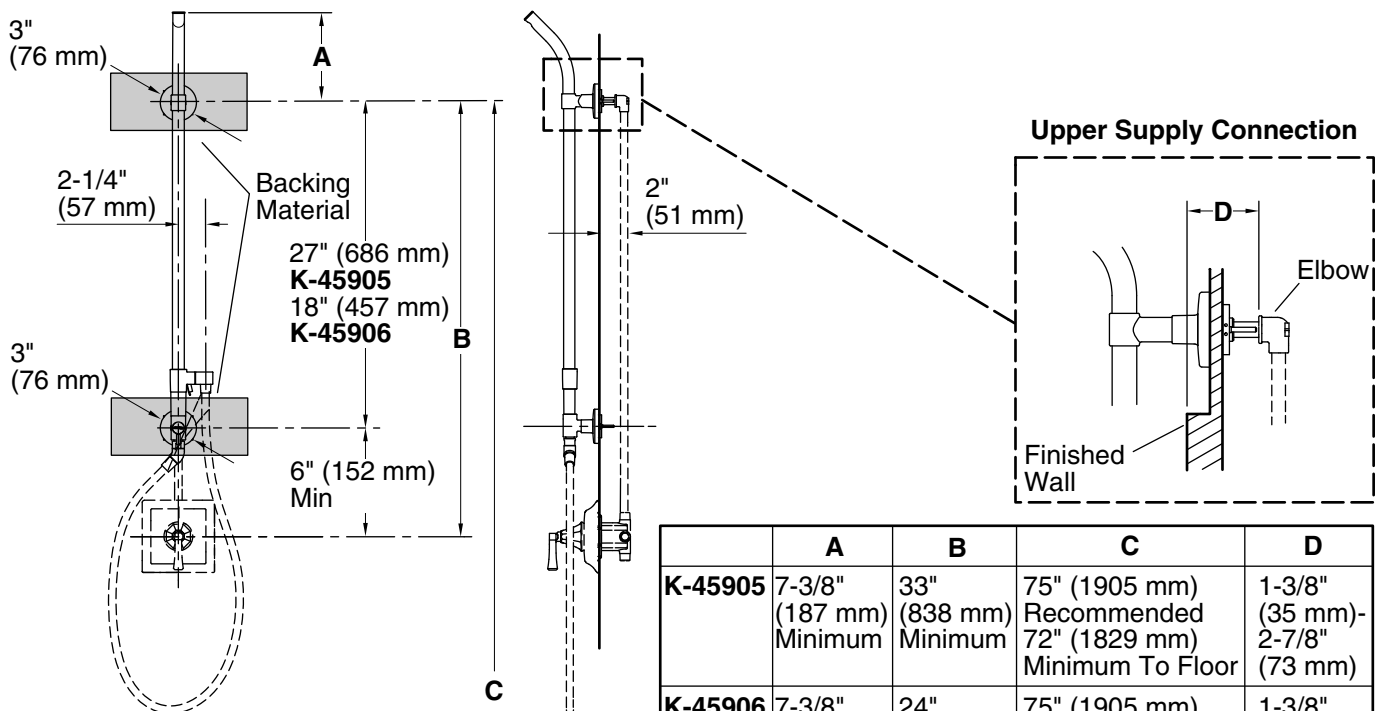
IMPORTANT! To ensure correct product selection, verify the following dimensions:

- from the ceiling to the center of the existing shower arm at the finished wall surface (Dimension **A**)
- from the center of the existing shower arm to the center of the mixing valve trim (Dimension **B**)
- from the shower floor to the center of the existing shower arm at the finished wall surface (Dimension **C**)
- from the supply elbow to the finished wall surface (Dimension **D**)

If the distance from the elbow to the finished wall surface is between 2-7/8" (73 mm) to 4" (102 mm), order the 1194630 deep roughing-in kit. (Dimension **D**)

If the distance from the elbow to the finished wall surface is less than 1-3/8" (35 mm), order the 1187917 shallow roughing-in kit. (Dimension **D**)

A 3" (76 mm) escutcheon/mounting collar is supplied to fit a 1" (25 mm) to 1-1/4" (32 mm) supply connection hole diameter. If the supply connection hole diameter is between 1-1/4" (32 mm) to 2-1/4" (57 mm), order the 1194302 large escutcheon/mounting collar kit.



NOTE: Valve trim and hose illustrated for dimensioning only, not included in the product.