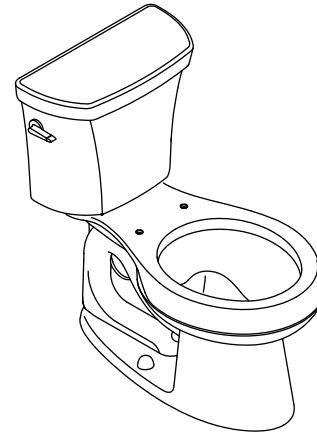


### Features

- Vitreous china
- Round bowl
- Class Five® dual flushing system
- Less seat and supply
- 12" (305 mm) rough-in
- High efficiency 1.6 gpf (6.0 lpf) or 1.1 gpf (4.2 lpf)
- 2-1/8" (54 mm) glazed trapway
- Left-hand polished chrome trip lever
- 10-1/2" (267 mm) x 7-3/4" (197 mm) water area
- 27-3/4" (705 mm) x 18" (457 mm) x 29-1/4" (743 mm)

### CLASS FIVE® DUAL FLUSH TOILET K-3987



### Codes/Standards Applicable

Specified model meets or exceeds the following:

- ASME A112.19.2/CSA B45.1
- EPA WaterSense®

### Colors/Finishes

- 0: White
- Other: Refer to Price Book for additional colors/finishes

### Accessories

- 0: White
- CP: Polished Chrome
- Other: Refer to Price Book for additional colors/finishes

### Specified Model

Model	Description	Trip Lever	Colors/Finishes	
K-3987	Class Five dual flush toilet	left-hand	<input type="checkbox"/> 0	<input type="checkbox"/> Other_____
<b>Recommended Accessories</b>				
K-4639	Cachet® Quiet-Close™ round front seat with Quick-Release™ functionality		<input type="checkbox"/> 0	<input type="checkbox"/> Other_____
K-7637	Angle supply with stop – 3/8" NPT		<input type="checkbox"/> CP	<input type="checkbox"/> Other_____

### Product Specification

The toilet with round-front bowl shall be made of vitreous china. Toilet shall be 27-3/4" (705 mm) in length, 18" (457 mm) in width, and 29-1/4" (743 mm) in height with a 10-1/2" (267 mm) by 7-3/4" (197 mm) water area. Product shall feature a high efficiency 1.6 gpf (6.0 lpf) or 1.1 gpf (4.2 lpf) and Class Five dual flushing system. Toilet shall have 2-1/8" (54 mm) glazed trapway. Toilet shall include left-hand polished chrome trip lever. Toilet shall be 12" (305 mm) rough-in. Toilet shall be less seat and supply. Toilet shall be Kohler Model K-3987-\_\_\_\_\_.

# WELLWORTH®

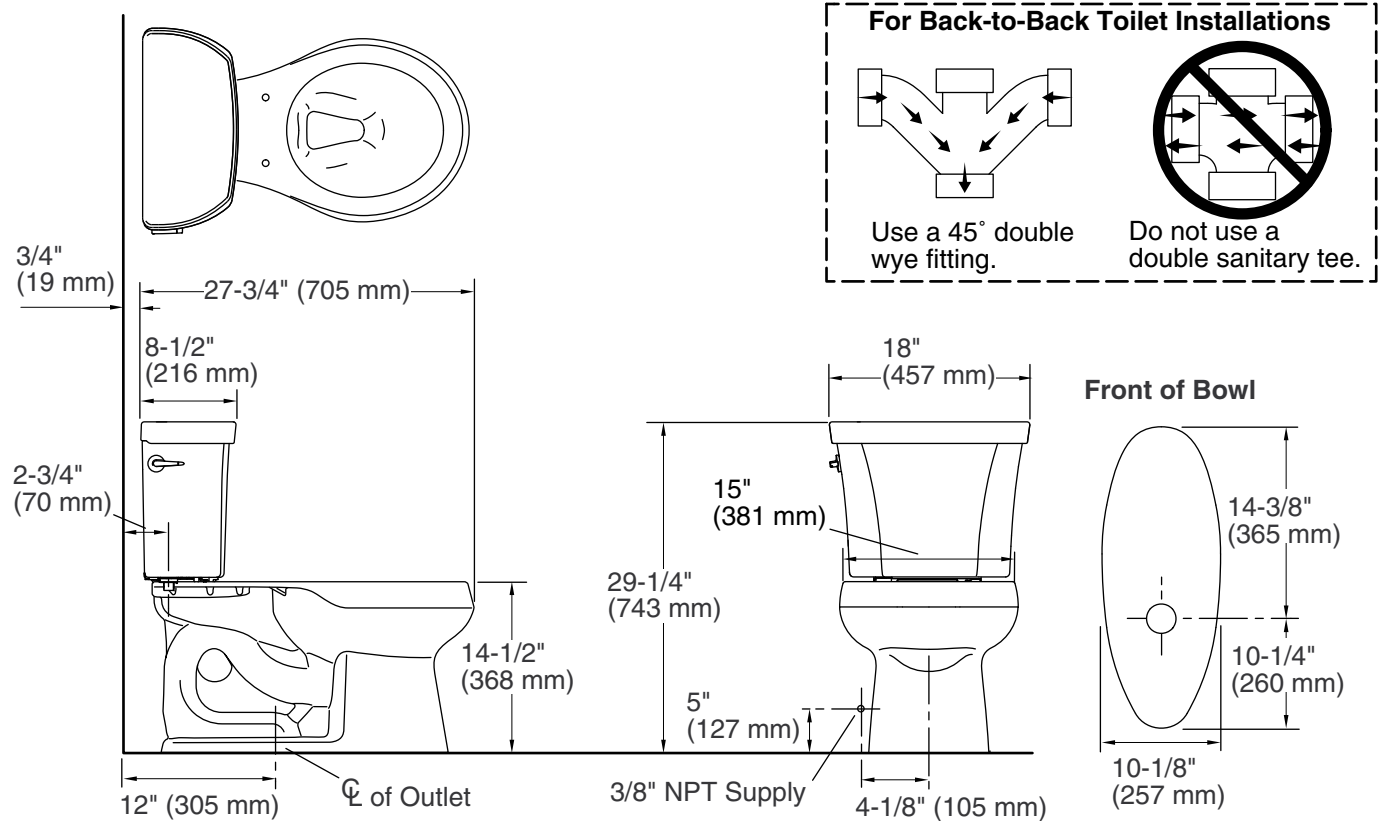
## Technical Information

Fixture:	
Configuration	Two-piece, round
Water per full flush	1.6 gpf (6.0 lpf)
Water per half flush	1.1 gpf (4.2 lpf)
Passageway	2-1/8" (54 mm)
Water area	10-1/2" (267 mm) x 7-3/4" (197 mm)
Water depth from rim	5-1/4" (133 mm)
Seat post hole centers	5-1/2" (140 mm)
Included components:	
Bowl	K-4197
Tank	K-4458
Tank cover	1138565
Trip lever - left-hand	K-9237
Bolt cap accessory pack	1013092

## Installation Notes

Install this product according to the installation guide.

**For back-to-back toilet installations:** Use only a 45° double wye fitting.



## Product Diagram