

# KOHLER® Roughing-In

## K-45903, K-45904 HYDRORAIL® -H BATH/SOWER COLUMN

### Product Information

Applicable product:	
Bath/shower column	K-45903
Shower column	K-45904

### Installation Notes

Install this product according to the installation guide.

**ADA** compliant when installed to the specific requirements of these regulations.

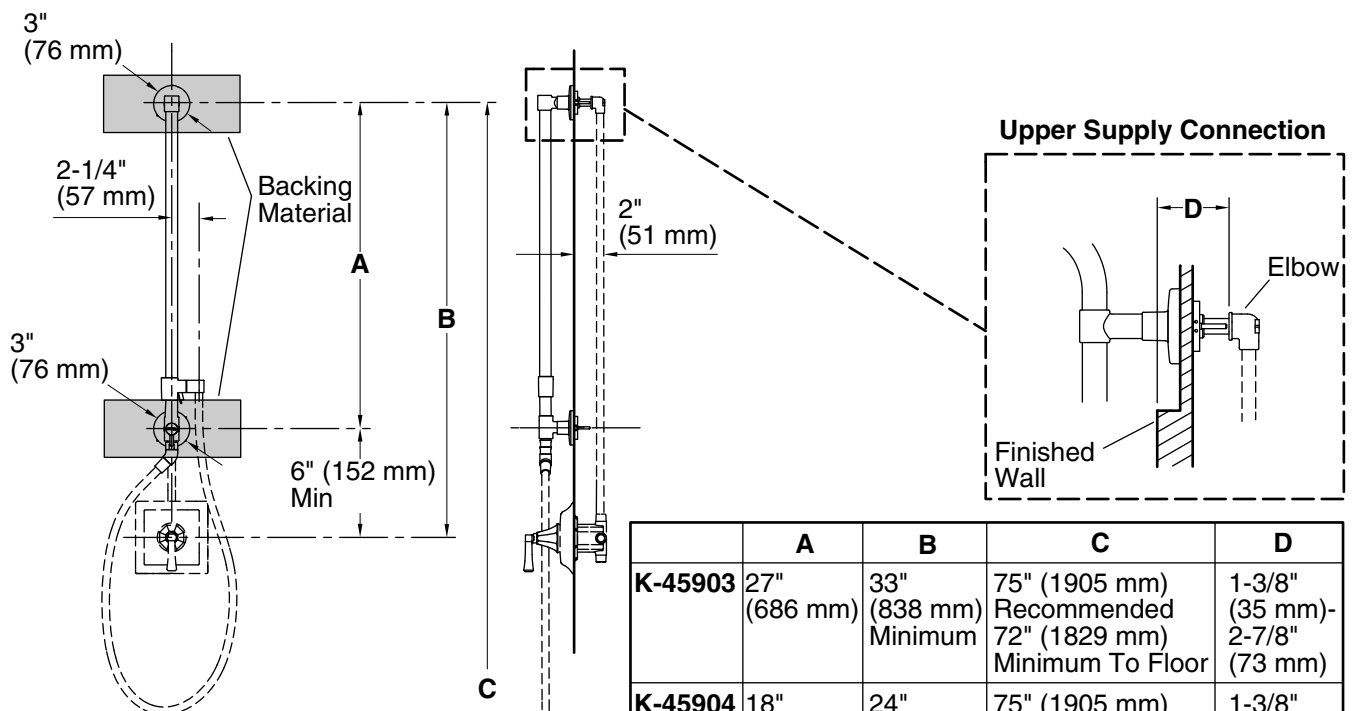
**IMPORTANT! To ensure correct product selection, verify the following dimensions:**

- from the center of the existing shower arm to the center of the mixing valve trim (Dimension **B**)
- from the shower floor to the center of the existing shower arm at the finished wall surface (Dimension **C**)
- from the supply elbow to the finished wall surface (Dimension **D**)

If the distance from the elbow to the finished wall surface is between 2-7/8" (73 mm) to 4" (102 mm), order the 1194630 deep roughing-in kit. (Dimension **D**)

If the distance from the elbow to the finished wall surface is less than 1-3/8" (35 mm), order the 1187917 shallow roughing-in kit. (Dimension **D**)

A 3" (76 mm) escutcheon/mounting collar is supplied to fit a 1" (25 mm) to 1-1/4" (32 mm) supply connection hole diameter. If the supply connection hole diameter is between 1-1/4" (32 mm) to 2-1/4" (57 mm), order the 1194302 large escutcheon/mounting collar kit.



**NOTE:** Valve trim and hose illustrated for dimensioning only, not included in the product.

	A	B	C	D
<b>K-45903</b>	27" (686 mm)	33" (838 mm) Minimum	75" (1905 mm) Recommended 72" (1829 mm) Minimum To Floor	1-3/8" (35 mm)- 2-7/8" (73 mm)
<b>K-45904</b>	18" (457 mm)	24" (610 mm) Minimum	75" (1905 mm) Recommended 72" (1829 mm) Minimum To Floor	1-3/8" (35 mm)- 2-7/8" (73 mm)