

KOHLER® Roughing-In

K-1946, K-1946-L, K-1946-R
ARCHER®
5' DROP-IN BATH

Product Information

Applicable product:	
5' bath – drop-in	K-1946
5' bath – 3-side integral flange, left drain	K-1946-L
5' bath – 3-side integral flange, right drain	K-1946-R
Fixture*:	
Bathing well	
Basin area, bottom	45-1/8" (1146 mm) x 19-11/16" (500 mm)
Basin area, top	52-1/8" (1324 mm) x 22-1/16" (560 mm)
Weight	58 lbs (26.3 kg)
To overflow	
Water depth	15-1/8" (384 mm)
Capacity	57 gal (216.9 L)
* Approximate measurements for comparison only.	
Drop-in cutout	58-1/2" (1486 mm) x 28-1/2" (724 mm)
Required accessories:	
Clearflo slotted overflow brass bath drain OR	K-7271
Clearflo slotted overflow bath drain – PVC pipe	K-7272

Installation Notes

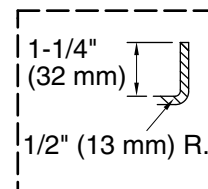
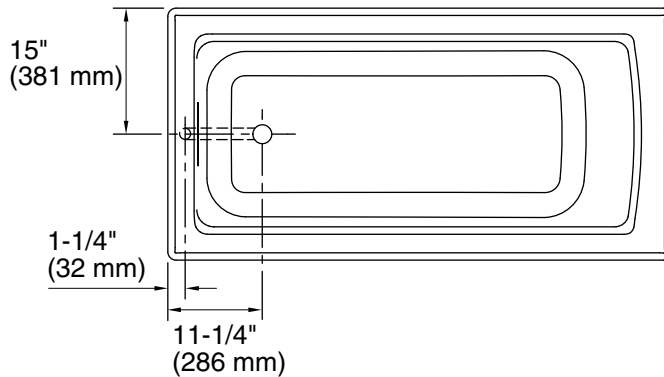
Install this product according to the installation guide.

Floor support under this product must provide for a minimum of 45 lbs/square foot (218 kg/square meter) loading.

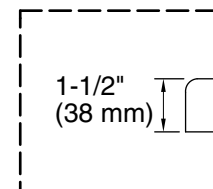
The hot water supply should be 70% of the capacity of the bath or greater. Installations will vary.

Will comply with **ADA** when installed per Section 607 Bathtubs of the Act.

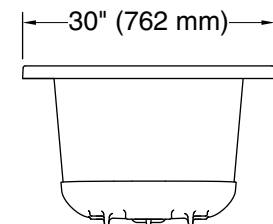
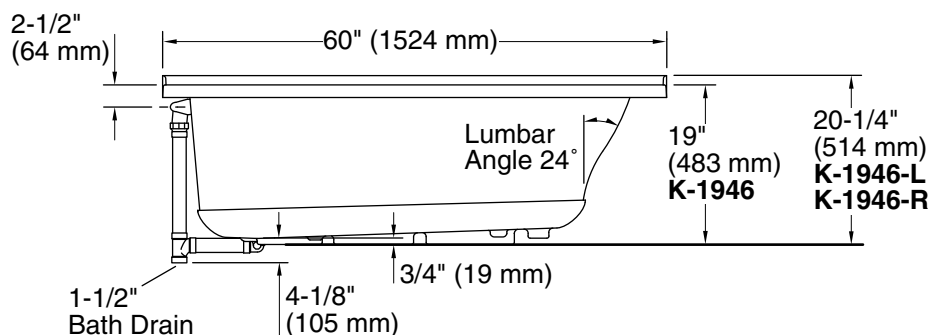
Fixture conforms to CSA B45.5/IAPMO Z124. All dimensions are nominal.



Integral Flange Detail



Drop-in Rim Detail



No change in measurements if connected with drain illustrated. (K-7272)