

ELEVANCE® RISING WALL

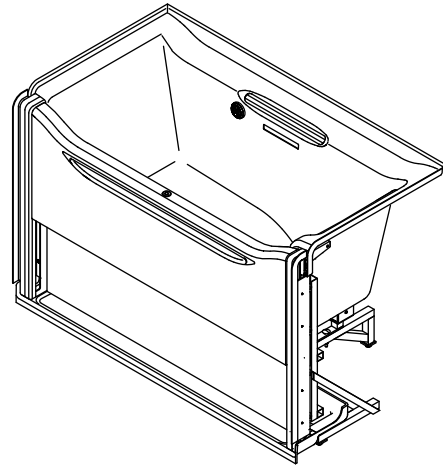
Features

- Acrylic
- Bask™ heated lumbar support with three temperature settings
- ADA compliant per recommended specification
- Without grab bar
- Rising side wall is easy to lift, requiring less than 5 pounds of force
- 3-wall alcove installation
- Left or right drain
- Fills bath within 4 minutes when using 3/4" supply valve and piping
- 60-1/4" (1530 mm) x 33-1/2" (851 mm) x 39-1/4" (997 mm)

5' BATH WITH BASK™ HEATED SURFACE

K-1913-LW
ALSO K-1913-RW

ADA



Codes/Standards Applicable

Specified model meets or exceeds the following:

- ADA
- ICC/ANSI A117.1
- ASME A112.19.15
- CSA B45.5/IAPMO Z124
- ASTM E162
- ASTM E662
- UL 1795

Colors/Finishes

- 0: White
- Other: Refer to Price Book for additional colors/finishes

Specified Model

Model	Description	Colors/Finishes	
K-1913-LW	5' Bath with Bask heated surface – left drain	<input type="checkbox"/> 0	<input type="checkbox"/> Other_____
K-1913-RW	5' Bath with Bask heated surface – right drain	<input type="checkbox"/> 0	<input type="checkbox"/> Other_____

Required Accessories

K-1010	Grab bar	<input type="checkbox"/> CP	<input type="checkbox"/> Other_____
K-7271	Clearflo slotted overflow brass bath drain OR	<input type="checkbox"/> CP	<input type="checkbox"/> PB <input type="checkbox"/> Other_____
K-7272	Clearflo slotted overflow bath drain - PVC pipe	<input type="checkbox"/> CP	<input type="checkbox"/> PB <input type="checkbox"/> Other_____

Recommended Accessories

K-2971-KS	HiFlow Rite-Temp® valve with stops	<input type="checkbox"/> NA	
K-728-K	Mastershower® three-way/two-way transfer valve	<input type="checkbox"/> NA	
K-977	Handspray hose		<input type="checkbox"/> CP
K-8820	Strainer drain		<input type="checkbox"/> CP
K-10257	Ellipse handshower - black handle		<input type="checkbox"/> CP
K-11891	Purist® grab bar		<input type="checkbox"/> Other_____

Note

Installations at high altitude may affect product performance. Contact Kohler Co. if installing more than 6000 ft (1828.8 m) above sea level.

ELEVANCE® RISING WALL

Technical Information

Fixture*:	
Bathing well:	
Basin area, bottom	43" (1092 mm) x 22-1/2" (572 mm)
Basin area, top	48-3/4" (1238 mm) x 23-3/8" (594 mm)
Weight	266 lbs (119.7 kg)
To overflow:	
Water depth	14" (406 mm) at the seat area, 19-3/4" (502 mm) at the drain area
Capacity	72 gal (273 L) without a bather
* Approximate measurements for comparison only.	

	V	A	Hz
Door/System controller/Heater	120	1.6	60

Required Electrical Service

120 V circuit required. Locate a Class A Ground-Fault Circuit-Interrupter (GFCI) or Residual Current Device (RCD) duplex outlet within 24" (610 mm) of the door/system controller.

Door/System controller/Heater

120 V, 15 A, 60 Hz

Installation Notes

Install this product according to the installation guide.

Floor support under the bath must provide for a minimum of 60 lbs/square foot (293 kg/square meter) loading.

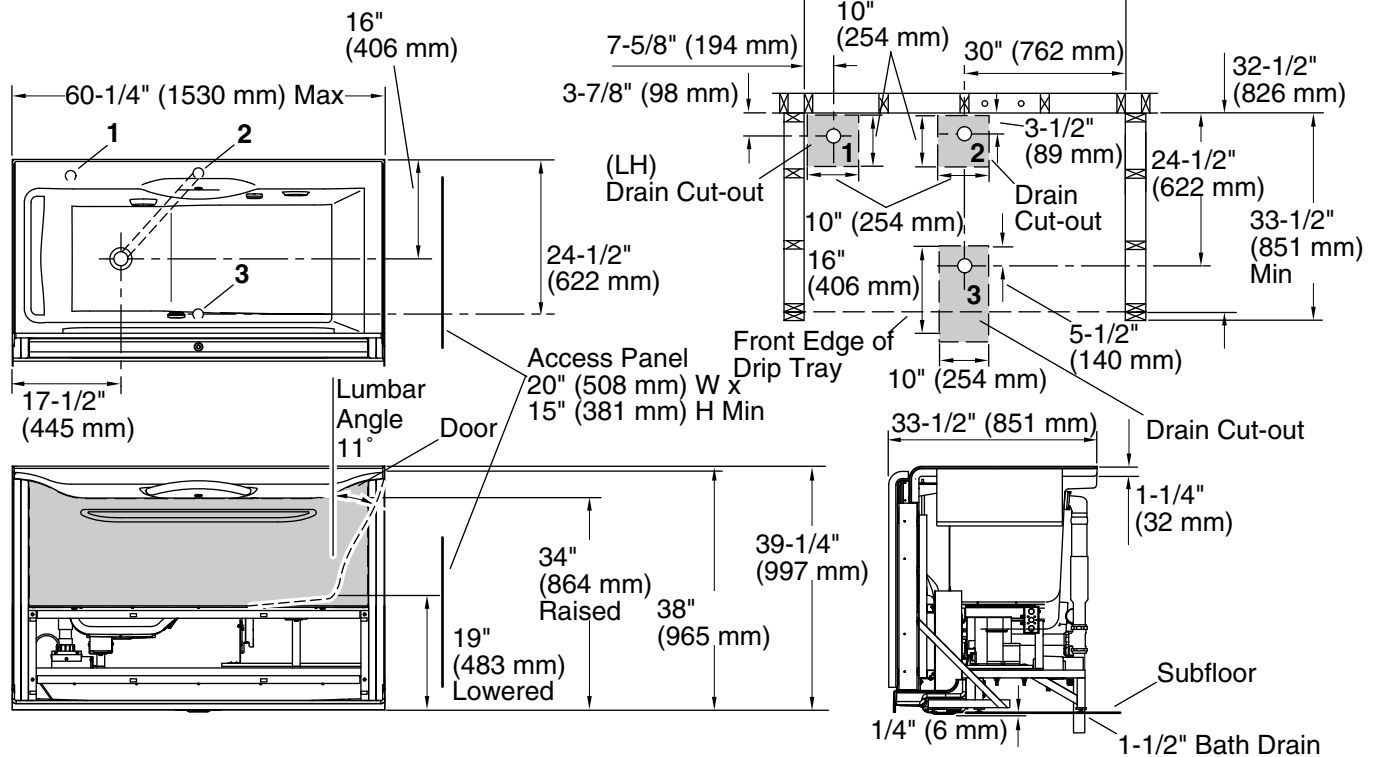
NOTICE: Three drains are required. Drains 1 and 2 require a 10" (254 mm) x 10" (254 mm) cut-out. Drain 3 requires a 10" (254 mm) x 10" (254 mm) cut-out if accessible from below. For above-floor access, make a 10" (254 mm) x 16" (406 mm) cut-out. Support the finished floor accordingly.

A 350 VA size or greater Uninterruptible Power Supply (UPS) is recommended for areas of routine or prolonged power outages.

Locate a GFCI-protected 120 V, 15 A, grounded duplex electrical outlet within 24" (610 mm) of the door/system controller.

Will comply with **ADA** when installed per Section 607 Bathtubs of the ADA 2010 Standards for Accessible Design.

No change in measurements if connected with drain illustrated. (K-7272)



Product Diagram