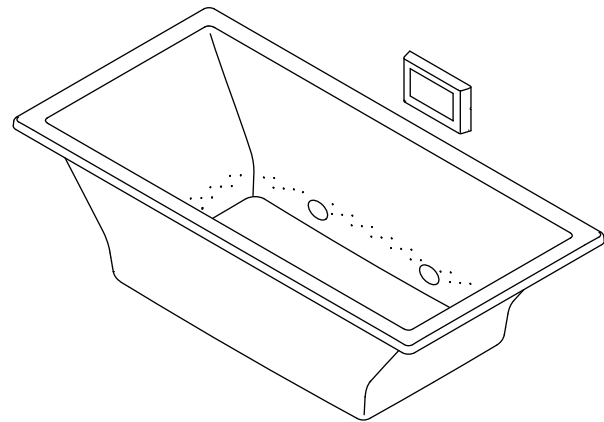


Features

- Acrylic
- Six transducers and a control amplifier with 25' (7.6 m) of wiring
- User-friendly high-resolution color touch screen (in polished chrome)
- 122 BubbleMassage™ airjets
- With Zones of Control™ feature
- Blower motor with 300 W heater
- Slotted overflow for maximum bathing depth
- Molded lumbar support for comfort
- Available with four chromatherapy lights and Bask™ heated surface with three temperature settings [-GVBCW]
- Drop-in or under-mount installation
- Center drain
- 72" (1829 mm) x 36" (914 mm) x 23" (584 mm)

VIBRACOUSTIC® BUBBLEMESSAGE™ BATH K-1835-GVB ALSO K-1835-GVBCW



Codes/Standards Applicable

Specified model meets or exceeds the following:

- ASME A112.19.7/CSA B45.10
- CSA B45.5/IAPMO Z124
- ASTM E162
- ASTM E662
- UL 1795

Colors/Finishes

- 0: White
- CP: Polished Chrome
- BN: Brushed Nickel
- NA: None applicable
- Other: Refer to Price Book for additional colors/finishes

Specified Model

Model	Description	Colors/Finishes	
K-1835-GVB	VibrAcoustic BubbleMassage bath	<input type="checkbox"/> 0	<input type="checkbox"/> Other _____
K-1835-GVBCW	VibrAcoustic BubbleMassage bath with Bask and chromatherapy (shown)	<input type="checkbox"/> 0	<input type="checkbox"/> Other _____
Required Accessories			
K-7271	Clearflo slotted overflow brass bath drain OR	<input type="checkbox"/> CP	<input type="checkbox"/> Other _____
K-7272	Clearflo slotted overflow bath drain – PVC pipe	<input type="checkbox"/> CP	<input type="checkbox"/> Other _____
Optional Accessories			
1172315	VibrAcoustic interface mounting plate (non-CP finish) (cont.)	<input type="checkbox"/> BN	

Product Specification

The acrylic VibrAcoustic bath shall be 72" (1829 mm) in length, 36" (914 mm) in width, and 23" (584 mm) in height. Bath shall feature six transducers and a control amplifier with 25' (7.6 m) of wiring. Bath shall feature a user-friendly high-resolution color touch screen (in polished chrome). Bath shall have blower motor with 300 W heater, 122 BubbleMassage airjets, and Zones of Control. Bath shall feature slotted overflow for maximum bathing depth, and molded lumbar support for comfort. Bath shall be available with four chromatherapy lights and Bask heated surface with three temperature settings [-GVBCW]. Bath shall be for drop-in or under-mount installation. Bath shall have center drain. Bath shall be Kohler Model K-1835-_____-_____-_____.

UNDERScore®

K-593	(cont.) Under-mount kit	<input type="checkbox"/> NA
-------	-------------------------	-----------------------------

Technical Information

Fixture: Approx. measurements for comparison only.	
Bathing well:	
Basin, bottom	45-3/4" (1162 mm) x 25-15/16" (659 mm)
Basin, top	65-3/8" (1661 mm) x 29-5/16" (745 mm)
Weight	117 lbs (53.1 kg)
To overflow:	
Water depth	19-7/16" (494 mm)
Capacity	112.9 gal (427 L)

Drop-in cutout	71-1/2" (1816 mm) x 35-1/2" (902 mm)
----------------	--------------------------------------

Blower motor/control	300 W	120 V	60 Hz	10 A
Amplifier	15 W (per channel)	120 V	50/60 Hz	-
Heater	65 W	120 V	60 Hz	0.5 A

Required Electrical Service: Dedicated circuit required, protected with Class A Ground-Fault Circuit-Interrupter (GFCI) or Residual Current Device (RCD):
Blower motor/heater/amplifier: 120 V, 15 A, 60 Hz

Installation Notes

Install this product according to the installation guide. Ensure that the bath, user interface, amplifier, and transducers are functional before completing the installation.

Control amplifier fits 16" (406 mm) center studs. 25' (7.6 m) cables are included.

Locate the bath within 24" (610 mm) of a GFCI-protected 120 V, 15 A grounded electrical outlet. A second grounded outlet within the wall framing must be within 24" (610 mm) of the planned control amplifier. One electrical service may be used for the entire bath and related electrical components.

Hot water supply should be 70% of capacity or greater. Installations will vary.

Floor support under bath must provide for a minimum of 58.6 lbs/square foot (286 kg/square meter) loading.

