



Cimarron®

Comfort Height® Touchless Toilet

K-6418

Features

- Vitreous China
- Elongated Bowl
- Comfort Height®
- AquaPiston® flushing system
- Touchless Technology allows hands-free operation to actuate the flush
- Less seat and supply
- 1.28 gpf (4.8 lpf)
- 2-1/8" (54 mm) glazed trapway
- 10-1/2" (267 mm) x 7-7/8" (200 mm) water area.

Installation

- 12" (305 mm) rough-in
- 28-3/4" (730 mm) x 17-5/8" (448 mm) x 30-3/4" (781 mm)

Recommended Accessories

- K-7637
- K-4774 Toilet Seat

Components

Product includes:

- K-4309
- K-5692
- Additional included component/s: Bowl, Tank, Tank Cover, and Touchless Flush Kit.



For complete listing of available colors, go to kohler.com.



Codes/Standards

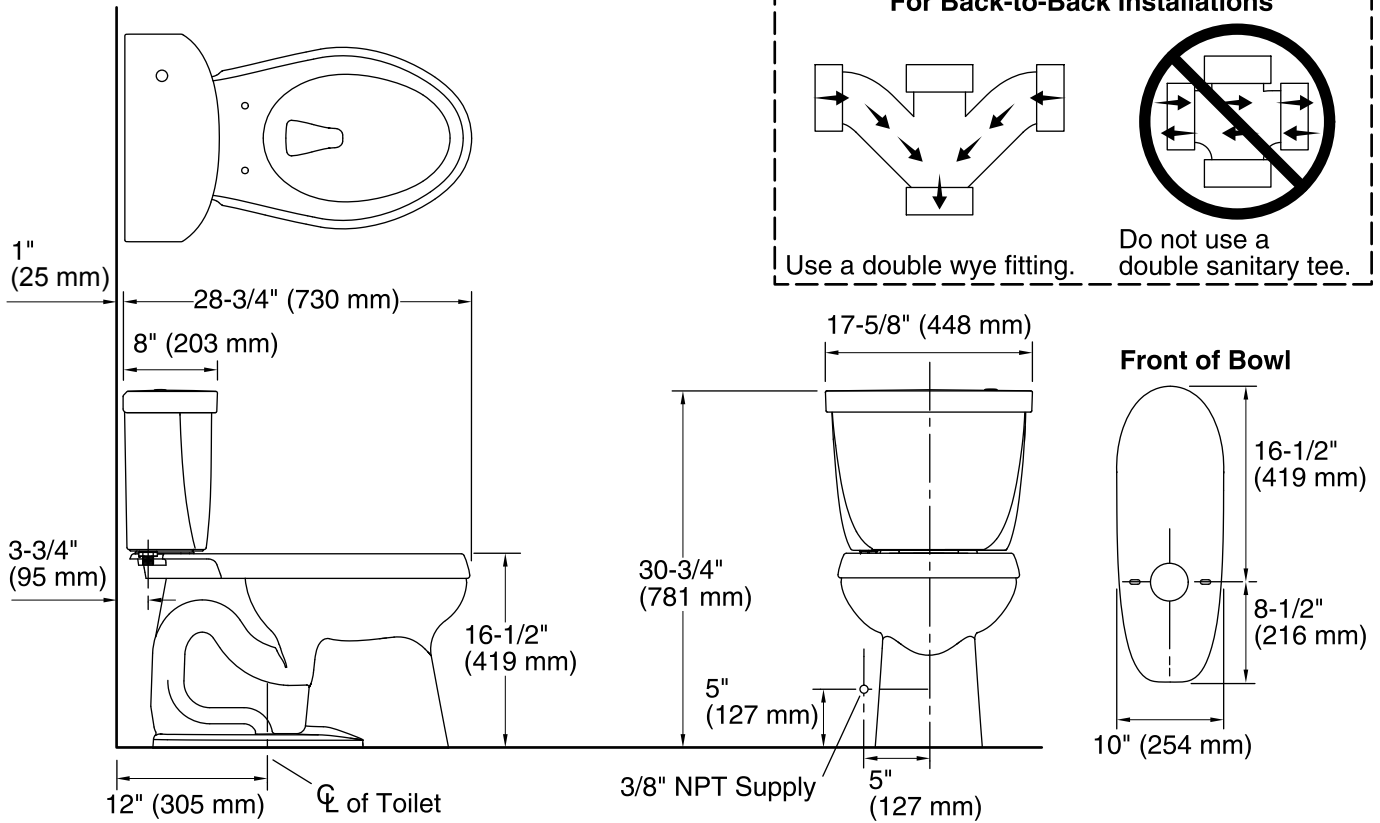
ASME A112.19.2/CSA B45.1
DOE - Energy Policy Act 1992
EPA WaterSense®

KOHLER® One-Year Limited Warranty

See website for detailed warranty information.

Product Specification

Toilet shall be 28-3/4" (730 mm) in length, 17-5/8" (448 mm) in width, and 30-3/4" (781 mm) in height. Toilet shall be made of vitreous china. Toilet shall be two-piece. Toilet shall be 1.28 gpf (4.8 lpf). Toilet shall feature touchless actuation. Toilet shall be Comfort Height®. Toilet shall be a 12" (305 mm) rough-in. Toilet shall be KOHLER Model K-6418.



Technical Information

All measurements are nominal.

Toilet style:	Two-piece
Bowl shape:	Elongated front
Passageway:	2-1/8" (54 mm)
Flush rate - full:	1.28 gpf (4.8 lpf)
Water area:	10-1/2" x 7-7/8" (267 mm x 200 mm)
Rim to water height:	6-3/8" (162 mm)
Rough-in:	12" (305 mm)
Seat hole centers:	5-1/2" (140 mm)

Installation Notes

Install this product according to the installation guide.

For back-to-back toilet installations: Use only a 45° double wye fitting.