

# INSTALLATION INSTRUCTIONS

Item#P1091-077/631 (New. 03/01/2012)

READ AND SAVE THESE INSTRUCTIONS

**WARNING! SHUT POWER OFF AT FUSE OR CIRCUIT BREAKER.**

**AVERTISSEMENT! COUPER LE COURANT AU NIVEAU DES FUSIBLES OU DU DISJONCTEUR.**

## HANGING THE FIXTURE (Fig. 1)

1. Carefully remove the fixture from the carton and check that all parts are included as shown in the illustration.
2. Shut off power at the circuit breaker and remove the old fixture including the mounting hardware
3. Secure the tube (M) with canopy onto the nipple (L) located on the fixture body (E).
4. Connect the steel cable to the fixture body by threading screws (F) into coupling (G)
5. Attach the circular strap (A) to the junction box with mounting screws (B) (Size: #8-32N\*L0.5"). The side of the circular strap with "GND" marked on it and two convex points must face out.

## CONNECTING THE WIRES (Fig. 2)

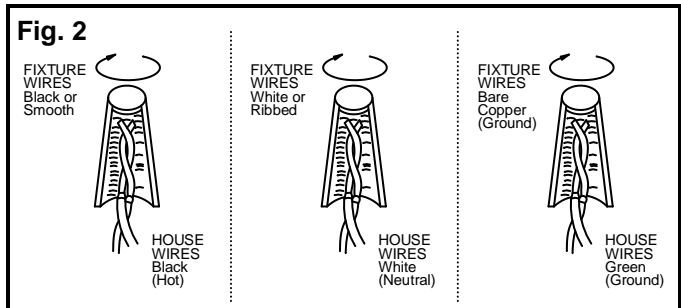
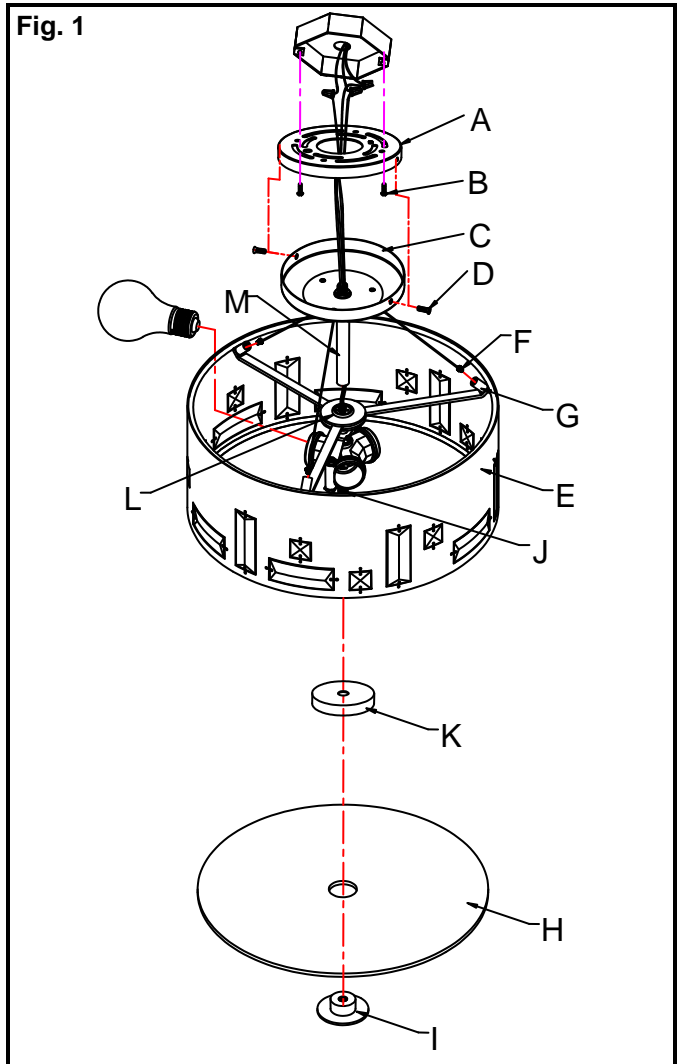
6. At this point, connect the electrical wire as shown in figure 2, making sure that all wire connectors are secured. If your outlet has a ground wire (green or bare copper), connect the fixtures ground wire to it. Otherwise, connect the fixture ground wire directly to the circular strap using the green screw provided.

## COMPLETING THE INSTALLATION (Fig. 1)

7. Install the 3\*100W E26 (MED BASE) light bulbs (G) (not included) in accordance with fixture specifications. **(DO NOT EXCEED THE MAXIMUM WATTAGE RATING!). (NE PAS DEPASSER LA PUISSANCE NOMINALE MAXIMALE!)**
8. Align canopy (C) over the circular strap (A) and secure with screws (D).
9. Align spacer (K) followed by glass shade (H) onto nipple (J) and secure with finial (I).

Your installation is now complete. Return power to the junction box and test the fixture.

**Note: Illustration (Fig. 1) on this manual is for installation purposes only. It may or may not be identical to the fixture purchased.**



**IMPORTANT: FIXTURE SHOULD BE INSTALLED BY A QUALIFIED ELECTRICIAN TO ENSURE PROPER WIRING AND INSTALLATION.**



LA-2188E