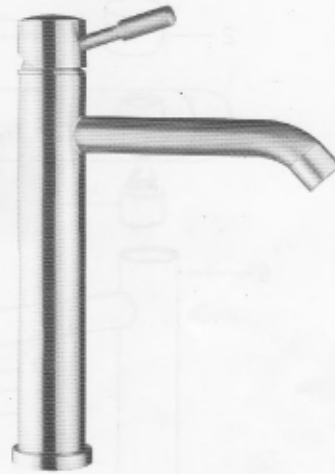


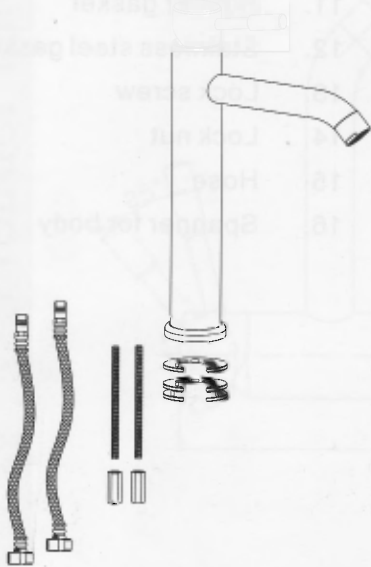
Installation Instruction

Single Handle Lavatory Faucet



Before Your Installation

Check to make sure you have the following parts indicated below:



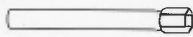
Tools You Will Need



Adjustable wrench



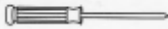
Pipe tape
(supplied)



Spanner for body
(supplied)



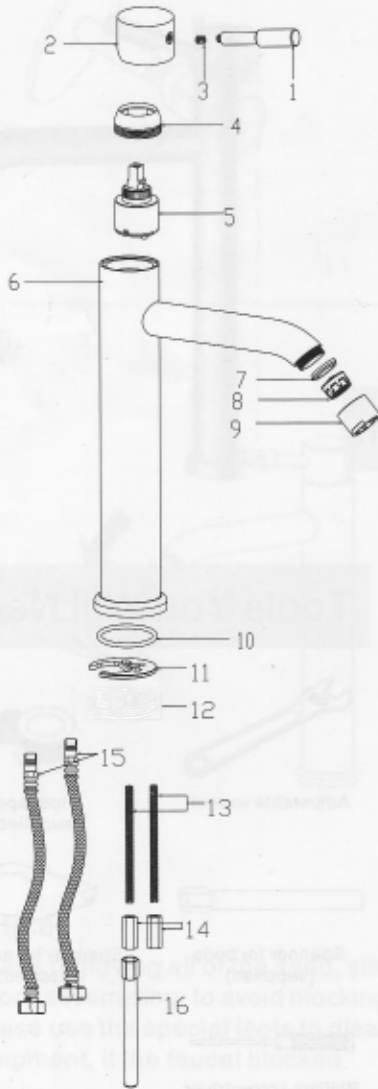
Spanner for aerator
(supplied)



Phillips screwdriver

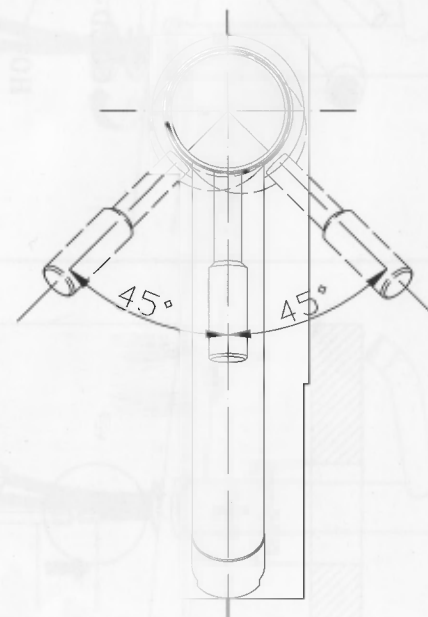
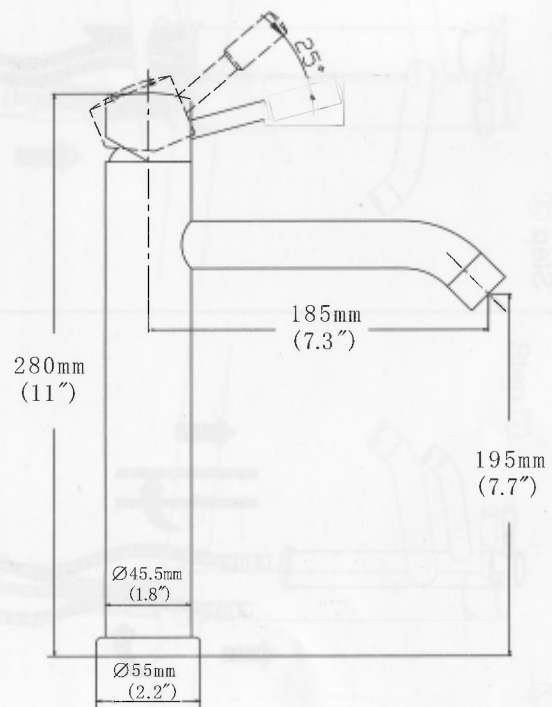
Replacement Parts

Keep this manual for ordering replacement parts.



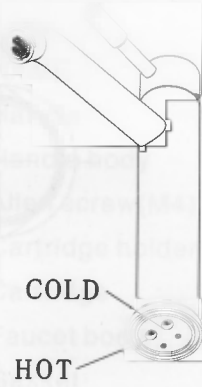
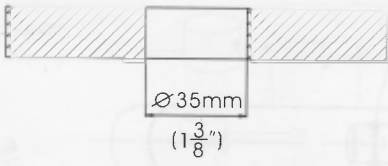
NO	NAME
1.	Handle
2.	Handle body
3.	Allen screw(M4)
4.	Cartridge holder
5.	Cartridge
6.	Faucet body
7.	Gasket
8.	Aerator
9.	Aerator holder
10.	O ring
11.	Rubber gasket
12.	Stainless steel gasket
13.	Lock screw
14.	Lock nut
15.	Hose
16.	Spanner for body

Product Dimension Drawing

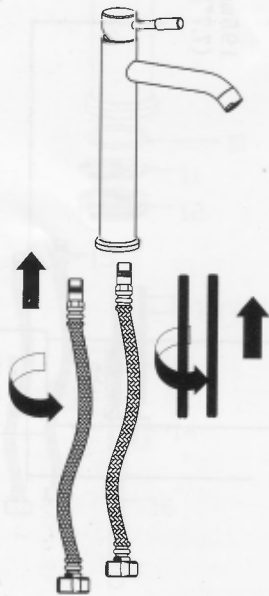


Faucet Installation Procedures

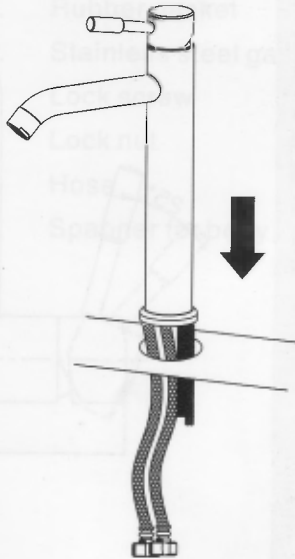
Step ①



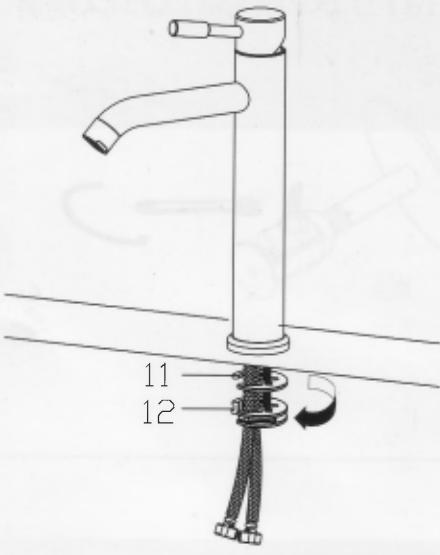
Step ②



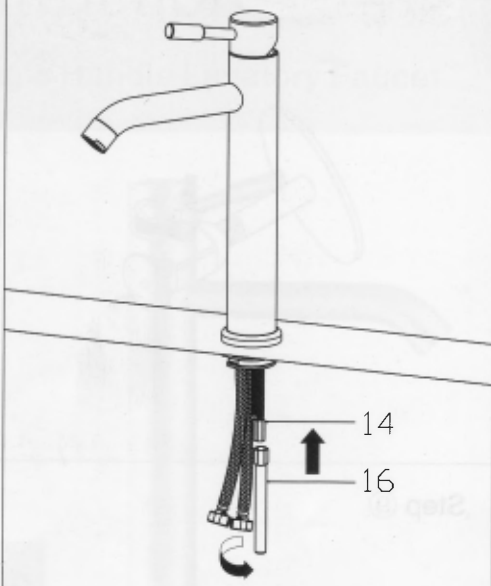
Step ③



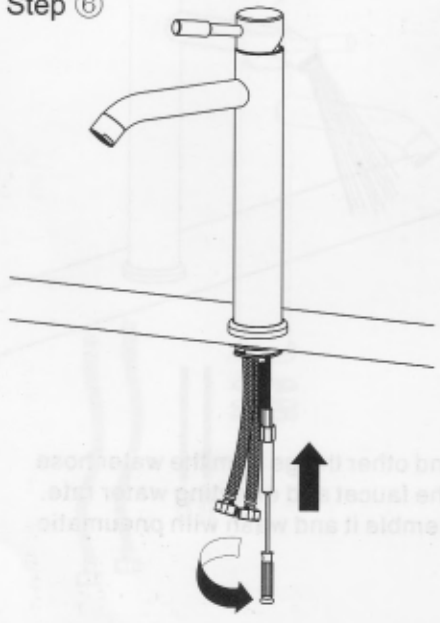
Step ④



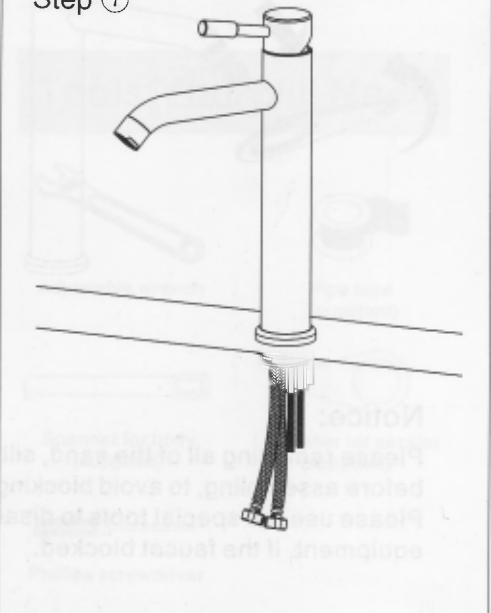
Step ⑤



Step ⑥



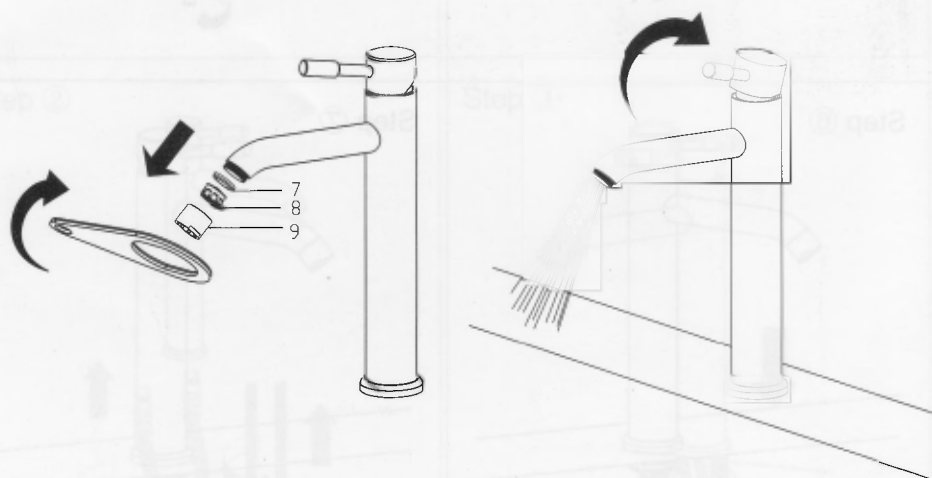
Step ⑦



Step ⑧



Step ⑨



Notice:

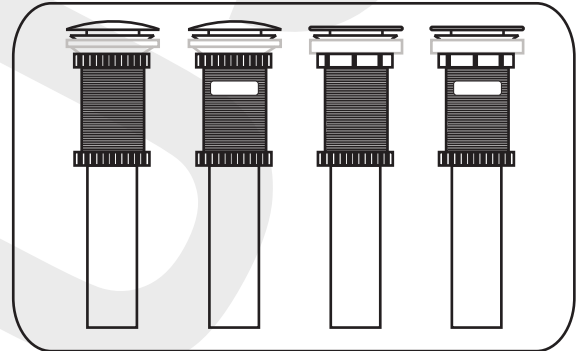
Please removing all of the sand, silt and other things from the water hose before assembling, to avoid blocking the faucet and effecting water rate. Please use the special tools to disassemble it and wash with pneumatic equipment, if the faucet blocked.



Product Description and Measurements

Pop-Up Drain

- ★ Exclusive Kraus Collection
- ★ Model-PU-10
- ★ Model-PU-11 With Overflow
- ★ Model-PU-12
- ★ Model-PU-13 With Overflow



Thank You

Dear Valued Customer,
Kraus would like to take this opportunity to thank you for this purchase. It is our sincere hope that you are completely satisfied with your new product. We welcome any questions or comments that you may have and look forward to assisting you with your accessory needs in the future.

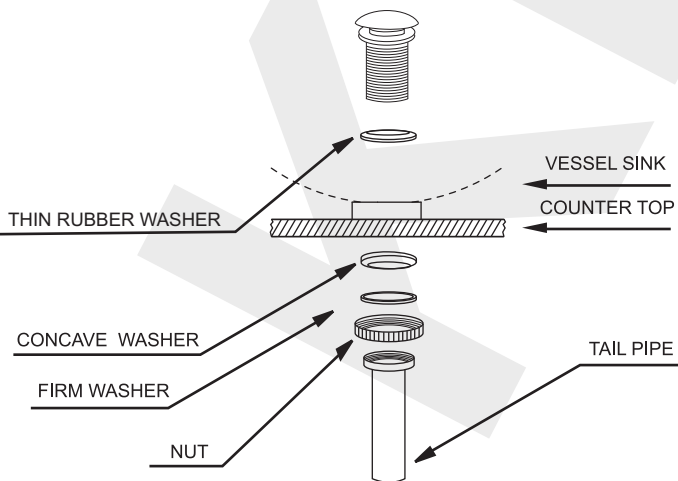
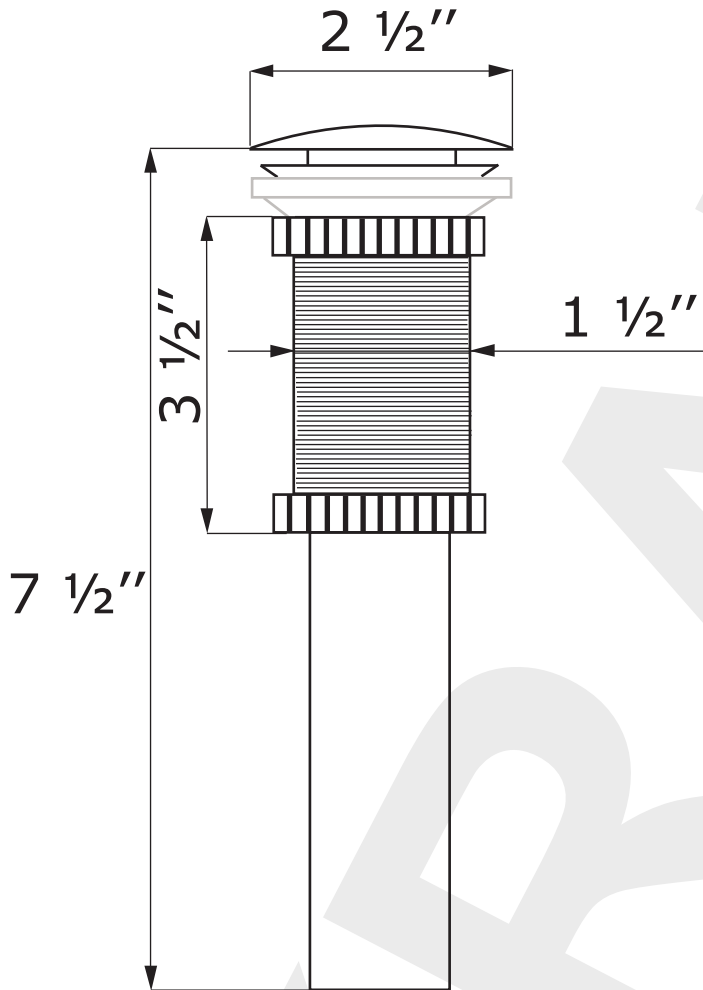
Sincerely,
Kraus customer service department.

Prior To Installation Steps

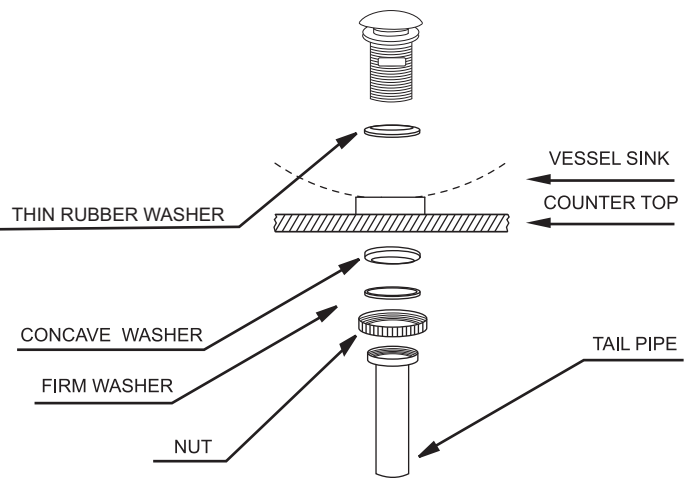
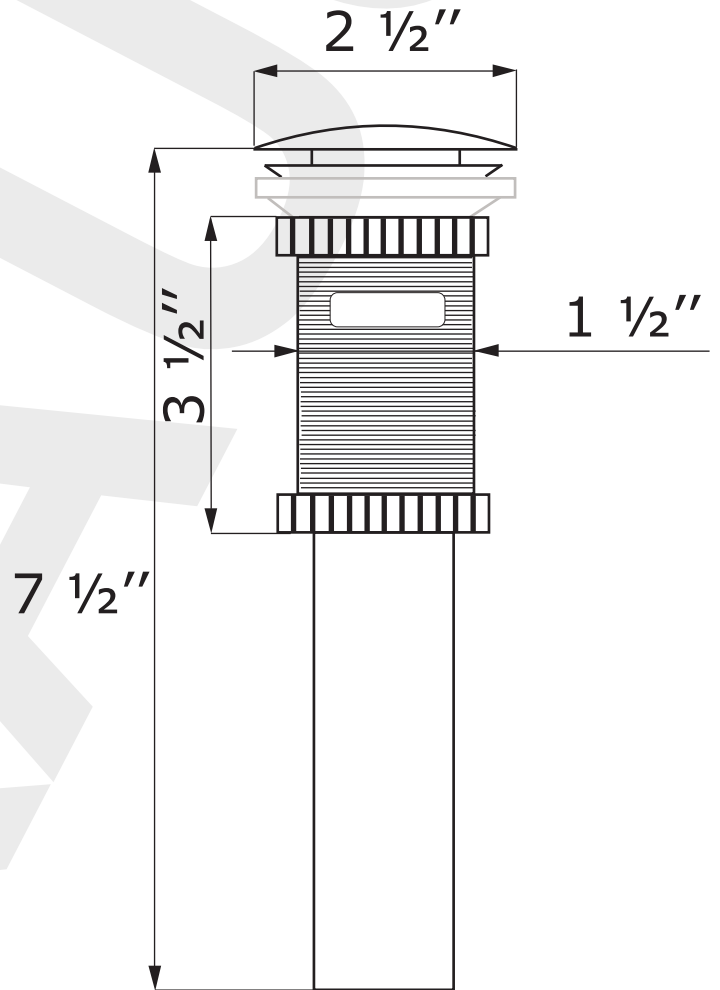
1. Unpack your new product and ensure that all the parts are included in the packaging. Keep the product in its original box until you ready to install it.
2. The counter top must be flat.
3. Shut off the water supply.
4. Observe all plumbing and building codes in your area.
5. It is recommended that installation of the product be done by a professional plumber.

Rough-In Dimensions

Model-PU10

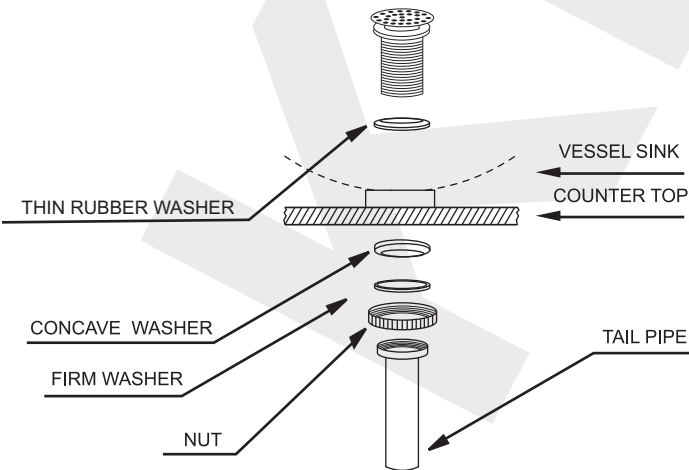
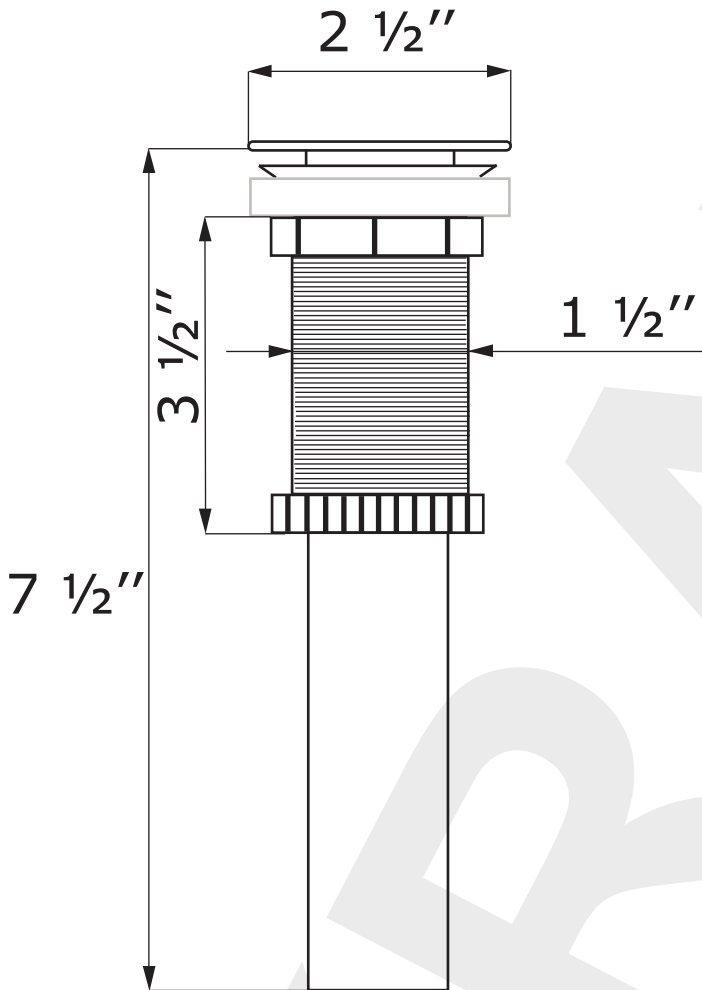


Model-PU11 With Overflow



Rough-In Dimensions

Model-PU12



Model-PU13 With Overflow

