

Kräus[®]
Where Creativity Is Endless

Dear Valued Customer,

Kraus would like to take this opportunity to thank you for purchasing Kraus products. It is our sincere hope that you are completely satisfied with your new purchase. We welcome any questions or comments you may have, and look forward to assisting you in the future.

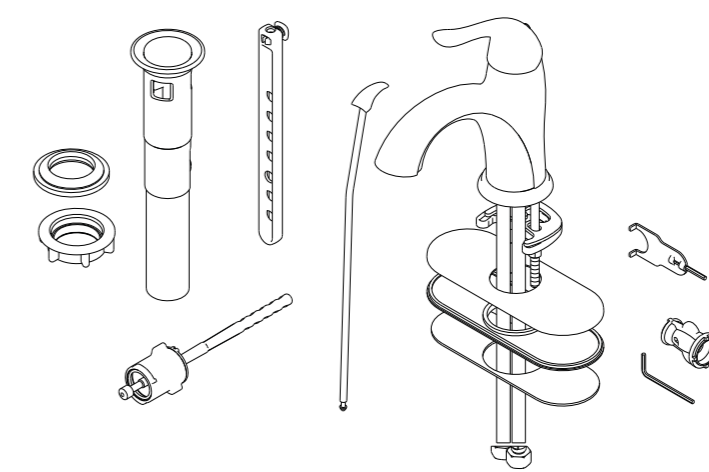
Sincerely,
Kraus Customer Service Department.



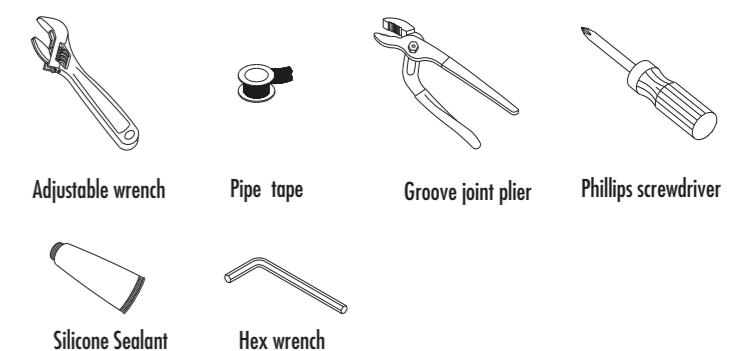
Single Handle Lav Faucet

Before Your Installation

Check to make sure you have the following parts indicated below:



Tools You Will Need



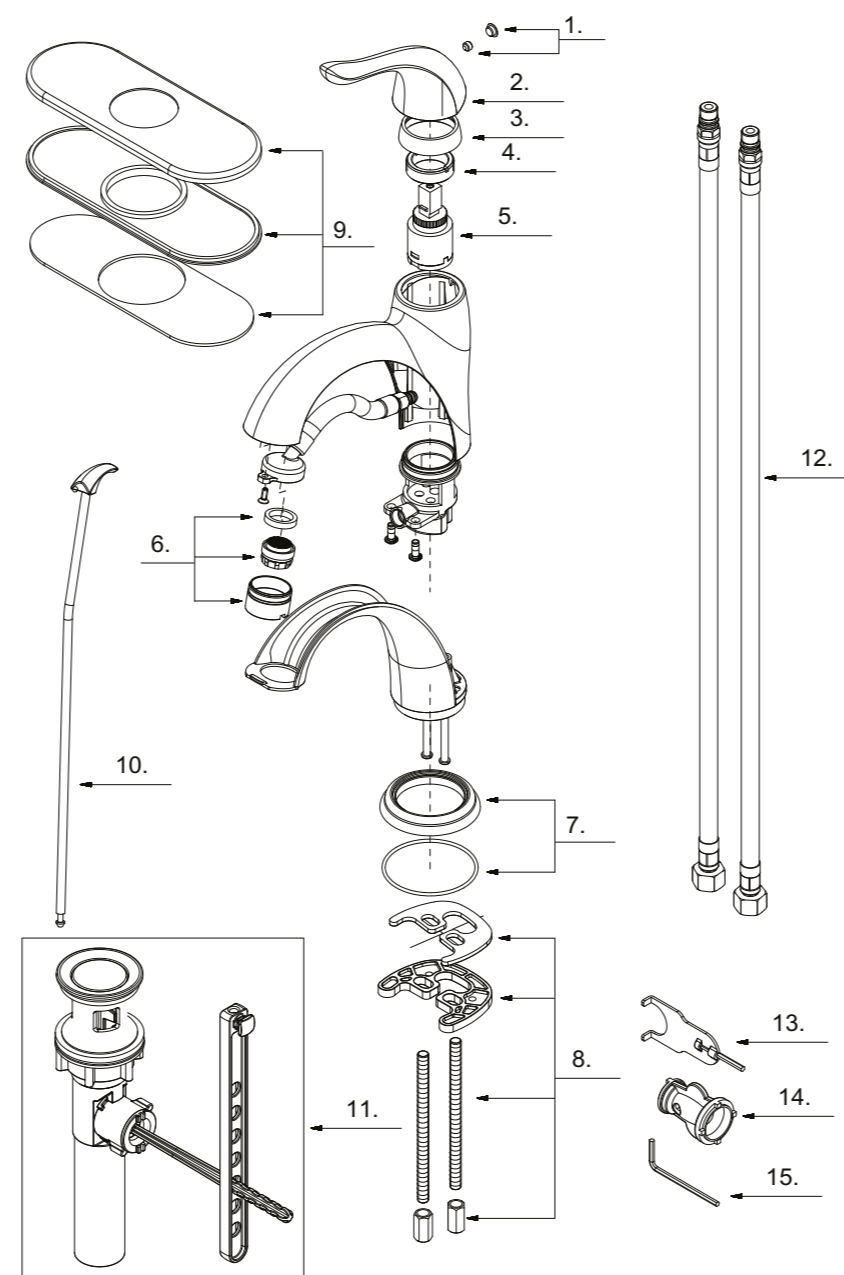
Model
FUS-1011CH
FUS-1011SN
FUS-1011ORB

SAFETY TIPS
 • Cover your drain to avoid losing parts.
 • When installing flexible traps, please notice: there should be no torsion or deformation; do not fold into Shape V or L; do not use if there is any crack or deformation.

Contact Us Toll-Free at 1-800-775-0703; or visit our website at www.kraususa.com. © 2008-2009 Kraus USA Inc.

Replacement Parts

Keep this manual for ordering replacement parts.



- 1 Index Button
- 2 Metal Handle
- 3 Trim Cap
- 4 Locking Nut
- 5 Ceramic Disc Cartridge
- 6 Aerator
- 7 Base Trim Ring
- 8 Mounting Hardware Assembly
- 9 Cover Plate & Putty Plate
- 10 Lift Rod
- 11 Pop-up Assembly
- 12 Supply Hose
- 13 Wrench
- 14 Wrench
- 15 Wrench (H2.5 * 19 mm L * 53mmL)

Trouble - Shooting

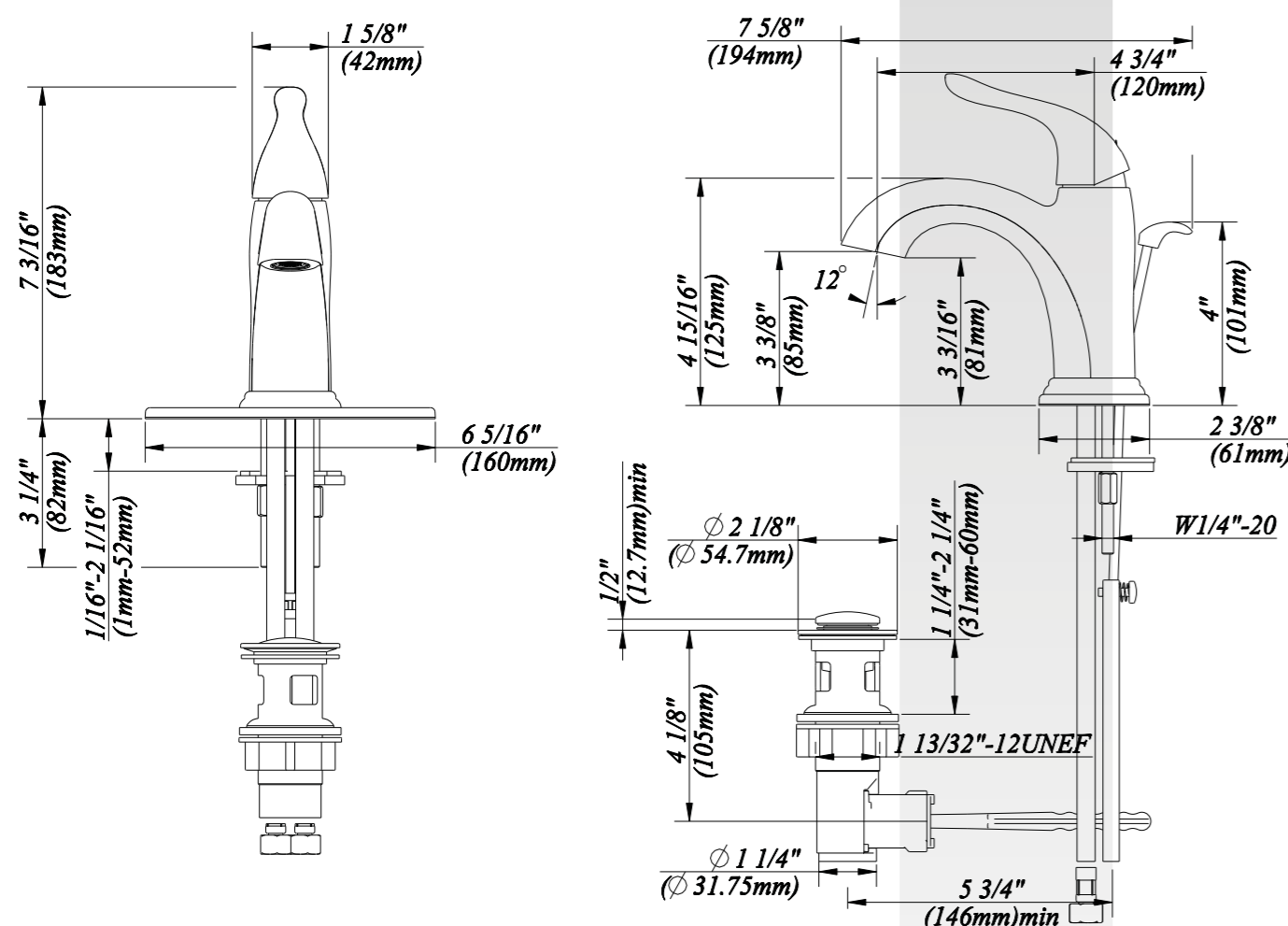
If you've followed the instructions carefully and your faucet still does not work properly, take these corrective steps.

Problem	Cause	Action
Leakage under the handle.	Adjusting ring or cap has come loose.	Tighten the adjusting ring or cap.
Aerator leaks or has an inconsistent water flow pattern.	Aerator is dirty or misfitted.	Unscrew the aerator to check rubber packing or replace the aerator.
Water will not shut off completely.	Dirty or worn out plastic washer in the cartridge.	Remove the handle and the cartridge to check if the ceramic dish is dirty or permanently damaged.

Contact Us Toll-Free at 1-800-775-0703; or visit our website at www.kraususa.com. © 2008-2009 Kraus USA Inc.

Faucet Installation Procedure

Shut off main water supply before installation.

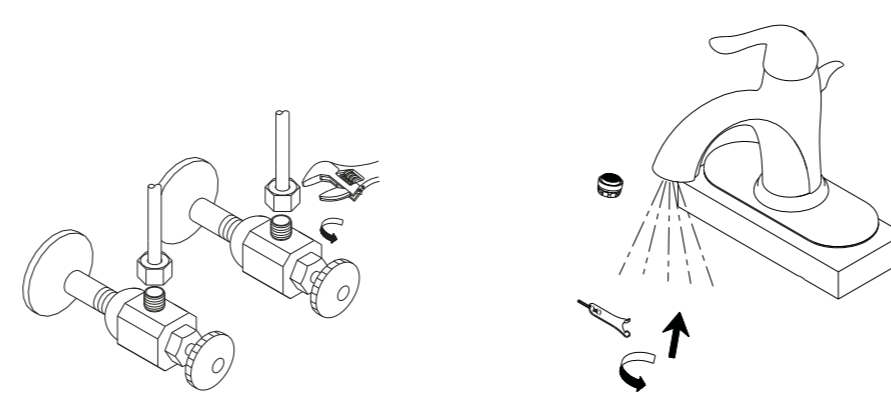


The fittings should be installed by a licensed plumber.

- 1 Remove the mounting hardware from the faucet.
- 2 The cover plate is optional, you may determine whether you need to install it or not.
- 3 Attach rubber washer and metal washer on supply hose. Screw metal threaded rods onto faucet body. Tighten the nut on metal threaded rods.

MAINTENANCE

Your new faucet is designed for years of trouble-free performance. Keep it looking new by cleaning it periodically with a soft cloth. Avoid abrasive cleaners, steel wool and harsh chemicals as these will dull the finish and void your warranty.

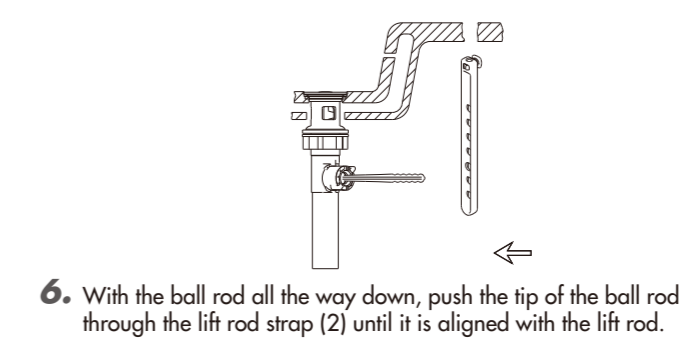


- 4 Slip coupling nut onto inlet port.
- 5 After installing faucet, remove aerator and turn on water to remove any debris. Re-assemble aerator.

Pop-Up Drain Installation

- 1 Place a ring of silicone sealant around drain opening of sink. Insert threaded drain body down through drain hole.
- 2 Thread lock nut from underside of sink until rubber washer sits securely inside opening of sink. Tighten lock nut.
- 3 Insert main plunger into drain with the long side toward the ball rod opening. Insert ball rod (3) into the hole in the main plunger. Turn ball rod nut 1/4 turn to lock in place.
- 4 Place lift rod through the faucet. From below the sink, place the lift rod strap (2) onto the end of the lift rod by pulling out on the knob and pushing the rod into place. Release knob.

Note: Please do not use plumbers putty on plastic components.



- 6 With the ball rod all the way down, push the tip of the ball rod through the lift rod strap (2) until it is aligned with the lift rod.

KRAUS[®] Brand Kitchen Faucets Limited Lifetime Warranty

KRAUS is proud to offer its customers the strongest, most durable ceramic cartridges in all solid brass Kitchen Faucets it manufactures. KRAUS guarantees all of our products to be free of defect in materials and craftsmanship. All KRAUS BRAND Kitchen Faucets carry a limited lifetime warranty from the original date of purchase.

All KRAUS products must be installed by a licensed professional plumber or contractor to avoid any improper use or installation.

IN NO EVENT SHALL KRAUS BE LIABLE FOR ANY INCIDENTAL, CONSEQUENTIAL OR SPECIAL DAMAGES, INSTALLATION COST, LABOR, TRAVEL TIME, FREIGHT COSTS INCURRED, LOST PROFITS, OR CONTINGENT LIABILITIES.

If a product fails due to defect in material or craftsmanship during the warranty period, KRAUS will repair or replace the items at our sole discretion. Warranty does not apply when the item has been tampered with, misused, improperly installed, altered, or damaged due to abuse or accident. Proof of purchase (original sales receipt) must be provided to KRAUS for all warranty claims. Please contact one of our representatives if you need any additional details.

KRAUS USA Inc. makes no representation that its products comply with any or all local building or plumbing codes. It is the consumer's responsibility to determine local code compliance.

This warranty extends to the original purchaser and first consumer.

MAINTENANCE

Your new faucet is designed for years of trouble-free performance. Keep it looking new by cleaning it periodically with a soft cloth. Avoid abrasive cleaners, steel wool and harsh chemicals as these will dull the finish and void your warranty.



AB1953 Compliant