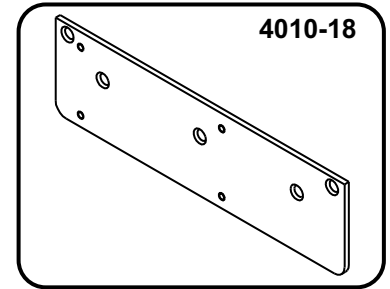
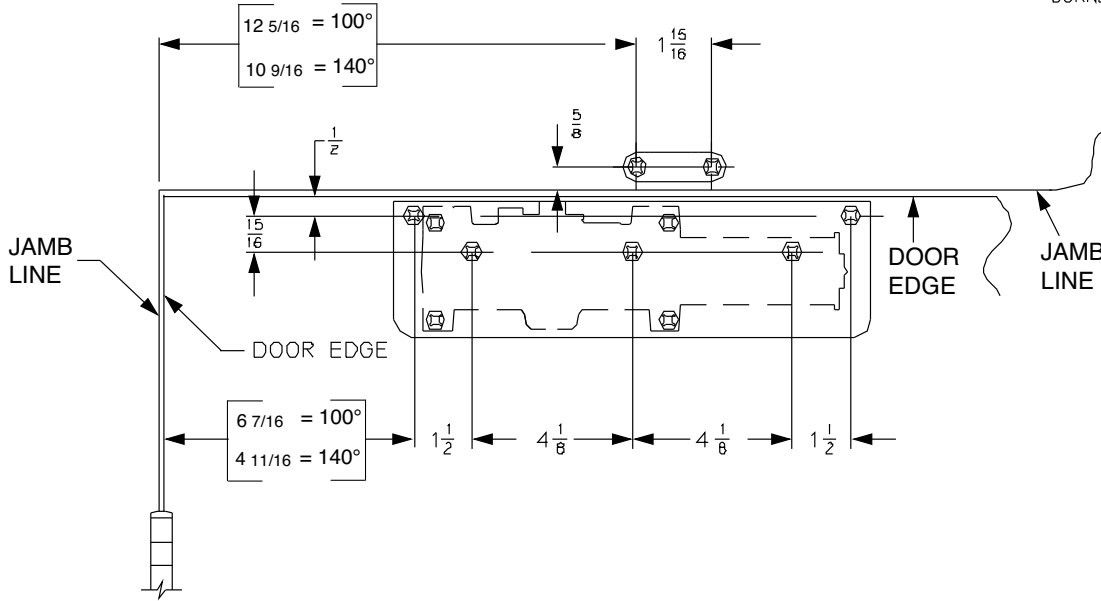


4010 PULL SIDE (DOOR MOUNT) DROP PLATE PERMITS 140° MAXIMUM OPENING

PULL SIDE MOUNT ON: 4010-18 DROP PLATE

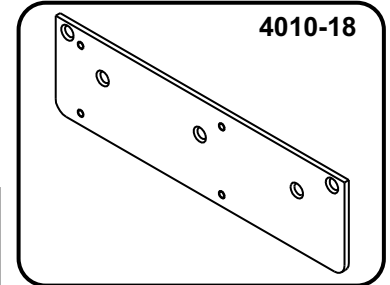
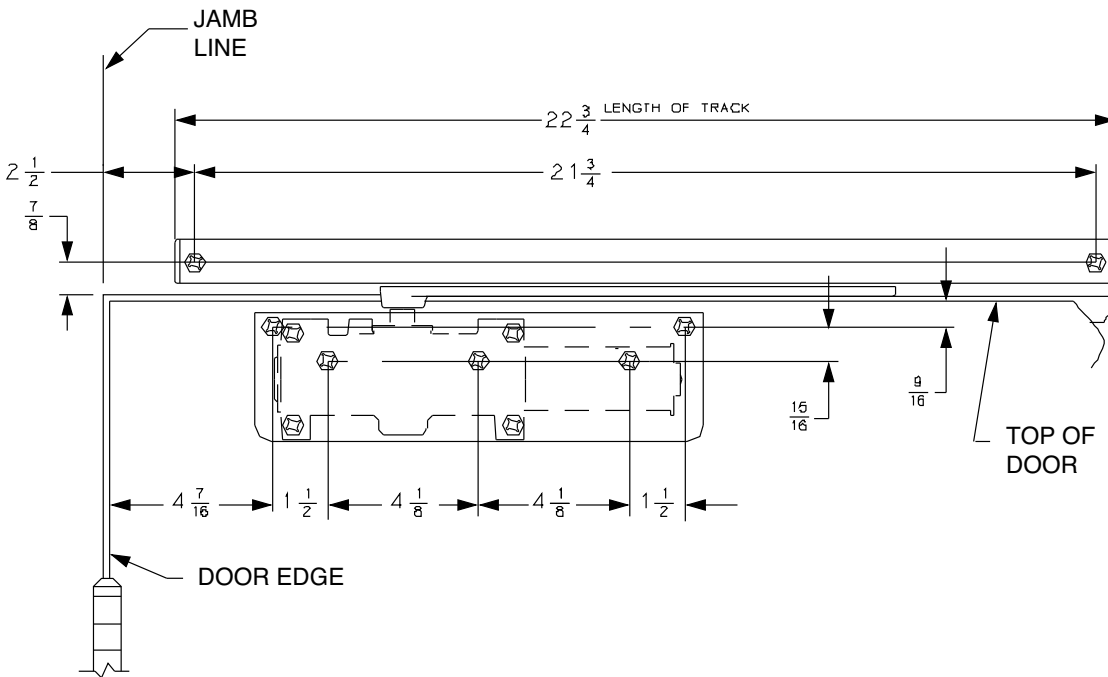
FOR 180° OPENING, MOUNT CLOSER ON No. 11 CORNER BRACKET SEE TEMPLATE 4010-CB



RIGHTHAND DOOR SHOWN, LEFT HAND DOOR OPPOSITE

4010 TRACK PULL SIDE (TOP JAMB) DROP PLATE PERMITS 180° MAXIMUM OPENING

PULL SIDE MOUNT ON: 4010-18 DROP PLATE



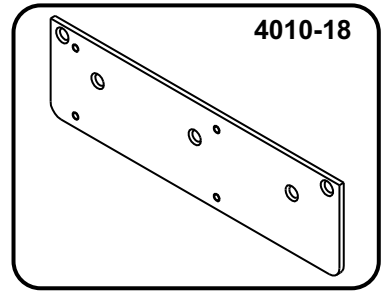
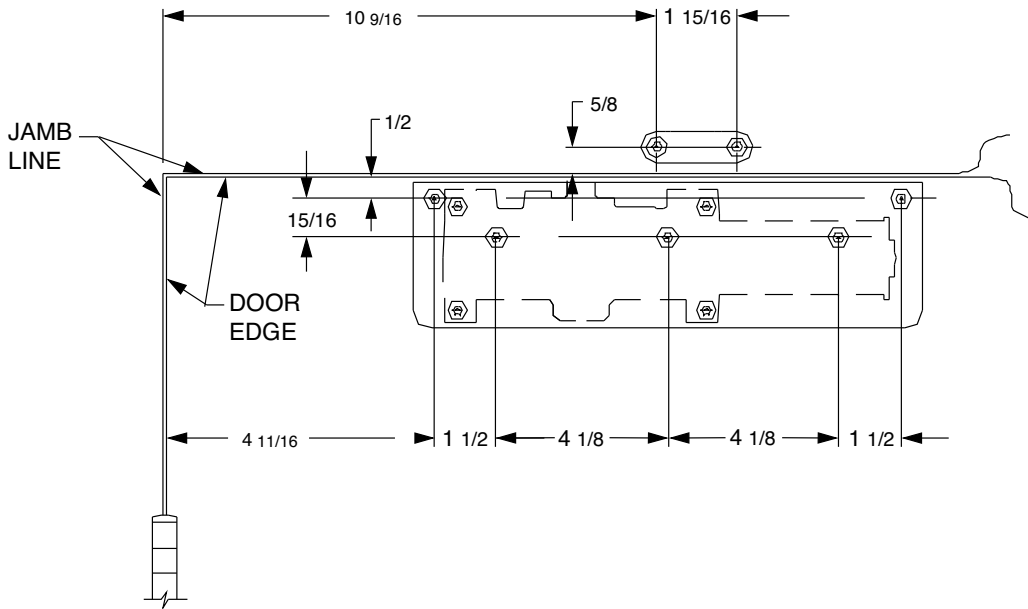
RIGHTHAND DOOR SHOWN, LEFT HAND DOOR OPPOSITE



| | | | | | | | | | | |
|------|-------|--------|---------|--------|--------|-------|---------|---------|--------|--------|
| INCH | 1/2 | 9/16 | 5/8 | 7/8 | 15/16 | 1 1/2 | 1 3/4 | 1 15/16 | 2 1/2 | |
| M.M. | 13 | 14 | 16 | 22 | 24 | 38 | 44 | 49 | 64 | |
| INCH | 4 1/8 | 4 7/16 | 4 11/16 | 6 7/16 | 7 7/16 | 8 5/8 | 10 9/16 | 12 5/8 | 21 3/4 | 22 3/4 |
| M.M. | 105 | 113 | 119 | 164 | 189 | 219 | 268 | 321 | 553 | 578 |

4510 PULL SIDE (DOOR MOUNT) DROP PLATE PERMITS 140° MAXIMUM OPENING

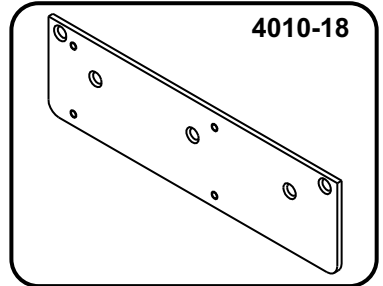
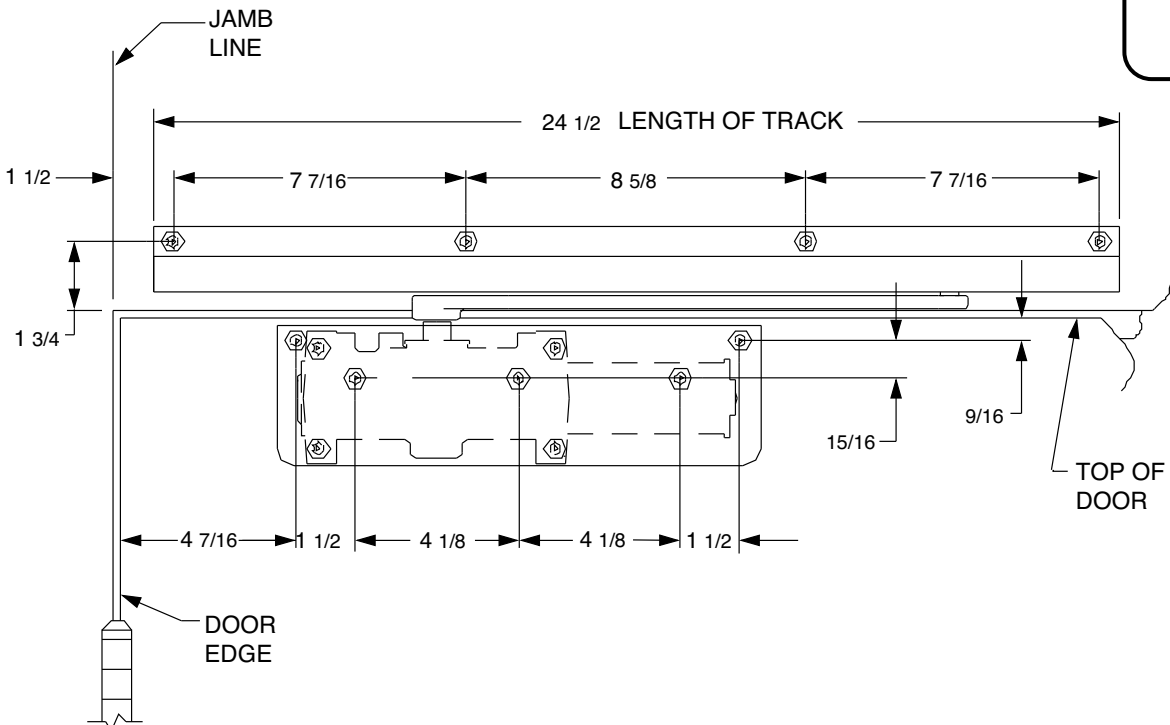
PUSH SIDE MOUNT ON: 4010-18 DROP PLATE



RIGHTHAND DOOR SHOWN, LEFT HAND DOOR OPPOSITE

4510 TRACK PULL SIDE (TOP JAMB) DROP PLATE PERMITS 180° MAXIMUM OPENING

PUSH SIDE MOUNT ON: 4010-18 DROP PLATE



RIGHTHAND DOOR SHOWN, LEFT HAND DOOR OPPOSITE



| | | | | | | | | | |
|------|---------------|----------------|---------------|---------------|-----------------|-----------------|-----------------|-------------------|-----------------|
| INCH | $\frac{1}{2}$ | $\frac{9}{16}$ | $\frac{5}{8}$ | $\frac{7}{8}$ | $\frac{15}{16}$ | $1 \frac{1}{2}$ | $1 \frac{3}{4}$ | $1 \frac{15}{16}$ | $2 \frac{1}{2}$ |
| M.M. | 13 | 14 | 16 | 22 | 24 | 38 | 44 | 49 | 64 |

| | | | | | | | | | | |
|------|-----------------|------------------|-------------------|------------------|------------------|-----------------|-------------------|------------------|------------------|------------------|
| INCH | $4 \frac{1}{8}$ | $4 \frac{7}{16}$ | $4 \frac{11}{16}$ | $6 \frac{7}{16}$ | $7 \frac{7}{16}$ | $8 \frac{5}{8}$ | $10 \frac{9}{16}$ | $12 \frac{5}{8}$ | $21 \frac{3}{4}$ | $22 \frac{3}{4}$ |
| M.M. | 105 | 113 | 119 | 164 | 189 | 219 | 268 | 321 | 553 | 578 |