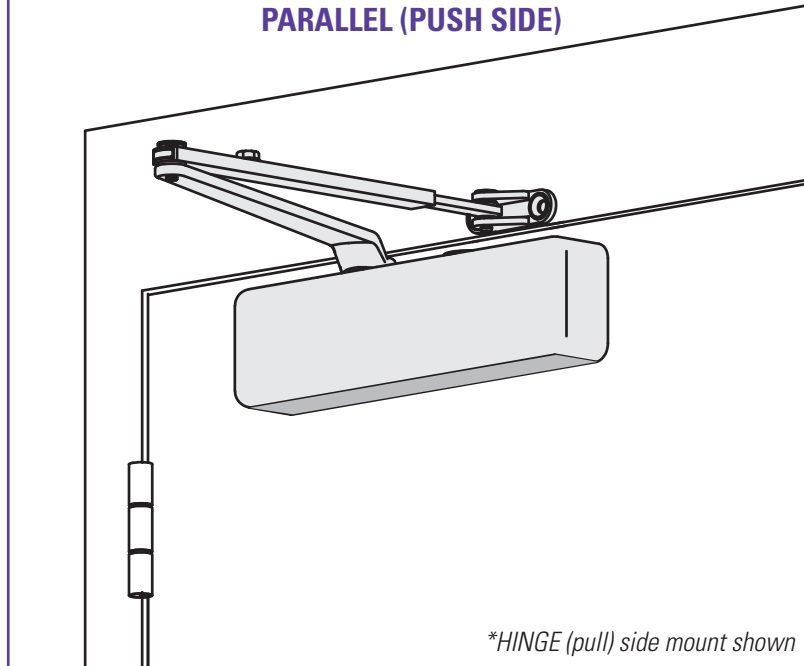


# LCN 4030 SERIES

FEATURES

**New  
Versatile  
4031**

**CLOSER MOUNTS**  
**\*HINGE (PULL) SIDE**  
**TOP JAMB (PUSH SIDE)**  
**PARALLEL (PUSH SIDE)**



*The 4031 is a cast iron, universal closer designed specifically for doors in moderate traffic conditions. This versatile closer compliments the rest of the heavy duty 4000 Series and offers the choice of three mountings and multiple arm options.*

- ▶ **Cast Iron**
- ▶ **Forged Steel Main Arm**
- ▶ **Heat Treated Steel Pinion**
- ▶ **All Weather Fluid**
- ▶ **UL & cUL Listed**

- ▶ Standard new 4030 series closer is shipped with forged regular arm, metal cover and wood/self-tapping machine screw pack. See 4030 Series pages 30 & 31 for options.
- ▶ Non-sized (1-4) 4031 cylinder for exterior doors to 36" (914 mm) and interior doors to 48" (1219 mm).
- ▶ Closer mounts hinge side, top jamb, and parallel arm, on either right or left swinging doors.
- ▶ Closer meets ADA requirements. See 4030 Series page 32.
- ▶ Standard or optional custom powder coat finish.
- ▶ Optional plated finish on metal cover, arm and fasteners.
- ▶ Optional SRI primer for installations in corrosive conditions is available with powder coat only.
- ▶ The 4030 Series is UL and cUL listed for Self-closing doors without hold-open.
- ▶ Tested and certified under ANSI Standard A156.4, grade one.

MOUNTING					FINISH		COVER		CYLINDER				**ARM FUNCTION									
HINGE (PULL) SIDE	TOP JAMB (PULL)	TOP JAMB (PUSH)	PARALLEL ARM	STOP FACE	POWDER COAT	PLATED	PLASTIC	METAL	DESIGNER METAL	NON-HANDED	NON-SIZED	ACCESSIBILITY	DELAYED ACTION	A/V/B***	REGULAR (DOUBLE)	STANDARD (SINGLE)	HOLD-OPEN	FUSIBLE LINK	EDA/HEDA	CUSH/H/CUSH	SCUSH/SH/CUSH	
●	○	●	●	○	●	●	○	○	○	●	○	○	○	○	○	○	○	○	○	○	○	○

- Available
- Not available

♿ Closer available with less than 5.0 lbs. opening force on 36" door.

\*\*Maximum opening/hold-open point with standard template. See individual closer series for degrees of opening per installation.

\*\*\* Advanced Variable Backcheck

**LCN**®

**25**

LCN CLOSERS  
 121 W. RAILROAD AVE.  
 P.O. BOX 100  
 PRINCETON, IL, USA 61356-0100

PHONE 800-526-2400  
 FAX 800-248-1460  
 www.lcn.ingersollrand.com  
 3/07

# LCN 4030 SERIES

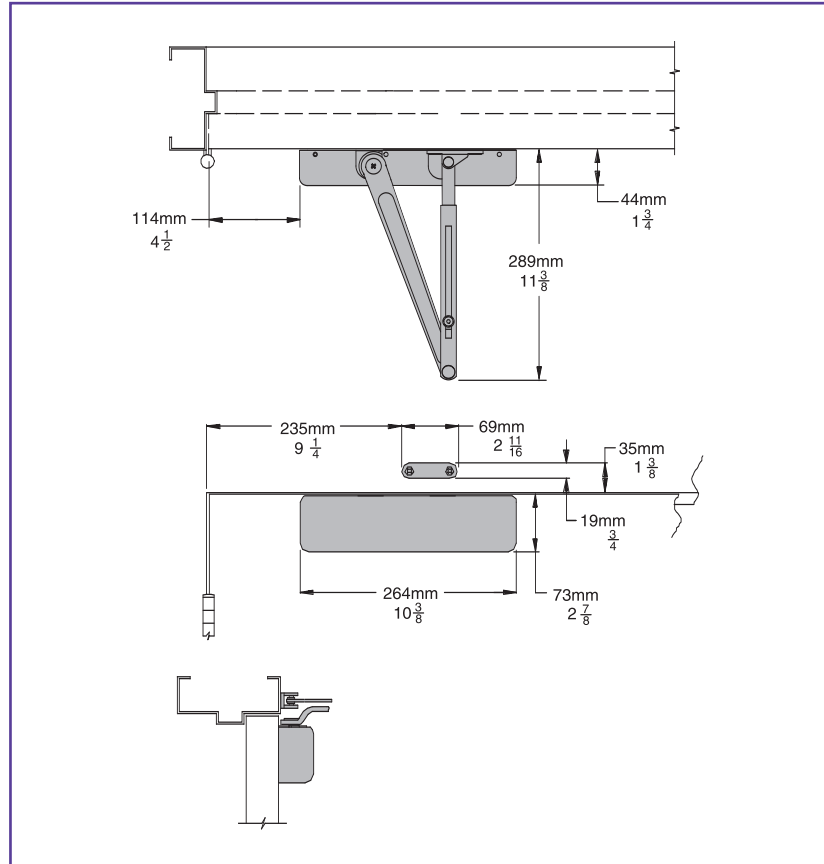
## MOUNTING DETAILS

### HINGE (PULL) SIDE MOUNTING

#### MAXIMUM OPENING

Can be templated for 180°.

Hold-open points up to maximum opening with hold-open arm.



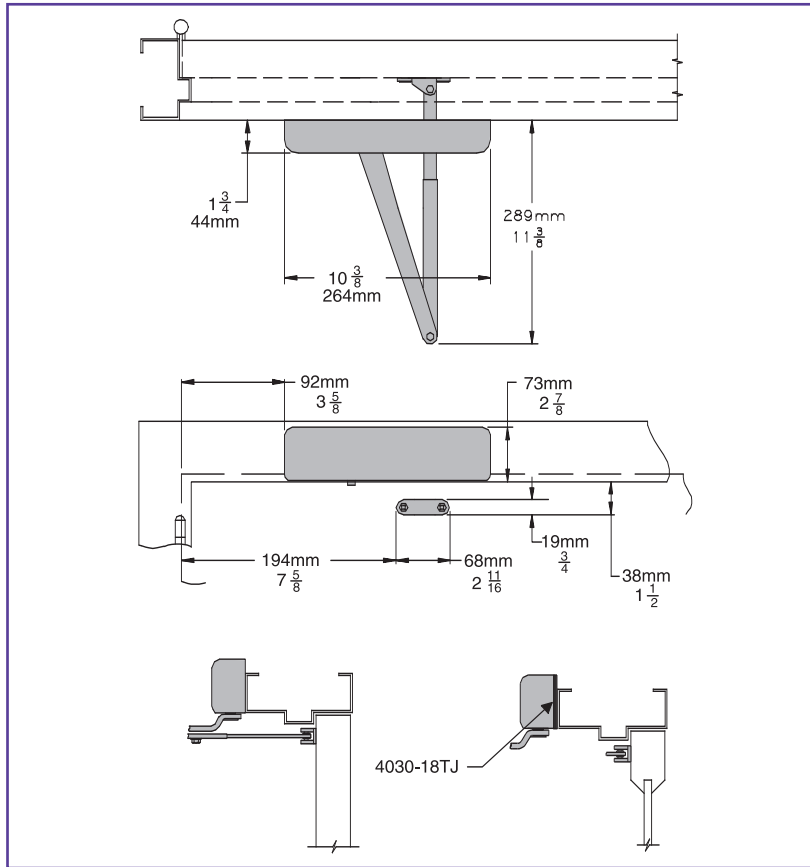
- ▶ **Butt Hinges** should not exceed 5" (127 mm) in width.
- ▶ **Auxiliary Stop** is recommended at hold-open point or where a door cannot swing 180°.
- ▶ **Reveal** should not exceed 3/16" (5 mm) for regular arm or 3/16" (5 mm) for hold-open arm.
- ▶ **Top Rail** requires 2 7/8" (73 mm) minimum.
- ▶ **Clearance** of 1 3/4" (44 mm), behind door required for installation.
- ▶ **Bull Nose Trim** requires SOFFIT SHOE 4030-65.

#### Options

- ▶ Hold-open arm.

#### Special Templates

Customized installation templates or products may be available to solve unusual applications. Contact LCN for assistance.



## TOP JAMB (PUSH SIDE) MOUNTING

### MAXIMUM OPENING

Can be templated for  
180°.

Hold-open points up to maximum  
opening with hold-open arm.

- ▶ **Butt Hinges** should not exceed 5" (127 mm) in width.
- ▶ **Auxiliary Stop** is recommended at hold-open point or where the door cannot swing 180°.
- ▶ **Reveal** up to 3 1/2" (89 mm) allows 180° opening. Reveal up to 7 1/2" (191 mm) with long arm allows for 140° opening.
- ▶ **Top Rail** requires 1 1/2" (38 mm) minimum from stop.
- ▶ **Head Frame** less than 2 1/4" (57 mm) requires PLATE, 4030-18TJ. Plate requires 1 1/2" (38 mm) minimum.

### Options

- ▶ Hold-open arm.
- ▶ Long arm.
- ▶ Long Hold-open arm.

### Special Templates

Customized installation templates or products may be available to solve unusual applications. Contact LCN for assistance.

# LCN 4030 SERIES

## MOUNTING DETAILS

### PARALLEL ARM (PUSH SIDE) MOUNTING

REGULAR or HOLD-OPEN arm mounting requires PA SHOE, 4030-62PA for REGULAR or HOLD-OPEN arms. Add prefix "P" to closer description (eg. P4031). P4031 closer includes 4030-201 FIFTH HOLE SPACER to support PA SHOE.

### MAXIMUM OPENING

REGULAR or HOLD-OPEN arms can be templated for 180°.

EDA template allows 110° maximum opening. Hold-open points up to maximum opening with hold-open arm.

- ▶ **Butt Hinges** should not exceed 5" (127 mm) in width.
- ▶ **Auxiliary Stop** is recommended at hold-open point or where a door cannot swing maximum opening.
- ▶ **Clearance** for 4030-62PA shoe is 4" (102 mm) from door face. EDA arm is 5 1/2" (140 mm) from door face.
- ▶ **Top Rail** less than 5" (127 mm) measured from the stop requires PLATE, 4030-18PA. Plate requires 1 3/4" (44 mm) minimum.
- ▶ **Stop Width** minimum 1" (25 mm).
- ▶ **Head Frame** flush or single rabbeted requires PA SHOE ADAPTER, 4030-418.
- ▶ **BLADE STOP** clearance, requires 1/2" (13 mm) BLADE STOP SPACER, 4030-61.
- ▶ **Auxiliary Shoe** 4030-62A allows installation of regular arm with overhead holder/stop. Special templating required.
- ▶ **EDA ARM** requires SHOE SUPPORT, 4030-30 for fifth screw anchorage where reveal is less than 3 1/16" (78 mm).

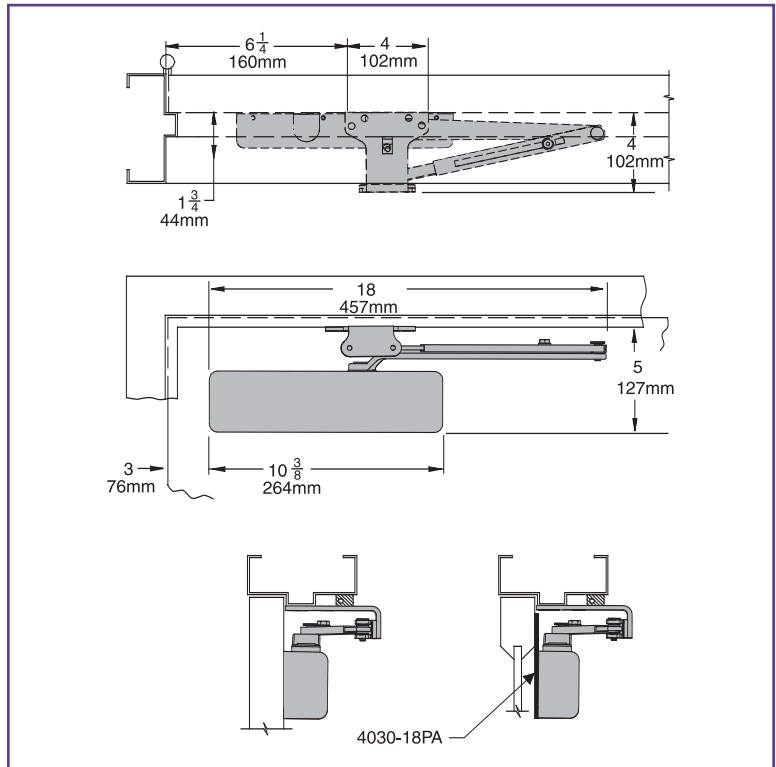
### Options

- ▶ Hold-open, EDA, HEDA, CUSH, HCUSH, SPRING CUSH, or SPRING HCUSH arm.

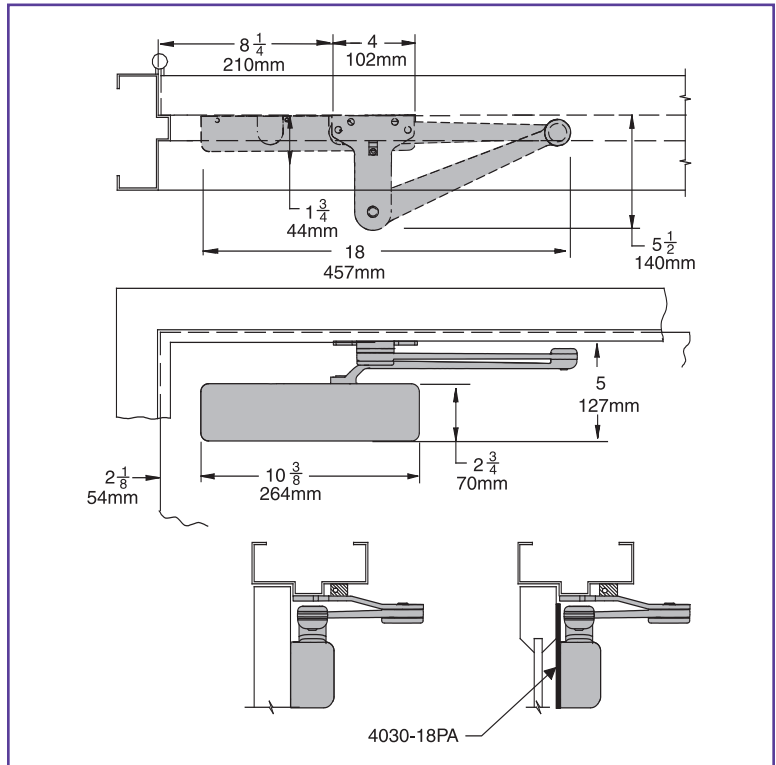
### Special Templates

Customized installation templates or products may be available to solve unusual applications. Contact LCN for assistance.

### 4030 PARALLEL ARM MOUNT

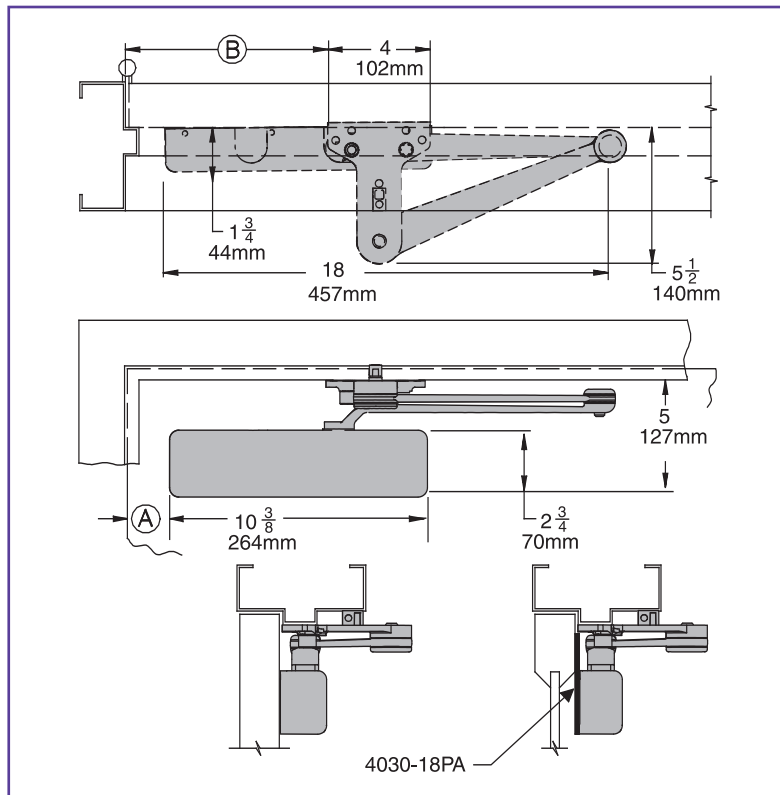


### 4030 EDA MOUNT



**4030 closers ordered with EDA arms include 4030-201 FIFTH HOLE SPACER to support the shoe.**

## 4030 CUSH MOUNT



## CUSH-N-STOP or SPRING CUSH MOUNTING

**4031 closers ordered with CUSH or SPRING CUSH arms include 4030-201 FIFTH HOLE SPACER to support the shoe.**

## MAXIMUM OPENING

CUSH and SPRING CUSH arms can be templated for maximum opening/hold-open point at 85°,

Ⓐ = 3 5/8" (92 mm)

Ⓑ = 9 3/4" (248 mm)

90°,

Ⓐ = 3" (76 mm)

Ⓑ = 9 1/8" (232 mm)

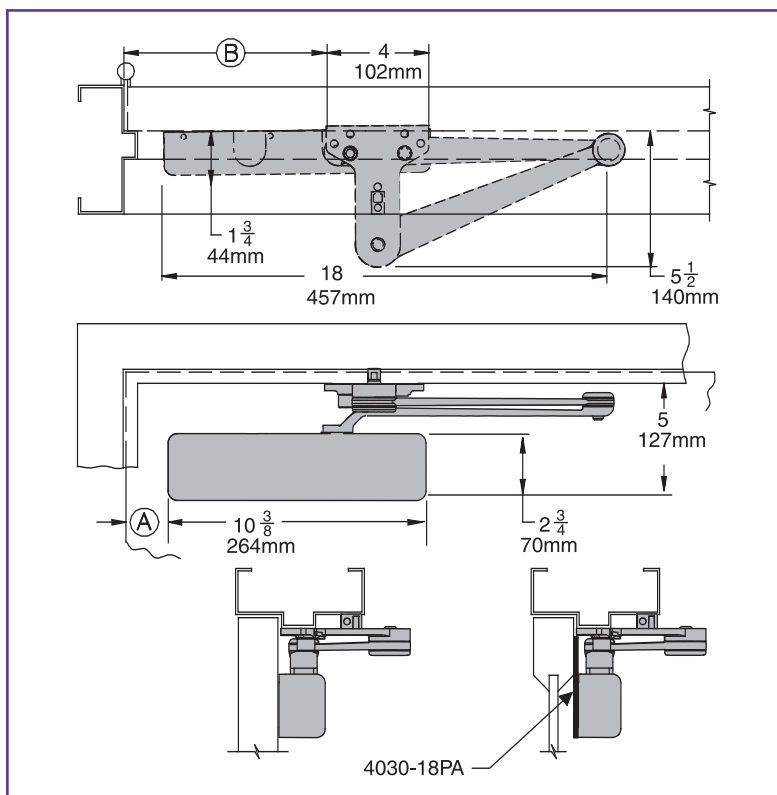
or 100°\*.

Ⓐ = 1 7/8" (48 mm)

Ⓑ = 8" (203 mm)

\*100° mounting will not work with swing clear hinges.

## 4030 SPRING CUSH MOUNT



Spring Cush hold-open points are approximately 5° less than templated stop point.

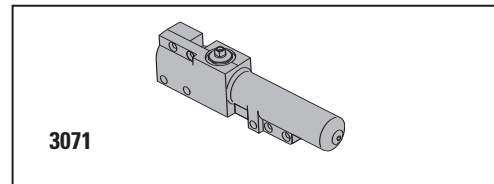
- ▶ **Clearance** for CUSH or SPRING CUSH shoe is 5 1/2" (140 mm) from door face.
- ▶ **Head Frame** flush or rabbeted requires CUSH FLUSH PANEL ADAPTER, 4030-419.
- ▶ **CUSH or SPRING CUSH ARM** requires SHOE SUPPORT, 4030-30 for fifth screw anchorage where reveal is less than 3 1/16" (78 mm).

# LCN 4030 SERIES

## CYLINDERS

### CYLINDER, 4031-3071

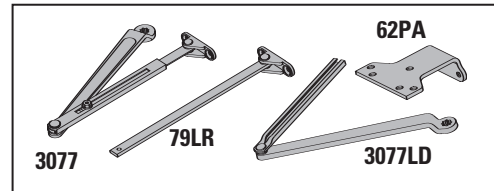
Standard, non-handed cast iron cylinder assembly.



## ARMS

### REGULAR ARM, 4030-3077

Non-handed arm mounts hinge side or top jamb. P4031 closer includes PA SHOE, 4030-62PA is required for parallel arm mounting.



### LIGHT DUTY ARM, 4030-3077LD

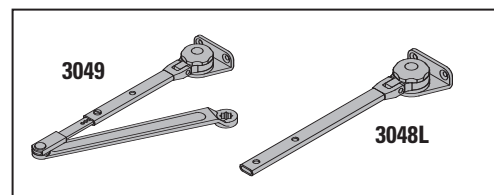
Optional non-handed stamped arm mounts hinge side, top jamb or parallel arm (62PA required).

### PA SHOE, 4030-62PA

Required for parallel arm mounting.

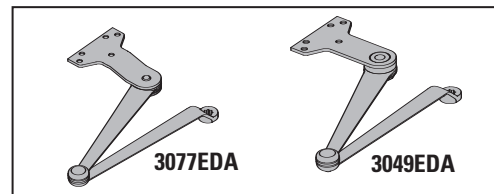
### LONG ARM, 4030-3077L

Optional non-handed arm includes LONG ROD AND SHOE, 4030-79LR for top jamb mount with deep reveals.



### HOLD-OPEN ARM, 4030-3049

Optional, non-handed arm mounts hinge side, top jamb or parallel arm (62PA required). Hold-open adjustable at shoe.

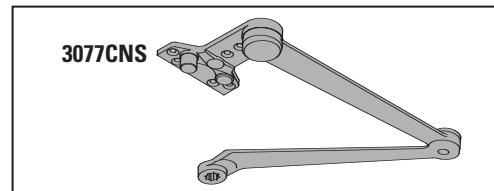


### LONG HOLD-OPEN ARM, 4030-3049L

Optional non-handed arm includes LONG HEAD AND TUBE, 4030-3048L for top jamb mount with deep reveals.

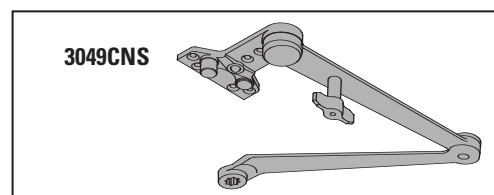
### EXTRA DUTY ARM, 4030-3077EDA

Optional, non-handed parallel arm features solid forged steel main and forearm for potentially abusive installations.



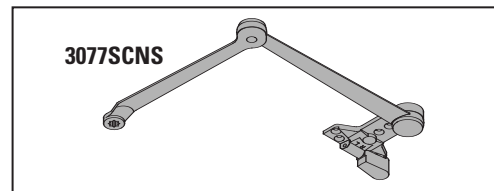
### HOLD-OPEN EDA ARM, 4030-3049EDA

Optional handed arm, provides hold-open function adjustable at shoe.



### CUSH-N-STOP® ARM, 4030-3077CNS

Optional, non-handed parallel arm features solid forged steel main arm and forearm with stop in soffit shoe.

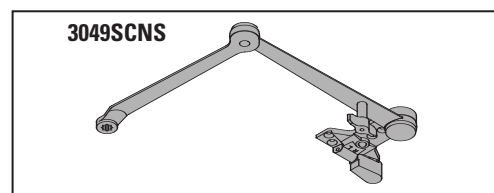


### HOLD-OPEN CUSH ARM, 4030-3049CNS

Optional non-handed arm, provides hold-open function with templated stop/hold-open points. Handle controls hold-open function.

### SPRING CUSH ARM, 4030-3077SCNS

Optional, non-handed parallel arm for abusive applications features solid forged steel main arm and forearm with spring loaded stop in the soffit shoe.



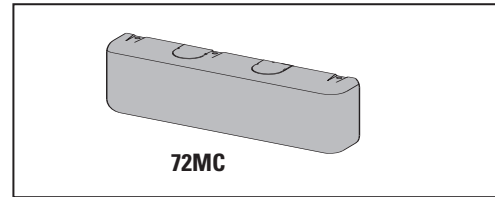
### SPRING HCUSH ARM, 4030-3049SCNS

Optional, non-handed parallel arm for abusive applications features solid forged steel main arm and forearm with spring loaded stop in the soffit shoe. Handle controls hold-open function.

## COVERS

### COVER, 4030-72MC

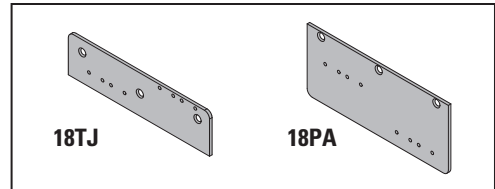
Non-handed metal cover.



## INSTALLATION ACCESSORIES

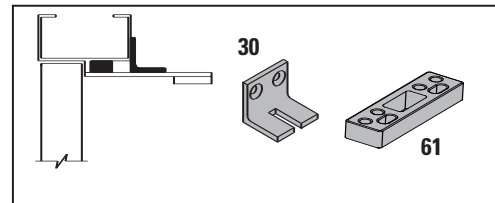
### PLATE, 4030-18TJ

Required for top jamb mounting where head frame is less than 2 1/4" (57 mm) or flush ceiling condition exists. Plate requires 1 1/2" (38 mm) minimum.



### PLATE, 4030-18PA

Required for parallel arm mounting where top rail is less than 5" (127 mm), measured from the stop. Plate requires 1 3/4" (44 mm) minimum.

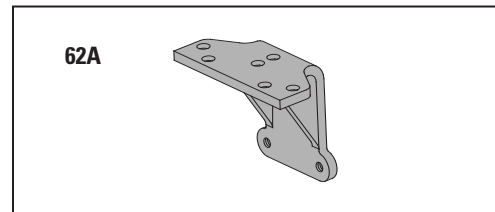


### CUSH SHOE SUPPORT, 4030-30

Provide anchorage for fifth screw used with CUSH arms where reveal is less than 3 1/16" (78 mm).

### BLADE STOP SPACER, 4030-61

Lowers parallel arm shoe to clear 1/2" (13 mm) blade stop.

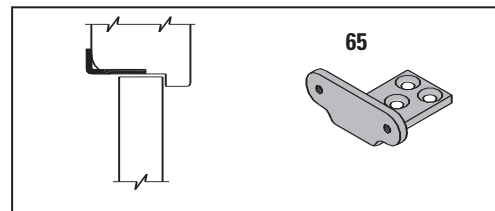


**AUXILIARY SHOE, 4030-62A** requires a top rail of 7" (178 mm).

Optional shoe replaces -62PA for parallel arm mounting of regular arm with some overhead holder/stop. Consult factory.

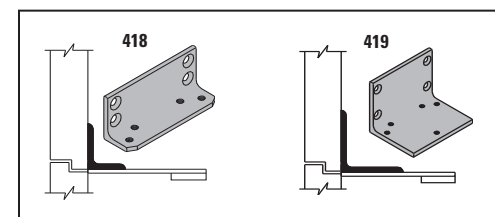
### SOFFIT SHOE, 4030-65

Adapts hinge side shoe to rounded or bull nose trim.



### PA SHOE ADAPTER, 4030-418

Provides horizontal mounting surface for parallel arm shoe on single rabbeted or flush frame.



### CUSH FLUSH PANEL ADAPTER, 4030-419

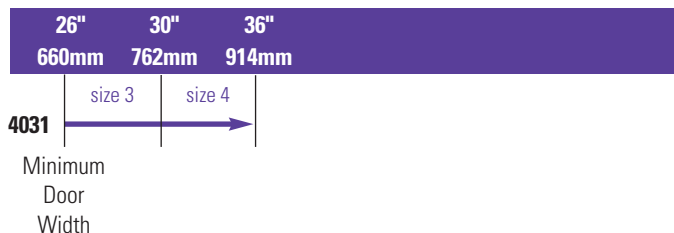
Provides horizontal mounting surface for CUSH shoe on single rabbeted or flush frame.

# LCN 4030 SERIES

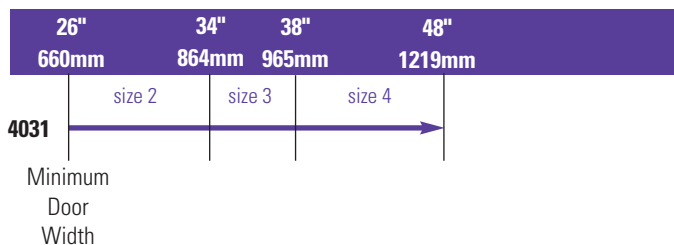
**TABLE OF SIZES** Non-sized 4031 cylinder is adjustable from sizes 1 to 4 and is shipped set to size 3.

→ Indicates recommended range of door width for closer size.

## EXTERIOR (and VESTIBULE) DOOR WIDTH




## INTERIOR DOOR WIDTH



## REDUCED OPENING FORCE 4030 CLOSERS

**CAUTION!** Any manual door closer, including those certified by BHMA to conform to ANSI Standard A156.4, that is selected, installed and adjusted based on ADA or other reduced opening force requirements may not provide sufficient power to reliably close and latch a door.

Refer to POWER OPERATORS section for information on systems that meet reduced opening force requirements without affecting closing power.

	DOOR WIDTH	36"	42"	48"
	8.5* lbs.	4031	4031	4031
	5.0* lbs.	4031	4031	4031

\* Maximum opening force

## HOW-TO-ORDER 4030 SERIES CLOSERS

### 1. SELECT FINISH

- Standard Powder Coat \_\_\_\_\_  
Aluminum, Dark Bronze, Tan, Statuary, Light Bronze, Black, Brass.

### Closer will be shipped with:

- STANDARD CYLINDER,
- STANDARD METAL COVER,
- REGULAR ARM
- Wood and Self-tapping Machine screw pack unless options listed below are indicated.

## CLOSER OPTIONS FINISH

- Custom Powder Coat (RAL) \_\_\_\_\_
- Plated Finish, US \_\_\_\_\_
- SRI primer

## ARM

- Regular w/62PA (Rw/PA)
- Regular w/62A (R/62A)
- Long (LONG)
- Hold-Open (H)
- Hold-Open w/62PA (Hw/PA)
- Long Hold-Open (HLONG)
- Light Duty (LD)
- Light Duty w/62A (LD/62A)
- Light Duty w/62PA (LD/PA)
- Light Duty Long (LDL)
- EDA
- HEDA (specify right or left hand)
- Cush-N-Stop (CUSH)
- HCush-N-Stop (HCUSH)
- Spring Cush (SCUSH)
- Spring HCush (SHCUSH)

## OPTIONAL SCREW PACKS

- TB\*, Wood & Machine Screw (TBWMS)  
\* Specify door thickness if other than 1 3/4".

## INSTALLATION ACCESSORIES

- Plate, 4030-18TJ
- Plate, 4030-18PA
- CUSH Shoe Support, 4030-30
- Blade Stop Spacer, 4030-61
- Auxiliary Shoe, 4030-62A
- Soffit Shoe, 4030-65
- PA Shoe Adapter, 4030-418
- CUSH Flush Panel Adapter, 4030-419

## SPECIAL TEMPLATE

- ST- \_\_\_\_\_