

FEATURES & SPECIFICATIONS

INTENDED USE - For use with housings L7X, L7XR, and LC6.

LED module for use in retrofit / remodel or new construction applications where energy savings, long-life, and functional delivered light levels are required. The Reality LED module provides 80% energy savings over the 65W BR30 and replicates the beam pattern and useful light levels of these fixtures. It will maintain at least 70% light output for 50,000 hours in a typical IC environment. The Reality LED module fits most common 6" cans for retrofit applications and can be ordered with L7X, L7XR, or LC6 for new construction. The Reality LED module is the most economical means to create a well lit environment with exceptional energy efficiency and near zero maintenance.

CONSTRUCTION - Rugged, one-piece, die-cast heat sink design for optimal thermal management.

Wet location rated lens is tightly fitted to the housing to reduce the ingress of dust.

Twin torsion springs ensure easy installation.

Utilizes 3000K color temperature.

OPTICS - Precisely designed elliptical upper reflector and a patented micro prism lens provides a 38 degree full width half max (FWHM) beam angle. Lower splay recesses optical system into the ceiling to prevent glare and provide a traditional look.

ELECTRICAL - Utilizes high-brightness LEDs on a metal core circuit board, ensuring cool-running operation.

On-board circuitry to ensure protection against wiring errors.

High-efficiency driver mounted on the module. Primary power disconnect provided for simple connection to a standard Edison (E26) base socket.

Full range dimming is standard; Optimal dimming performance is achieved when connected to an electronic low-voltage (ELV) dimmer; See page 2 for recommended dimmers.

Lighting module should be installed in applications where ambient temperatures do not exceed 35°C. Ambient temperatures that exceed 35°C will result in reduced lamp life and will void warranty.

Standard input wattage is 12.0W, 50 lumens per watt.

INSTALLATION - Suitable for installation in standard-height rough-in sections. Fits into most popular 6" housings.

LISTINGS - CSA certified for use in the US and Canadian safety standards. Wet location listed.

WARRANTY - Three year limited warranty covering defects in materials and workmanship, including LED and driver.

Catalog Number
Notes
Type

6" LED Module

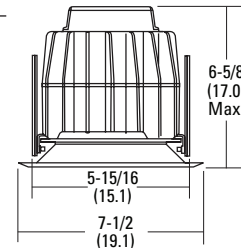


IC/Non-IC
Retrofit



Specifications

- Aperture: 4-3/8 (11.1)
 - Ceiling opening: As rough-in
 - Overlap trim: 7-1/2 (19.1)
 - Height: 6-5/8 (17.0) max.
 - Weight (module only): 2.8 lbs.
 - Weight (module and carton): 3.96 lbs.
- All dimensions are inches (centimeters) unless otherwise noted.



ORDERING INFORMATION For shortest lead times, configure products using **bolded options**.

Example: REAL6 D6MW

Series/Finish	Lumen output ¹	Color temperature	Voltage	Options ²
Series REAL6 D6 6" retrofit module	(blank) 600 lumens	(blank) 3000K 27K 2700K	(blank) 120V	PFMW Matte white plastic flange ring PFBL Black plastic flange ring
Finish MW Matte white A Clear diffuse AZ Clear specular BN Brushed nickel BLZ Black specular BZA Antique bronze ORB Oil-rubbed bronze WT Wheat diffuse				

Accessories: Order as separate catalog number.	
TSA6	Makes non-bracket housings compatible with the LED module
FL2LED	Makes L7XF housings compatible with the LED module
REAL HW Kit	Enables a permanent conversion to an LED source and Title 24 compliant
CTR6	6" goof ring, white



TSA6
Torsion spring adapter



REAL HW Kit
REAL HW Hardware Kit



FL2LED
Fluorescent Adapter Kit

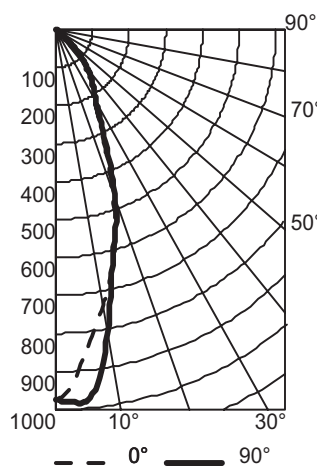
Notes

- 1 Total system delivered lumens.
- 2 See Real6 New Construction/Remodel Spec Sheets for use with dedicated LED Housings.

6 Series REALITY™ 6" LED

PHOTOMETRICS

REAL6 D6MW, 3000K LEDs, 600 delivered lumens, 12.0 input watts, test no. LTL 18880



CP Summary

	0°	90
0°	974	974
5°	868	981
15°	616	608
25°	296	311
35°	178	175
45°	88	84
55°	15	13
65°	5	5
75°	3	3
85°	0	0
90	0	0

Coefficients of Utilization

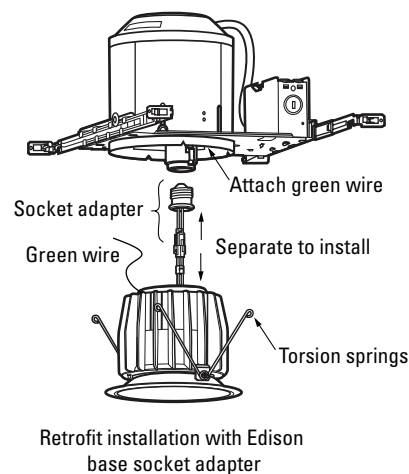
pc	20%								
	80%			70%			50%		
pw	70%	50%	30%	50%	30%	10%	50%	30%	10%
0	119	119	119	116	116	116	111	111	111
1	113	110	108	108	106	104	104	102	101
2	108	103	98	101	97	94	98	94	92
3	102	95	90	94	89	85	91	87	84
4	97	89	83	88	83	79	86	81	78
5	92	83	77	82	77	73	81	76	72
6	87	78	72	77	72	68	76	71	67
7	83	74	67	73	67	63	72	66	63
8	79	69	63	69	63	59	68	63	59
9	75	66	60	65	60	56	64	59	55
10	72	62	57	62	56	53	61	56	52

Zonal Lumen Summary

Zone	Lumens	% Lamp	% Fixture
0° - 30°	400	66.6	66.6
0° - 40°	510	84.9	84.9
0° - 60°	592	98.6	98.6
0° - 90°	600	100.0	100.0
90° - 180°	0	0.0	0.0
0° - 180°	600	100.0	100.0

Efficiency: 100.0%

INSTALLATION, DIMMING AND ENERGY DATA



ENERGY DATA*	
Min. starting temp	-30°C (-22°F)
EMI/RFI	FCC Title 47 CFR, Part 15, Class B
Sound rating	Class A standards
Input voltage	120V
Min. power factor	0.95
Input frequency	50/60 Hz
Max. THD	30%
Rated wattage	12.0W
Input power	12.0W
Input current	125ma

*Values at non-dimming line voltage.

COMPATIBLE DIMMER SWITCHES	
MANUFACTURER	PART NO.
LUTRON	DVELV-300
	DVELV-303
	MAELV-600
	MIRELV-600
	NTELV-300
	NTELV-600
	SELV-300
	VTELV-600M
LEVITON	6615-P
	ATE04-1L
	ATE06-1L
	VPE04-1L
SYNERGY	ISD ELV