

FEATURES & SPECIFICATIONS

INTENDED USE

The OLB LED Bullet Floodlight is a long-lasting energy-efficient landscape flood light. Available with spot or flood optics making it ideal for many commercial and residential outdoor applications such lighting of landscapes, building details and flag poles.

CONSTRUCTION

Die-cast aluminum housing has integral heat sink fins to optimize thermal management through conductive and convective cooling. The LED driver is mounted in the lower housing promoting a low operating temperature and long life. Housing is sealed against moisture and environmental contaminants (IP65).

Finish: Exterior parts are protected by a thermoset powder coat finish that provides superior resistance to corrosion and weathering. A tightly controlled multi-stage process ensures a minimum 3 mils thickness for a finish that can withstand extreme climate changes without cracking or peeling.

OPTICS

Optics are engineered for superior field-to-beam ratios, uniformity and spacing. Available with 5H x 4V flood optics for illuminating larger objects or 2H x 2V spot optics for illuminating targets up to 50 feet away. Light engines are available in 3000K (80 CRI min.) or 5000K (66 CRI min.) configurations.

ELECTRICAL

MVOLT driver operates on any line voltage from 120-277V (50/60 Hz).

Light engine consists of four (4) discrete LEDs directly mounted directly to the heat sink to maximize heat dissipation and promote long life (100,000 hrs at 40°C, L82).

Driver is thermally isolated in base to promote long-life.

Operating temperature -30°C to 40°C.

INSTALLATION

Integral adjustable knuckle with 1/2-14 NPS threaded pipe facilitates quick and easy installation in a variety of mounting methods.

LISTINGS

UL Listed to U.S. and Canadian safety standards for wet locations within four feet of the ground.

Tested in accordance with IESNA LM-79 and LM-80 standards.

WARRANTY

5-year limited warranty. Complete warranty terms located at

www.acuitybrands.com/CustomerResources/Terms_and_conditions.aspx

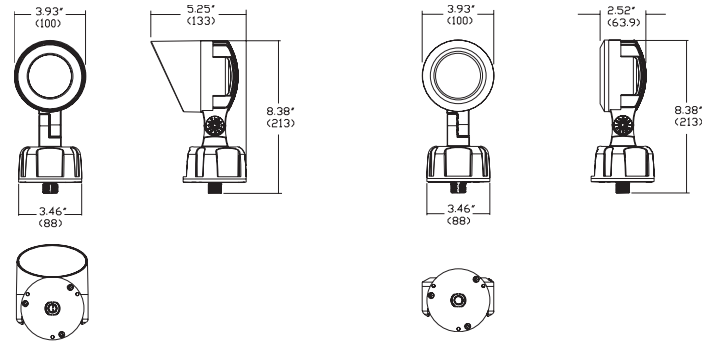
Actual performance may differ as a result of end-user environment and application.

Note: Specifications subject to change without notice.

Catalog Number
Notes
Type

OLB

LED Bullet Flood Light



All dimensions are inches (centimeters) unless otherwise indicated.

ORDERING INFORMATION

For shortest lead times, configure product using **bolded options**.

Example: OLBF 8 30K DDB

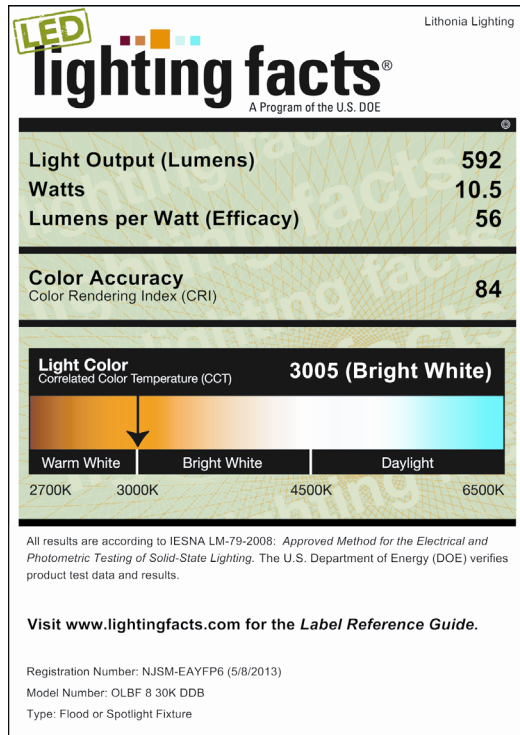
Series	Light engine	Color temperature (CCT)	Voltage	Finish
OLBF 5x4 flood optics	8	30K 3000K	(blank) MVOLT	DDB Dark bronze
OLBS 2x2 spot optics		50K 5000K		

OLB LED Bullet Flood Light

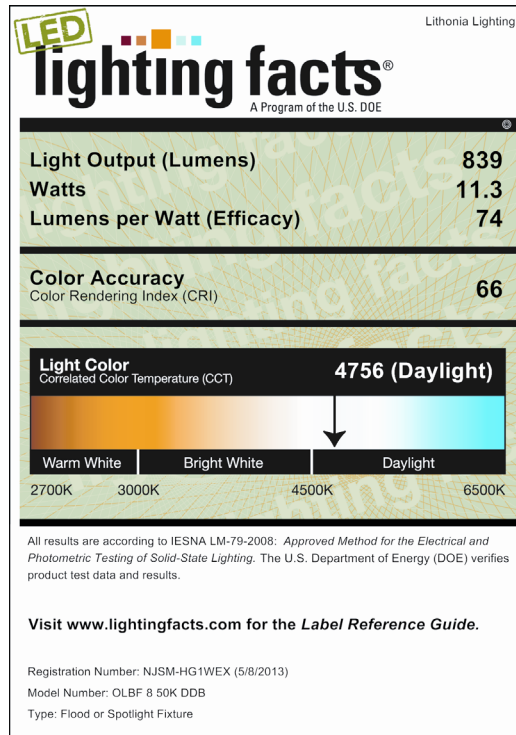
LIGHTING FACTS

To see complete photometric reports or download .ies files for this product, visit www.lithonialighting.com.

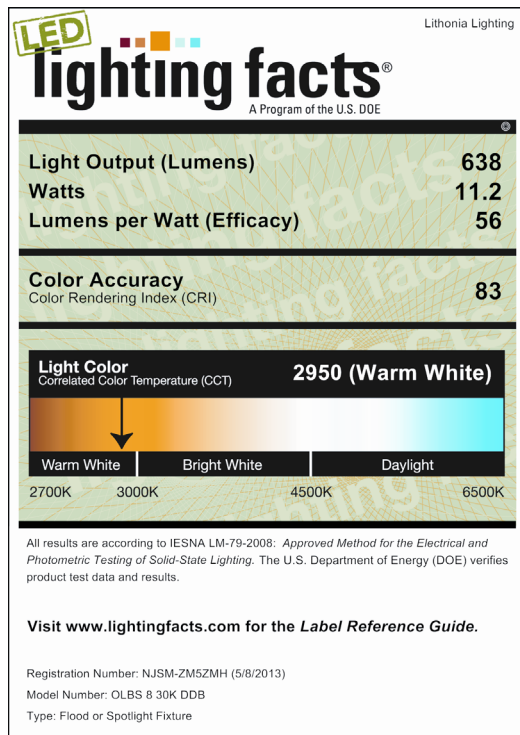
OLBF 8 30K DDB



OLBF 8 50K DDB



OLBS 8 30K DDB



OLBS 8 50K DDB

