

Little GIANT[®]

10E-CIA-SFS SERIES

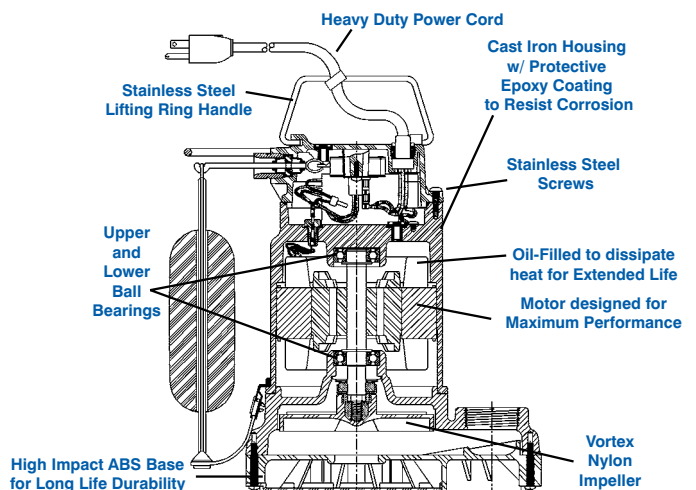


Features

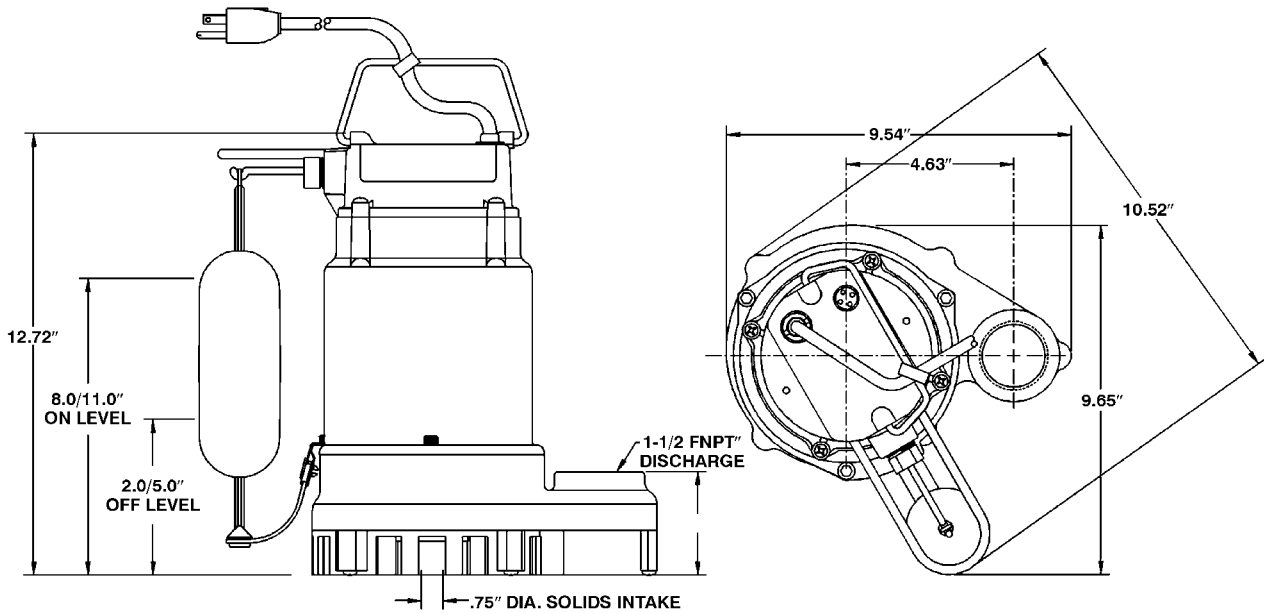
- Handles liquids and solid waste materials up to 3/4" diameter
- Cast iron pump housing with protective epoxy coating for corrosion resistance
- Oil-filled motor housing for lifetime lubrication and rapid heat dissipation
- Stainless steel handle, fasteners and switch guard
- Mechanical seals (stainless steel spring, nitrile parts, carbon and ceramic faces)
- Thermal overload protection
- Automatic operation has 8" to 11" "On" level range and 2" to 5" "Off" level range
- PSC type motor with upper and lower ball bearings
- UL/CSA listed



The Model 10E-CIA-SFS Dewatering and Effluent Pump is designed for residential and light to medium commercial use. The 10E-CIA-SFS features a 1-1/2" discharge with a maximum lift of 24'.

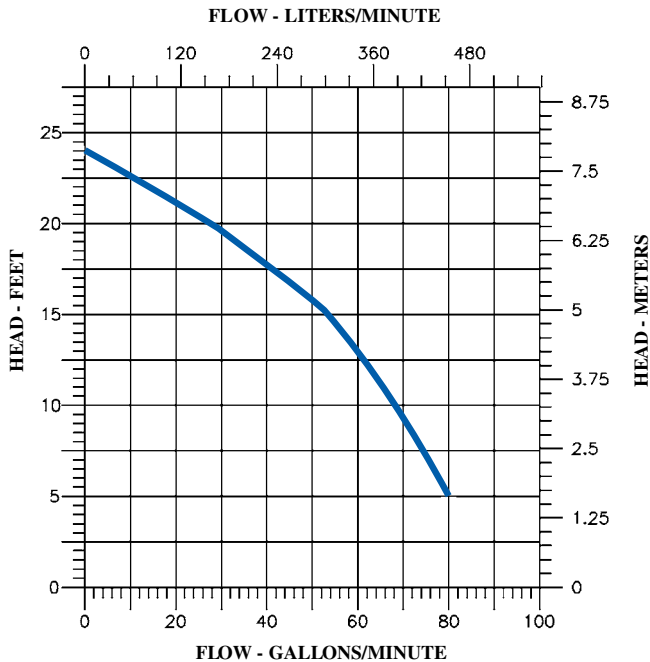


10E-CIA-SFS SERIES



Specifications

Model No.	Item No.	Listings	HP	Volts	Solids Size (Dia. in.)	Running Amps/Watts	Performance (GPM @ Head)			Shut Off Feet	PSI	Pwr. Cord (ft.)	Weight (lbs.)	Dimensions (H x L x W in.)
							5'	10'	15'					
10E-CIA-SFS	511350	UL/CSA	1/2	115	3/4	8.2/958	80	68	53	24	10.4	10	38	12.72 x 10.52 x 9.65
10E-CIA-SFS	511355	UL/CSA	1/2	115	3/4	8.2/958	80	68	53	24	10.4	25	39	12.72 x 10.52 x 9.65



10E SERIES PERFORMANCE

Construction

Cover	Polycarbonate
Motor Housing	Epoxy coated cast iron
Impeller Material	Nylon
Impeller Type	Vortex
Volute	Epoxy coated cast iron
Power Cord	SJTW-A
Mechanical Shaft Seal	Nitrile with carbon and ceramic faces
Fasteners	Stainless steel
Shaft	Steel
Bearings	Upper & lower ball bearings