



Codes/Standards Applicable

- ANSI Z124.1.2
- CSA B45 Series

Whirlpool Bathtubs:

- UL1795
- ASME A112.19.7
- CSA C22.2 No. 218.2
- CSA B45.10

KEY BENEFITS

The Release™ Series is uniquely designed to comfort every part of your body, ease your mind and soothe your soul.

Lavish in total relaxation and peaceful comfort

STANDARD FEATURE(S)

Two comfortable sitting positions

Elegant integrated handles

Ergonomically shaped

Cushioned alcove that perfectly supports the head

COMMON OPTIONS

[AromaScents™](#)

Flexible main hose 15 ft for electronic control

Metal trim kit for electronic control

[Ozonator True Whirlpool system](#)

Pillow Release 3-D

ThermaZone

Trim kit for True Whirlpool and combined systems

Two chromatherapy lights

Waste and overflow 27" flexible neck

Water heater for True Whirlpool system

MASSAGE SYSTEM(S)

[Aerofeel®](#)

Back massage

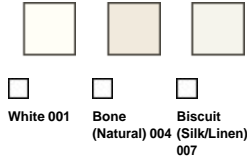
Combined True Whirlpool® and Aerofeel®

[True Whirlpool Rest™](#)

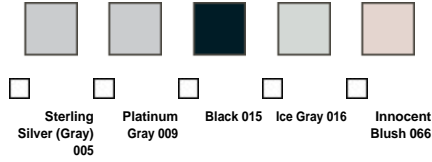
[True Whirlpool®](#)

Colors

Standard Acrylic Colors



Non-Standard Acrylic Colors



Colors shown are for reference purposes only and are subject to change without notice. Exact matches are not possible with your monitor display or printing method used.

Model Specifications, Options and Accessories

No	Model	Dimensions in. (mm)	Approx. Weight lb (kg)	PKG ft3 (m3)
✓ 105314-000	Bathtub Specify: Standard colors: White (001), Bone (004), Biscuit (007) Non-standard colors: Sterling Silver (005), Platinum Gray (009), Almond (013), Black (015), Ice Gray (016), Fawn Beige (054), Innocent Blush (066), Sandbar (143)	72 X 42 X 23 1/2	135	67
Water Capacity: Minimum: 65 gal. Maximum: 93 gal.				

BATHTUB MODEL WITH MASSAGE SYSTEM SEE BASE MODEL FOR COLORS

No	Description	Dimensions in. (mm)	Approx. Weight lb (kg)	PKG ft3 (m3)
✓ 105314-100	True Whirlpool® (whirlpool system)	72 X 42 X 23 1/2	185	67
105314-055	Aerofeel® (air system)		160	
105314-104	Combined True Whirlpool® and Aerofeel®		210	
105314-20103	Back massage (6 back jets and 3 foot jets)	N/A	N/A	N/A
105314-20141	Rest™ for True Whirlpool and combined systems			

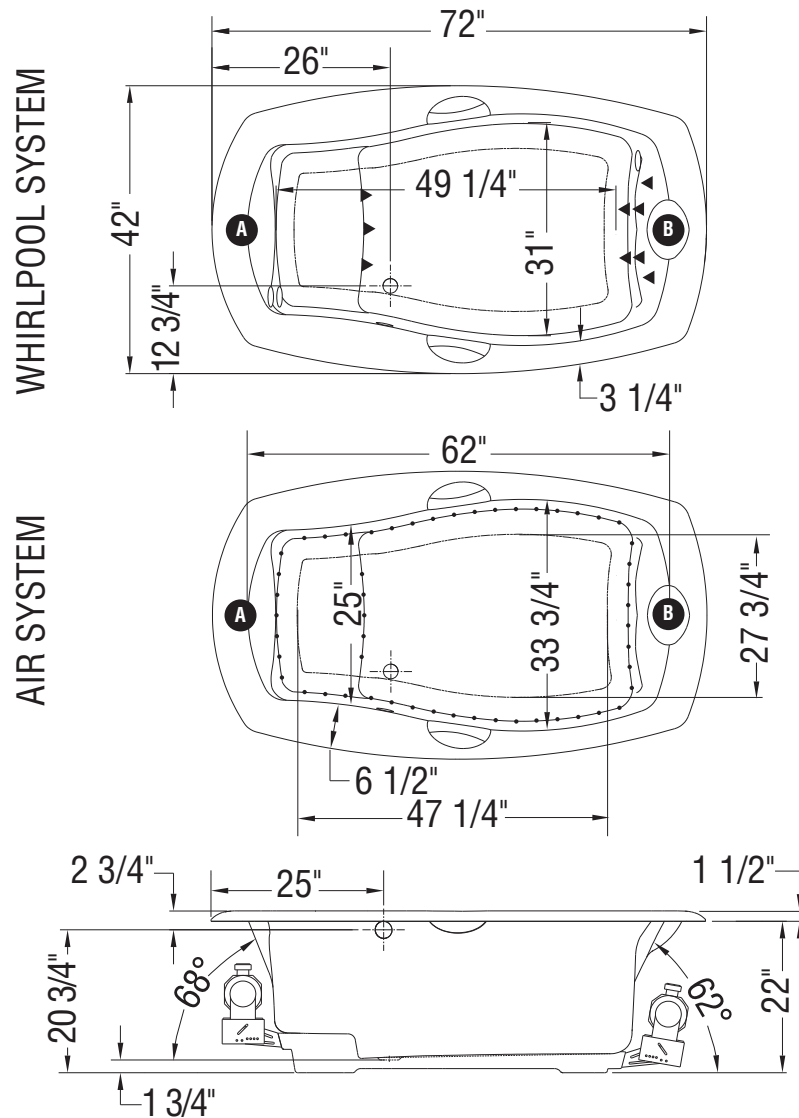
(Continued on next page)

COMMON OPTIONS

✓	No	Description	Dimensions in. (mm)	Approx. Weight lb (kg)	PKG ft3 (m3)
☐	OPT 10003	Water heater assembly for True Whirlpool and combined systems (factory installed)	N/A	N/A	N/A
☐	OPT 10013-XXX	Trim kit for True Whirlpool and combined systems (factory installed) Available colors: Chrome (084), Polished Brass (085) and Brushed Nickel (105)			
☐	OPT 10054	Two chromatherapy lights (factory installed)			
☐	OPT 10055	ThermaZone (factory installed)			
☐	OPT 10119-XXX	Metal trim kit for Aerofeel electronic control (factory installed) Available colors: Chrome (084), Polished Brass (085) and Brushed Nickel (105)			
☐	OPT 20101-XXX	AromaScents™ (factory installed) Available aromatherapy diffuser cap colors: Chrome (084), Polished Brass (085) and Brushed Nickel (105)			
☐	OPT 20139	Ozonator whirlpool system (factory installed)			

Accessories

✓	No	Description	Dimensions in. (mm)	Approx. Weight lb (kg)	PKG ft3 (m3)
☐	10019708	Flexible main hose for electronic control air massage - kit (sold separately) 15-ft. extension	N/A	N/A	N/A
☐	10020932-XXX	Pillow Release 3-D, with magnet encaps (fits on Release 6636, 7236, 7242 and 6060) Available colors: White (001) and Black (015)			
☐	10025081-XXX	Waste and overflow 27" flexible neck (sold separately) Available colors: White (001), Bone (004), Biscuit (007), Chrome (084), Polished Brass (085) and Brushed Nickel (105)			



Note: A or B pump location could exceed by one in. on combo.

Note: For deck-mount faucet installation, install faucets on same side as the overflow.

A : Specify blower and/or pump location when ordering

B : Specify blower and/or pump location when ordering

(○) : Indicates whirlpool jets positioning

(•) : Indicates airjets positioning

(▲) : Indicates backjets and foot jets positioning

All dimensions are approximate. Structure measurements must be verified against the unit to ensure proper fit.

Canada	Alberta British Columbia Manitoba New Brunswick Newfoundland Nova Scotia Northwest Territories Ontario Prince Edward Island Quebec Saskatchewan Yukon Territory
United States	Alabama Alaska Arizona Arkansas California Colorado Connecticut Delaware District of Columbia Florida Georgia Hawaii Idaho Illinois Indiana Iowa Kansas Kentucky Louisiana Maine Maryland Massachusetts Michigan Minnesota Mississippi Missouri Montana Nebraska Nevada New Hampshire New Jersey New Mexico New York North Carolina North Dakota Ohio Oklahoma Oregon Pennsylvania Rhode Island South Carolina South Dakota Tennessee Texas Utah Vermont Virginia Washington West Virginia Wisconsin Wyoming
International	Jamaica Switzerland Korea China Taiwan Pilipinas Vietnam Malaysia Singapore Egypt Kuwait Dubai Qatar Saudi Arabia Bermuda Turks & Caicos Dominican Republic Panama Costa Rica Guatemala Colombia

Here are the electrical specifications for all MAA Collection bathtub therapeutic systems offered in the United States.

PLEASE NOTE THAT SOME SYSTEMS MAY NOT BE AVAILABLE ON THE PRODUCT YOU HAVE SELECTED.

Please refer to the *Common Options* and *Massage System(s)* sections for more details.

HYDROFEEL	
Pump: Requires a dedicated circuit protected by a Class A GFCI. This circuit can be shared with these two options: Chromatherapy and Ambiance Set (Urban® Water Cascade)	
Heater: Requires a dedicated circuit protected by a Class A GFCI.	
Pump	1.5HP / 120V / 12.5A / 60Hz
REST™ Pump Option	1HP / 120V / 9.4A / 60Hz
Heater	1500W / 120V / 12.5A / 60Hz

HYDROMAX	
Pump: Requires a dedicated circuit protected by a Class A GFCI. This circuit can be shared with Chromatherapy (option).	
Pump 2 (for large bathtubs): Requires a dedicated circuit protected by a Class A GFCI.	
Heater: Requires a dedicated circuit protected by a Class A GFCI.	
Pump	1.5HP / 120V / 12.5A / 60Hz
REST™ Pump Option	1HP / 120V / 9.4A / 60Hz
Heater	1500W / 120V / 12.5A / 60Hz

AEROFEEL	
Blower: Requires a dedicated circuit protected by a Class A GFCI. This circuit can be shared with these two options: Chromatherapy and Ambiance Set (Urban® Water Cascade).	
Blower	1.4HP / 120V / 9.5A / 60Hz

COMBINED HYDROFEEL / AEROFEEL	
Blower: Requires a dedicated circuit protected by a Class A GFCI.	
Pump: Requires a dedicated circuit protected by a Class A GFCI. This circuit can be shared with these two options: Chromatherapy and Ambiance Set (Urban® Water Cascade).	
Heater: Requires a dedicated circuit protected by a Class A GFCI.	
Blower	1.4HP / 120V / 9.5A / 60Hz
Pump	1.5HP / 120V / 12.5A / 60Hz
REST™ Pump Option	1HP / 120V / 9.4A / 60Hz
Heater	1500W / 120V / 12.5A / 60Hz

COMBINED HYDROMAX / AEROFEEL	
Blower: Requires a dedicated circuit protected by a Class A GFCI.	
Pump: Requires a dedicated circuit protected by a Class A GFCI. This circuit can be shared with Chromatherapy (option).	
Pump 2 (for large bathtubs): Requires a dedicated circuit protected by a Class A GFCI.	
Heater: Requires a dedicated circuit protected by a Class A GFCI.	
Blower	1.4HP / 120V / 9.5A / 60Hz
Pump	1.5HP / 120V / 12.5A / 60Hz
REST™ Pump Option	1HP / 120V / 9.4A / 60Hz
Heater	1500W / 120V / 12.5A / 60Hz

CHROMATHERAPY	
Requires a dedicated circuit protected by a Class A GFCI.	

AMBIANCE SET (URBAN® WATER CASCADE)	
Requires a dedicated circuit protected by a Class A GFCI. This circuit can be shared with Chromatherapy (option).	

PEARL SERIES

TRUE WHIRLPOOL PEARL SERIES	
Pump: Requires a dedicated circuit protected by a Class A GFCI. This circuit can be shared with Chromatherapy (option) and one of the following options: AromaScents, ThermaZone	
Pump 2 (for large bathtubs): Requires a dedicated circuit protected by a Class A GFCI. This circuit can be shared with Chromatherapy (option).	
Heater: Requires a dedicated circuit protected by a Class A GFCI. This circuit can be shared with ThermaZone (option).	
Pump	1.5HP / 120V / 12.5A / 60Hz
Rest Pump Option	1HP / 120V / 9.4A / 60Hz
Heater	1500W / 120V / 12.5A / 60Hz

AEROFEEL PEARL SERIES	
Blower: Requires a dedicated circuit protected by a Class A GFCI. This circuit can be shared with Chromatherapy (option) and one of the following options: AromaScents, ThermaZone.	
Blower	1.4HP / 120V / 9.5A / 60Hz

COMBINED TRUE WHIRLPOOL / AEROFEEL (Electronic Control) PEARL SERIES	
Blower: Requires a dedicated circuit protected by a Class A GFCI.	
Pump: Requires a dedicated circuit protected by a Class A GFCI. This circuit can be shared with Chromatherapy (option) and one of the following options: AromaScents, ThermaZone.	
Heater: Requires a dedicated circuit protected by a Class A GFCI. This circuit can be shared with ThermaZone (option).	
Blower	1.4HP / 120V / 9.5A / 60Hz
Pump	1.5HP / 120V / 12.5A / 60Hz
Rest Pump Option	1HP / 120V / 9.4A / 60Hz
Heater	1500W / 120V / 12.5A / 60Hz

THERMAZONE PEARL SERIES	
Requires a dedicated circuit protected by a Class A GFCI. This circuit can be shared with these two options: Chromatherapy and AromaScents.	
84W / 120V / 0.7A / 60 Hz	

CHROMATHERAPY PEARL SERIES	
Requires a dedicated circuit protected by a Class A GFCI.	

AROMASCENTS PEARL SERIES	
Requires a dedicated circuit protected by a Class A GFCI. This circuit can be shared with Chromatherapy (option).	
1.5W / 120V / 0.0125A / 60 Hz	

Installation Note

Install this product according to the *Installation Guide*.
All electrical wiring must be done per national/local electrical codes.