

MAAX SUBMITTAL SPECIFICATIONS

Vivez l'expérience

MAAX®

Enjoy the experience

Miles

MODEL NUMBER 105756

DIMENSIONS: 66" x 36" x 24" Acrylic



STANDARD FEATURES

- Classic cool rectangular 2-piece, virtually seamless look
- Two deck widths for different styles of faucet
- 4 adjustable leveling legs for ease of installation
- Center drain
- Above-the-Floor Rough (AFR)
- Apron available in white and five bold colors


OPTIONS

- Fjord bathtub faucet with hand shower
- Water pipe inlets (Fjord)
- Fjord 8-in. widespread lavatory
- White foam cushion
- Two chromotherapy lights
- Flexible main hose 15 ft for electronic control

UNIQUE FEATURES

- 1 Tub - 2 Pieces
- 4 Adjustable Leveling Legs

SYSTEMS

-  Chromotherapy

DOOR SELECTION

Combine with MAAX's complete shower door offering visit www.maax.com

CERTIFICATIONS

Maax products adhere to one or more of the following certifications:



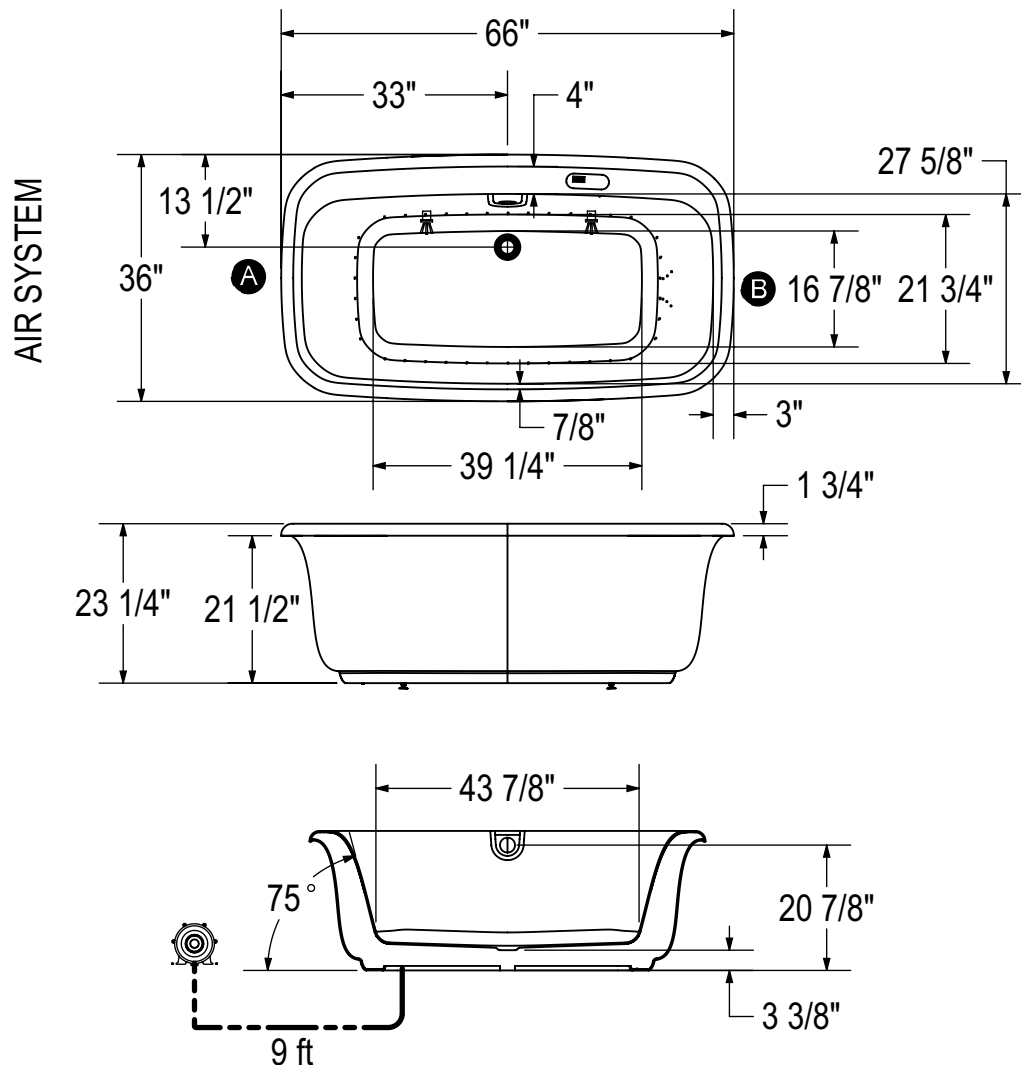
Project :
Contractor :
MAAX Representative : Tel :
Date :

MAAX SUBMITTAL SPECIFICATIONS

Miles

MODEL NUMBER 105756

TECHNICAL DRAWINGS



Ⓐ : Specify remote blower location when ordering

Ⓑ : Indicates chromatherapy light positioning

(●) : Indicates Aerofeel airjets positioning

All dimensions are approximate. Structure measurements must be verified against the unit to ensure proper fit.