



# Blower Installation Instructions Model: BLOTKSTSC For Signature Command Systems

## Before You Start

The BLOTKSTSC Blower Kit is designed to be installed with the Signature Command System with the SCSACM A/C control module and is controlled only with the RFSC remote control.

**NOTE:** This instruction sheet is ONLY for models listed below. Carefully inspect the contents for shipping damage. If any parts are missing or damaged, immediately inform the dealer from whom you purchased the part.

**Models:** KSTDV/DVKST

**NOTE:** This kit contains only one blower, however, two (2) blowers may be installed if desired as shown in Figure 2. An additional BLOTKSTSC blower kit must be purchased.

## Kit Contents:

1, Blower	1, Louvered Access Panel, Right
1, Wire Harness	1, Louvered Access Panel, Left
4, #8 Sheet Metal Screws	

## Tools Required:

Short handle Phillips screwdriver

**WARNING**

Before installing the blower, turn off the fireplace and allow to cool. Only a qualified service person should service and repair the fireplace. A qualified service person should connect and disconnect the fireplace to gas supply. Follow all local codes.

**CAUTION**

Electrical connections should only be performed by a qualified licensed electrician. Main power supply must be turned off before connecting fans to the main electrical power supply or performing service.

**WARNING**

### Electrical Grounding Instructions:

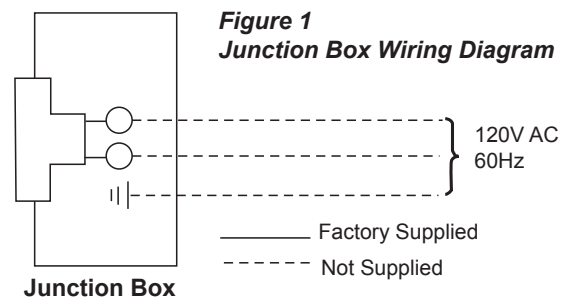
This appliance is equipped with a three-prong (grounding) plug for your protection against shock hazard and should be plugged directly into a properly grounded three prong receptacle.

**IMPORTANT:** Always check local building codes. This installation must comply with local regulations as well as the National Electric Code.

## Installation Instructions

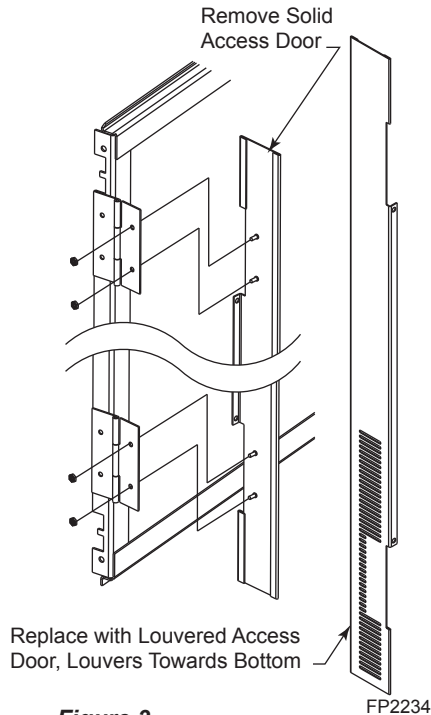
### Wiring

1. Before installing the blower, wire the receptacle into an electrical circuit. This should be done before framing the fireplace. Wire with minimum 60° C wire in accordance with prevailing codes.
2. Remove the external junction box cover by removing the screw from the left side of the outside firebox wall. Junction box was installed at the factory.
3. The junction box cover has a factory installed "romex" style strain relief connector. After connecting the wires, route the wire leads through this connector. Refer to the wiring diagram in Figure 5.

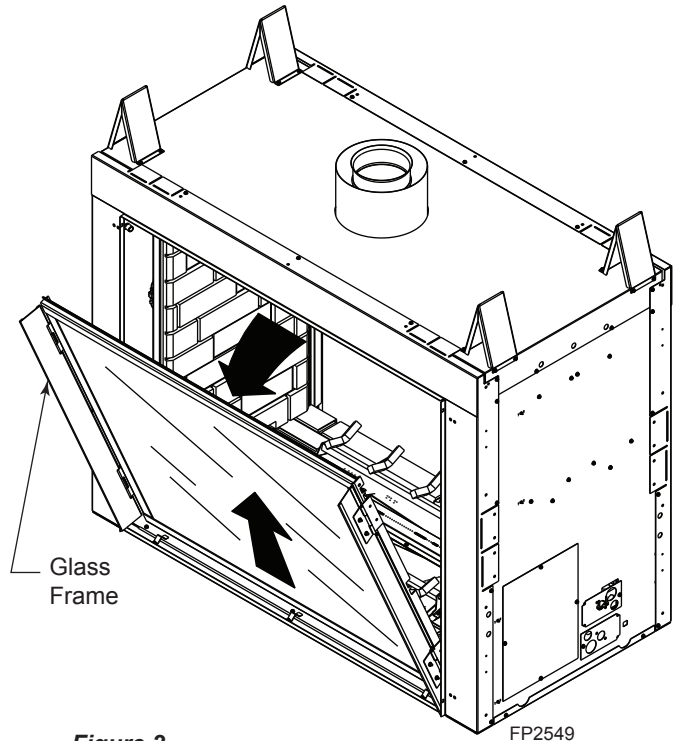


## Installing the Blower

1. Remove the plate located in front of the glass at the bottom.
2. Remove rod provided for screen assembly located beneath the cover plate.
3. Rotate the access doors on the right and left side of the glass toward the glass.
4. Remove glass frame by releasing the three latches located at the top of the firebox. Tilt glass away from the unit, lift glass frame up and away from the unit. *Figure 2*
5. Replace side panels attached to the glass frame assembly with the louvered side panels provided with the blower kit by unfastening the four nuts for each cover door. (Do not overtighten or stud may break off.) Use three metal clip screws provided with kit to secure the wire assembly in the front beneath the access cover. *Figure 3*



**Figure 3 -  
Install New Louvers**

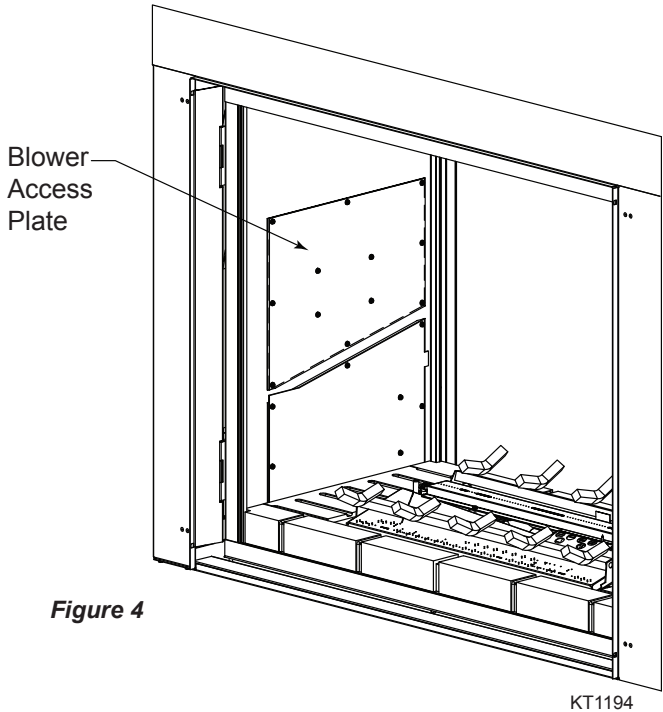


**Figure 2 -  
Remove Glass Frame**

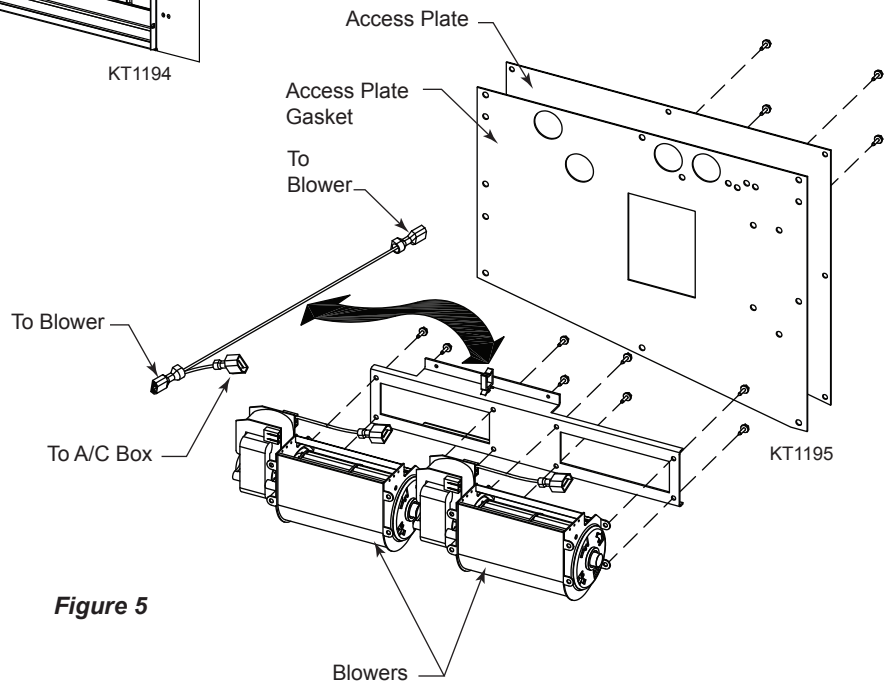
6. Remove the four (4) screws securing the light box on control side of unit.
7. Remove brick wall panel from firebox wall.
8. Remove blower access panel from firebox wall. *Figure 4*
9. Disassemble blower mounting bracket from blower access panel. *Figure 5*. Mount blower to mounting bracket with the supplied #8 sheet metal screws. The blower may be mounted on either side of unit according to where the owner would like the discharge to be.
10. **Wiring for one (1) blower:** Attach the two (2) female connectors from A/C Module marked 'Blower' to the two (2) male connectors on blower. *Figure 6*. Wire clip on blower mounting bracket can be used to route wires away from blower blades. **NOTE:** Discard wire harness for one blower installation.  
**Wiring for two (2) blowers:** There is one (1) wire harness supplied with each blower kit. Attach the two (2) female connectors from one wiring harness to one (1) male connector on each blower. Repeat with the second wiring harness. Attach the two (2) male connectors from the wiring harness to the female connectors from the A/C Module marked 'Blower'. *Figure 7*
11. Reassemble blower access panel with blower(s) installed into firebox.
12. Replace brick wall panel.
13. Replace glass frame.

### NOTE

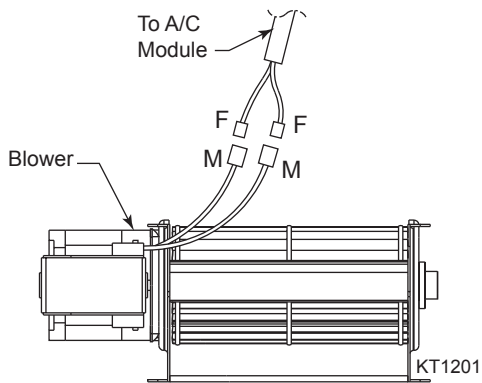
Keep wires away from combustion chamber and blower wheel.



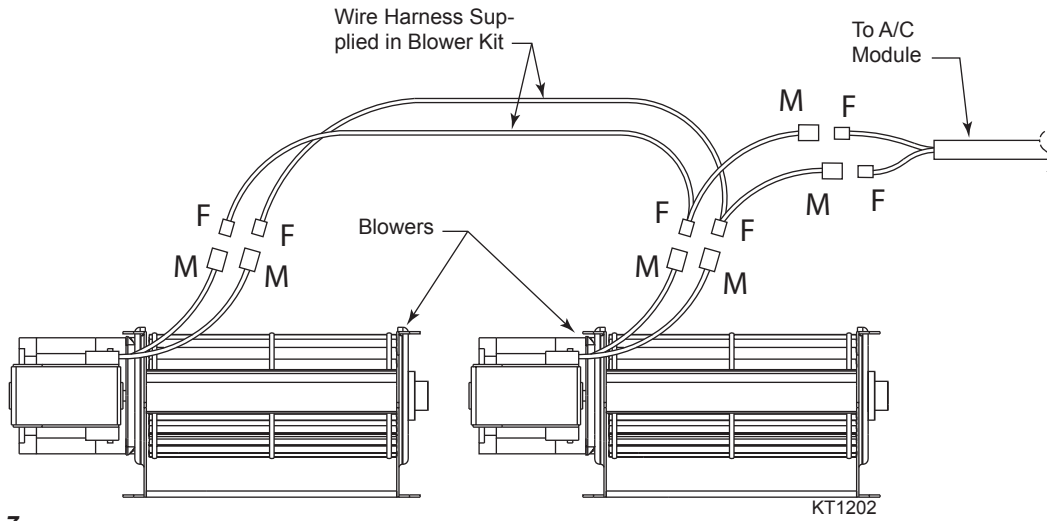
**Figure 4**



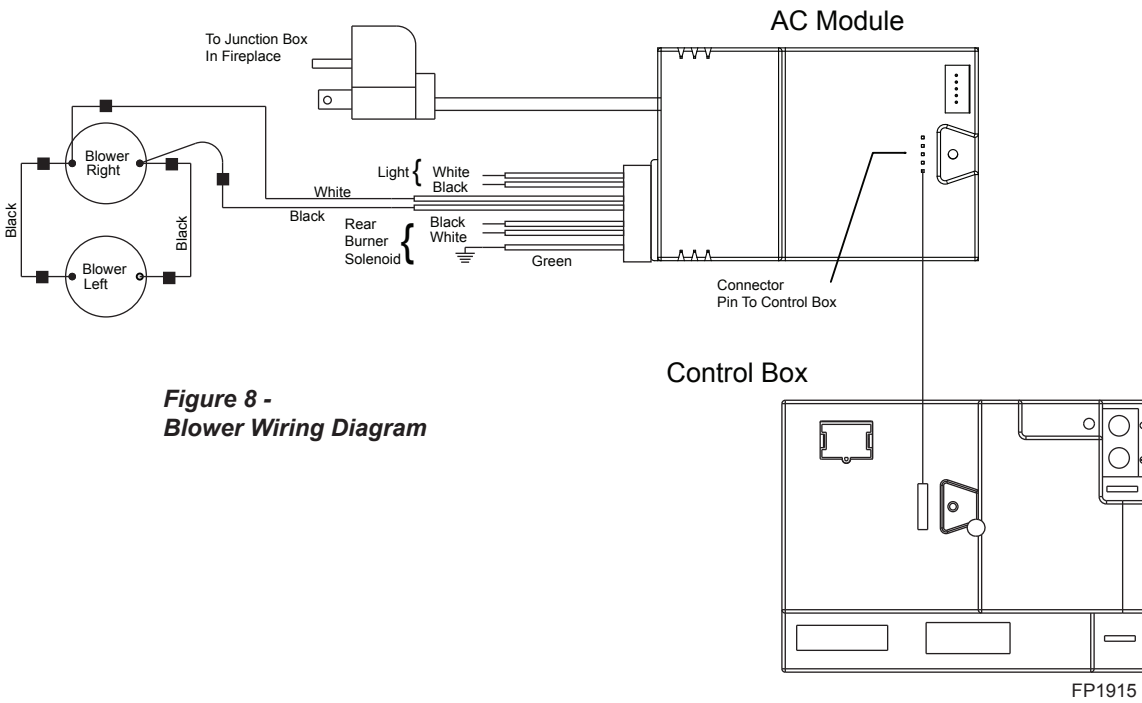
**Figure 5**



**Figure 6 -  
Wiring for One Blower**



**Figure 7 -  
Wiring for Two Blowers**



**Figure 8 -  
Blower Wiring Diagram**

**MHSC**

149 Cleveland Drive • Paris, Kentucky 40361  
www.mhsc.com