



Direct Vent Gas Stove Installation and Operating Instructions

Models:

CSDV20SNV, CSDV20DNV, CSDV20SLP, CSDV20DLP,
CSDV30SNV, CSDV30DNV, CSDV30SLP, CSDV30DLP,
CSDV40SNV, CSDV40NDV, CSDV40SLP, CSDV40DLP

WARNINGS

IF THE INFORMATION IN THESE INSTRUCTIONS ARE NOT FOLLOWED EXACTLY, A FIRE OR EXPLOSION MAY RESULT CAUSING PROPERTY DAMAGE, PERSONAL INJURY OR LOSS OF LIFE.

- Do not store or use gasoline or other flammable vapors and liquids in the vicinity of this or any other appliance.
- **WHAT TO DO IF YOU SMELL GAS**
 - Do not try to light any appliance.
 - Do not touch any electrical switch; do not use any phone in your building.
 - Immediately call your gas supplier from a neighbor's phone. Follow the gas supplier's instructions.
 - If you cannot reach your gas supplier, call the fire department.
- Installation and service must be performed by a qualified installer, service agency or the gas supplier.

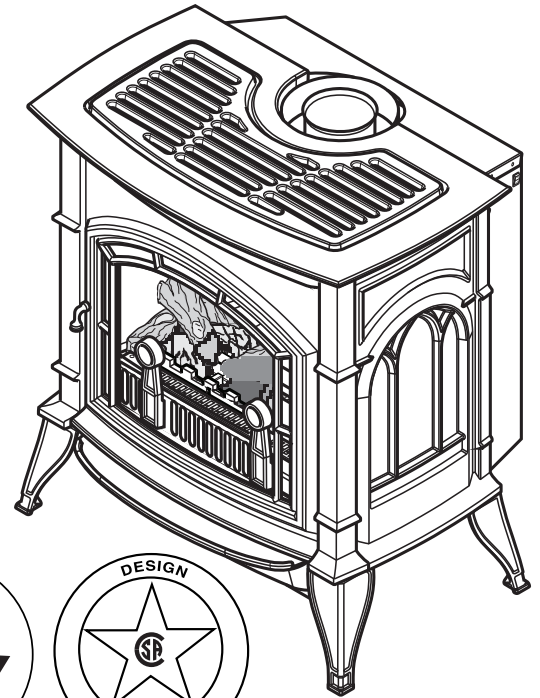
WARNING: Improper installation, adjustment, alteration, services or maintenance can cause injury or property damage. Refer to this manual. For assistance or additional information consult a qualified installer, service agency or the gas supplier.

This appliance is only for use with the type of gas indicated on the rating plate. This appliance is not convertible for use with other gases, unless a certified kit is used.

This appliance may be installed in an aftermarket*, permanently located, manufactured home, where not prohibited by local codes.

*Aftermarket: Completion of sale, not for purpose of resale, from the manufacturer.

INSTALLER: Leave this manual with the appliance.
CONSUMER: Retain this manual for future reference.



DUE TO HIGH TEMPERATURES, THE APPLIANCE SHOULD BE LOCATED OUT OF TRAFFIC AND AWAY FROM FURNITURE AND DRAPERIES.

CHILDREN AND ADULTS SHOULD BE ALERTED TO THE HAZARDS OF HIGH SURFACE TEMPERATURE AND SHOULD STAY AWAY TO AVOID BURNS OR CLOTHING IGNITION.

YOUNG CHILDREN SHOULD BE SUPERVISED WHEN THEY ARE IN THE SAME ROOM AS THE APPLIANCE.

CLOTHING OR OTHER FLAMMABLE MATERIAL SHOULD NOT BE PLACED ON OR NEAR THE APPLIANCE.

KEEP THE ROOM AREA CLEAR AND FREE FROM COMBUSTIBLE MATERIALS, GASOLINE, AND OTHER FLAMMABLE VAPORS AND LIQUIDS.

Congratulations!

You have purchased a state-of-the-art gas appliance featuring the Lex-Fire Burn System available exclusively on MHSC gas appliances.

The Lex-Fire Burn System sets a new standard for flame appearance through innovative log design, burner technology and ember placement. Each element affecting combustion and flame appearance was carefully scrutinized and strategically balanced during the design process.

Important Safety Information 3 Code Approval 4 Product Features 5 High Elevations 5 Gas Pressures 5 Gas Specifications & Orifice Sizes 5 Stove Dimensions 6 Stove Location 7 Clearances 8 Remove Unit from Crate 10 Venting Installation 11 Installation Precautions 11 Installation Planning 12 General Venting Information - Termination 13 Venting Graph 14 Installation for Horizontal Termination 15 Installation for Vertical Termination 18 Stove Installation 22 Check Gas Type 22 Install Gas Piping to Stove Location 23 Checking Gas Pressure 24 Electrical Installation 24 Electrical Wiring 24 Remote Wall Switch 25 Log and Rock Wool Placement 26	Operating Instructions 29 What To Do If You Smell Gas 29 Lighting Pilot for the First Time 30 Lighting Pilot 30 Lighting Burner 31 To Turn Off Gas 31 Air Shutter Adjustment (Natural Gas ONLY) 32 Cleaning and Maintenance 33 Venting System 33 Cleaning Glass 33 Pilot and Burner Flames 33 Firebox Cleaning 33 Glass Replacement 34 Troubleshooting 35 Replacement Parts 36 CSDV20 36 CSDV30 38 CSDV40 40 Massachusetts Residents Only 42 Warranty 43
--	---

INSTALLER

Please leave these instructions with the appliance.

OWNER

Please retain these instructions for future reference.

WARNING

- **Read this owner’s manual carefully and completely before trying to assemble, operate, or service this fireplace.**
- **Any change to this fireplace or its controls can be dangerous.**
- **Improper installation or use of this fireplace can cause serious injury or death from fire, burns, explosions, electrical shock and carbon monoxide poisoning.**

This stove is a vented product. This stove must be properly installed by a qualified service person. The glass door must be properly seated and sealed. If this unit is not properly installed by a qualified service person with glass door properly seated and sealed, combustion leakage can occur.

CARBON MONOXIDE POISONING: Early signs of carbon monoxide poisoning are similar to the flu with headaches, dizziness and/or nausea. If you have these signs, the stove may not have been installed properly. Get fresh air at once! Have the stove inspected and serviced by a qualified service person. Some people are more affected by carbon monoxide than others. These include pregnant women, people with heart or lung disease or anemia, those under the influence of alcohol, and those at high altitudes.

Propane/LP gas and natural gas are both odorless. An odor-making agent is added to each of these gases. The odor helps you detect a gas leak. However, the odor added to these gases can fade. Gas may be present even though no odor exists.

Make certain you read and understand all warnings. Keep this manual for reference. It is your guide to safe and proper operation of this stove.

1. This appliance is only for use with the type of gas indicated on the rating plate. This appliance is not convertible for use with other gases unless a certified kit is used.
2. For propane/LP stove, do not place propane/LP supply tank(s) inside any structure. Locate propane/LP supply tank(s) outdoors. To prevent performance problems, do not use propane/LP fuel tank of less than 100 gal. capacity.
3. If you smell gas
 - shut off gas supply.
 - do not try to light any appliance.
 - do not touch any electrical switch; do not use any phone in your building .
 - immediately call your gas supplier from a neighbor’s phone. Follow the gas supplier’s instructions.

4. Never install the stove
 - in a recreational vehicle
 - where curtains, furniture, clothing, or other flammable objects are less than 42" from the front, top, or sides of the stove
 - in high traffic areas
 - in windy or drafty areas
5. This stove reaches high temperatures. Keep children and adults away from hot surfaces to avoid burns or clothing ignition. Stove will remain hot for a time after shutdown. Allow surfaces to cool before touching.
6. Carefully supervise young children when they are in the room with stove.
7. Do not modify the burner or stove under any circumstances. Any parts removed for servicing must be replaced prior to operating stove.
8. Turn stove off and let cool before servicing, installing, or repairing. Only a qualified service person should install, service, or repair the stove. Have burner system inspected annually by a qualified service person.
9. You must keep control compartments, burners, and circulating air passages clean. More frequent cleaning may be needed due to excessive lint and dust from carpeting, bedding material, pet hair, etc. Turn off the gas valve and pilot light before cleaning stove.
10. Have venting system inspected annually by a qualified service person. If needed, have venting system cleaned or repaired. Refer to *Cleaning and Maintenance, Page 34*.
11. Keep the area around your stove clear of combustible materials, gasoline, and other flammable vapor and liquids. Do not run burner system where these are used or stored. Do not place items such as clothing or decorations on or around stove.
12. Do not use this stove to cook food or burn paper or other objects.
13. Never place anything on top of stove.
14. Do not use any solid fuels (wood, coal, paper, cardboard, etc.) in this stove. Use only the gas type indicated on burner system nameplate.

15. This appliance, when installed, must be electrically grounded in accordance with local codes or in the absence of local codes, with the *National Electrical Code, ANS/NFPA 70*, or the *Canadian Electrical Code, CSA C22.1*.
16. Do not obstruct the flow of combustion and ventilation air in any way. Provide adequate clearances around air openings into the combustion chamber along with adequate accessibility clearance for servicing and proper operation.
17. When the appliance is installed directly on carpeting, tile or other combustible material other than wood flooring, you must set appliance on a metal or wood panel or hearth pad extending the full width and depth of the appliance.
18. Do not use stove if any part has been exposed to or under water. Immediately call a qualified service person to arrange for replacement of the unit.
19. Do not operate stove if any log is broken.
20. Do not use a blower insert, heat exchanger insert, or other accessory not approved for use with this stove.
21. Do not operate the stove with glass door removed, cracked, or broken.
22. Massachusetts only refer to Page 46 for further information.



CODE APPROVAL

Direct Vent type appliances draw all combustion air from outside of the dwelling through the vent pipe.

These appliances have been tested by CSA and found to comply with the established standards for DIRECT VENT GAS FIREPLACE HEATERS in the USA and Canada as follows:

LISTED VENTED GAS FIREPLACE HEATER

TESTED TO: ANSI Z21.88-2009 / CSA 2.33-2009 STANDARDS

PRODUCT SPECIFICATIONS

- This appliance has been certified for use with either natural or propane gas. See appropriate data plates.
- This appliance is not for use with solid fuels.
- The appliance is approved for bedroom or bedsitting room installations.
- The appliance must be installed in accordance with local codes if any. If none exist use the current installation code. ANSI Z223.1/NFPA 54 in the USA, CSA B149 in Canada.
- This appliance is mobile home approved.
- The appliance must be properly connected to a venting system.
- The appliance is not approved for closet or recessed installations.
- For alcove installation see “Clearances,” Page 9.

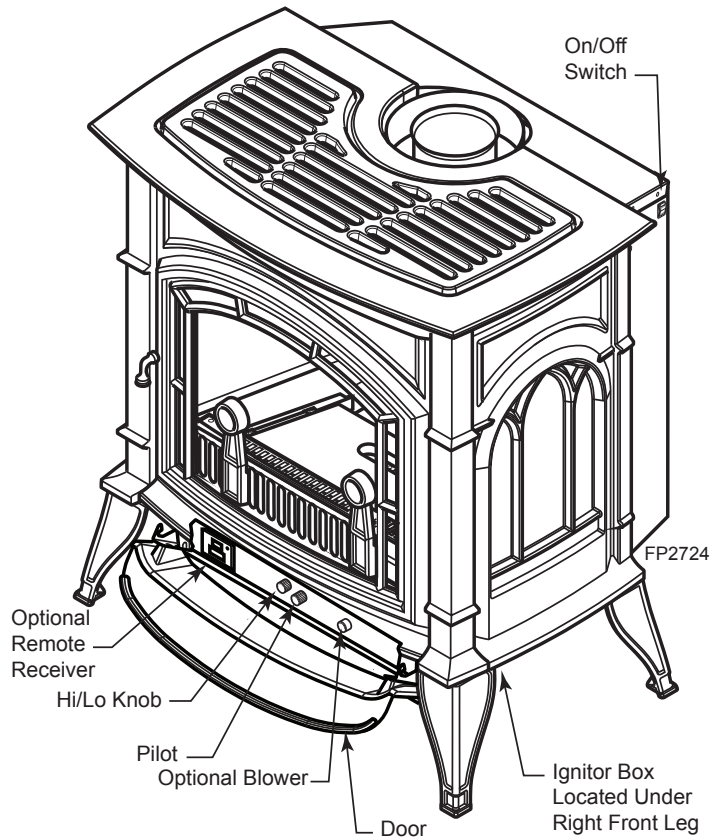


Figure 1 - CSDV Cast Iron Stove Controls

HIGH ELEVATIONS
 Input ratings are shown in BTU per hour and are certified without deration for elevations up to 4,500 feet (1,370 m) above sea level.
 For elevations above 4,500 feet (1,370 m) in USA, installations must be in accordance with the current ANSI Z223.1/NFPA 54 and/or local codes having jurisdiction.
 In Canada, please consult provincial and/or local authorities having jurisdiction for installations at elevations above 4,500 feet (1,370 m).

GAS PRESSURES

	Natural	Propane (LP)
Inlet Minimum	4.5" w.c.	11.0" w.c.
Inlet Maximum	10.5" w.c.	13.0" w.c.
Manifold Pressure	3.5" w.c.	10.0" w.c.

GAS SPECIFICATIONS & ORIFICE SIZE

Model	Fuel	Max. Input BTU/h	Min. Input BTU/h	Orifice Size	
				Front	Rear
CSDV20NV	Nat.	18,000	12,500	#43	
CSDV20PV	LP	19,000	15,000	#54	
CSDV30NV	Nat.	28,000	17,000	#35	
CSDV30PV	LP	28,000	21,000	#51	
CSDV40NV	Nat.	33,000	26,000	#46	#43
CSDV40PV	LP	33,000	30,000	#57	1.45 mm

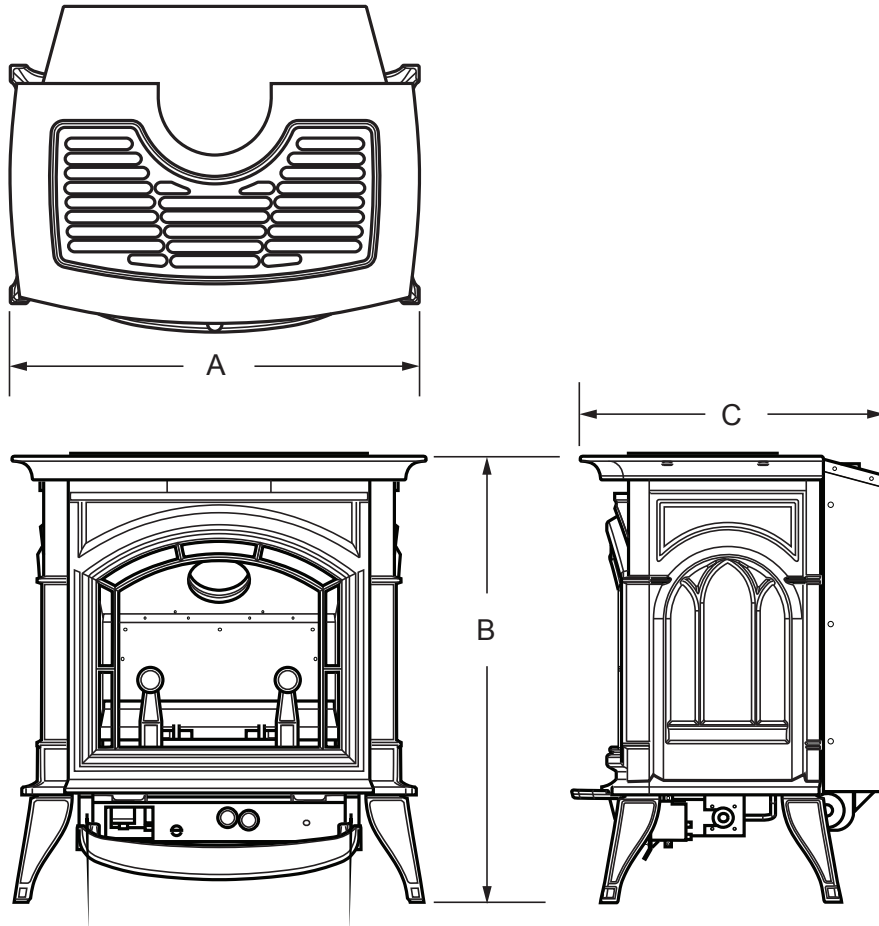


Figure 2 - Stove Dimensions

Ref.	CSDV20	CSDV30	CSDV40
A	20 ⁷ / ₈ " (530 mm)	26 ¹ / ₂ " (673 mm)	29 ¹ / ₂ " (749 mm)
B	23 ¹ / ₂ " (597 mm)	28 ¹ / ₂ " (724 mm)	30 ¹ / ₂ " (775 mm)
C	18 ³ / ₄ " (476 mm)	21" (533 mm)	22" (559 mm)

STOVE LOCATION

Plan for the installation of your stove. This includes determining where the unit is to be installed, the vent configuration to be used, framing and finishing details, and whether any optional accessories (i.e. blower, wall switch, or remote control) are desired. Consult your local building code agency to ensure compliance with local codes, including permits and inspections.

The following factors should be taken into consideration:

- This stove should have sufficient access for its safe operation and maintenance.
- Locate a position where the flue system of the stove can be properly installed without damaging the integrity of the building. e.g. cutting wall or ceiling joist (example: load-bearing framing members).
- When the appliance is installed directly on carpeting, tile or other combustible material other than wood flooring, you must set appliance on a metal or wood panel extending the full width and depth of the appliance.
- Check stove and flue system clearance requirements.
- Locate the stove where it can be accessed by a gas supply line.
- Locate the stove in a large and open room that is centrally located in the house. This will optimize heat circulation and comfort.
- The flow of combustion and ventilation air must not be obstructed.

- Minimum clearances to combustibles, side-wall, ceiling, woodwork, and windows **must be maintained**. *Page 9, Figure 4*
- This stove may be installed along a wall, across a corner, or use an exterior chase. *Refer to Figure 3 for suggested locations.*
- Location should be out of high traffic areas and away from furniture and draperies due to heat from appliance.
- Never obstruct the front opening of the stove.
- Do **not** install in the vicinity where gasoline or other flammable liquids may be stored.
- Vent pipe routing. See *Venting* section found in this manual for allowable venting configurations.
- These units can be installed in a bedroom. See National Fuel Gas Code ANSI Z233.1/NFPA 54 (current edition), the Uniform Mechanical Code (current edition), and Local Building Codes for specific installation requirements.

NOTE: If this unit is installed in a mobile home it must be bolted securely to the floor with leg bolts.

NOTE: Stoves work without any electrical supply.

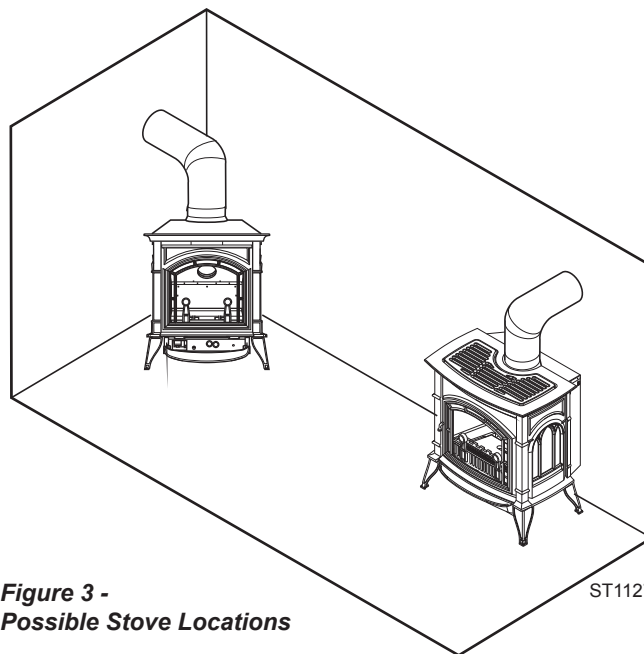


Figure 3 - Possible Stove Locations

ST1127

CLEARANCES TO COMBUSTIBLES

WARNING

The dimensions shown in *Figures 4 and 5* are minimum clearances to maintain in installing this heater. Left and right clearances are determined when facing the front of the heater.

Follow these instructions carefully to ensure safe installation. Failure to follow instructions exactly can create a fire hazard.

The appliance cannot be installed on a carpet, tile or other combustible material other than wood flooring. If installed on carpet or vinyl flooring, the appliance shall be installed on a metal, wood or noncombustible material panel extending full width and depth of the appliance.

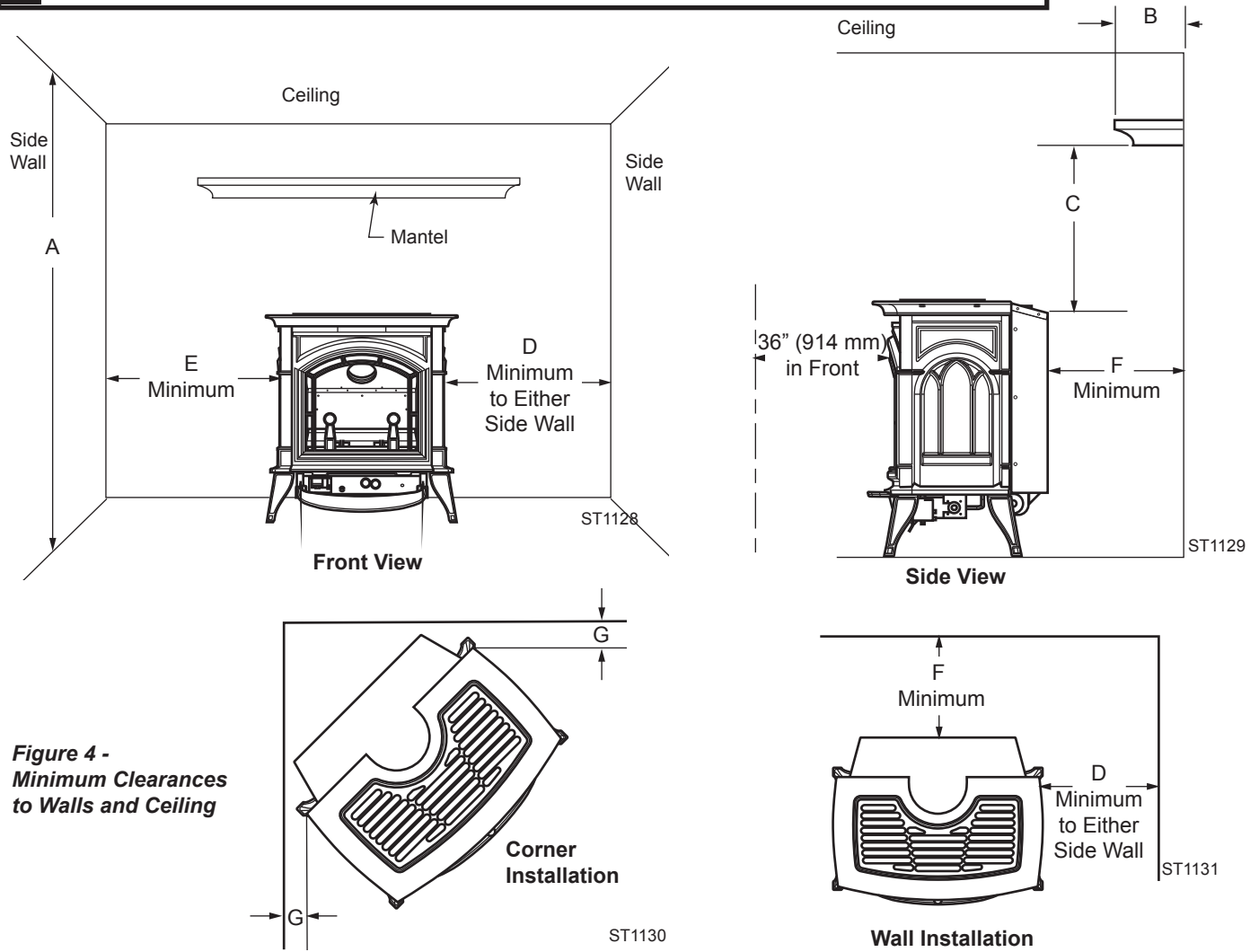
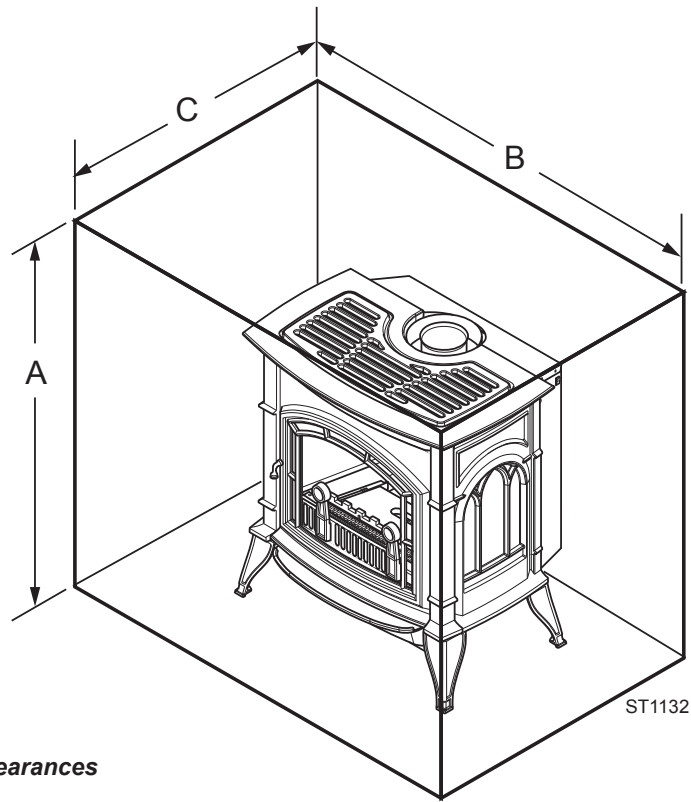


Figure 4 - Minimum Clearances to Walls and Ceiling

Product	Min. Ceiling from Floor A	Mantel Clearance from Top of Unit		Side Measured from Top		Rear Measured From Back F	Corner Measured From Top Corners G
		Max Protrusion B	Height C	Right D	Left E		
CSDV20	72" (1829 mm)	12" (305 mm)	22" (559 mm)	4" (102 mm)	4" (102 mm)	1" (25 mm)	1/2" (13 mm)
CSDV30	72" (1829 mm)	12" (305 mm)	34" (864 mm)	4" (102 mm)	4" (102 mm)	1" (25 mm)	1/2" (13 mm)
CSDV40	72" (1829 mm)	12" (305 mm)	34" (864 mm)	4" (102 mm)	4" (102 mm)	1" (25 mm)	1/2" (13 mm)



**Figure 5 -
Alcove Clearances**

Alcove Minimum Dimensions

Model	Height from Hearth A	Width B	Depth C
CSDV20	52" (1321 mm)	30" (762 mm)	36" (914 mm)
CSDV30	64" (1626 mm)	35" (889 mm)	36" (914 mm)
CSDV40	64" (1626 mm)	35" (889 mm)	36" (914 mm)

NOTE: Maintain minimum side and back clearances when placing stove in alcove.

1. Remove two (2) straps. *Figure 6*
2. Open plastic bag and slide to bottom of unit. *Figure 7*
3. Lift up on ash lip and pivot down to open control door. *Figure 8*
4. Lift up on front. Pivot bottom of front out. Remove front. *Figure 8*
5. Open and remove glass door.
6. Remove log box from inside of unit.
7. Lift unit off pallet. Lift unit up high enough to clear upright supports unit is sitting on.

NOTE: You will need at least two (2) strong people to lift unit off of pallet.

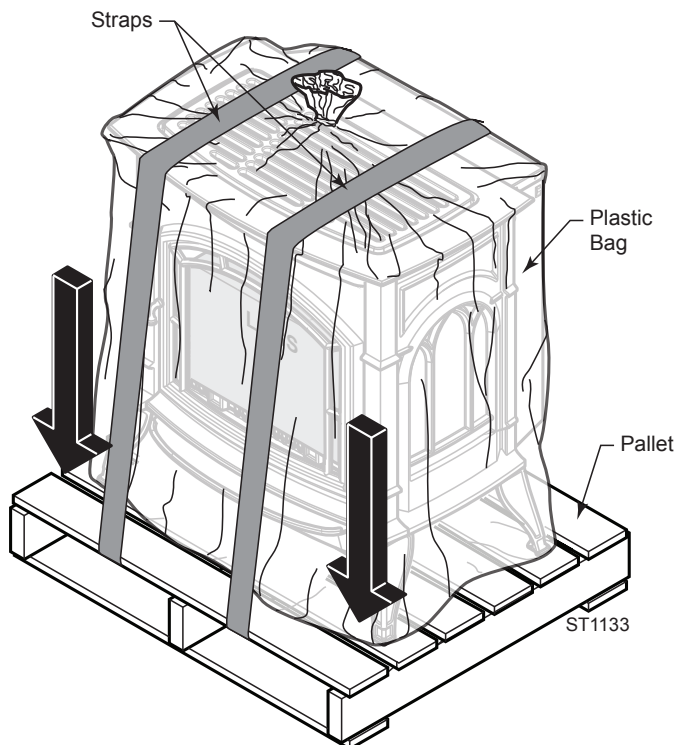


Figure 6 -
Remove Straps and Plastic from Unit

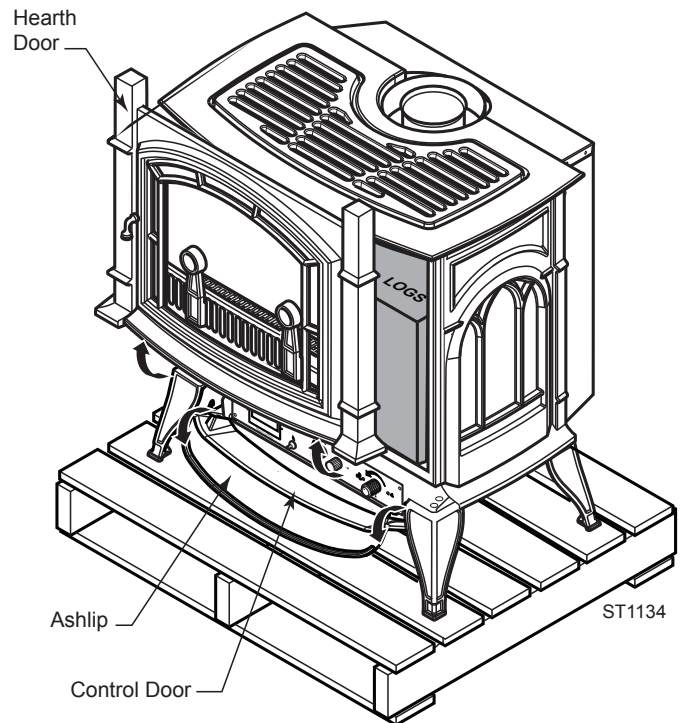


Figure 7 -
Open Control Door and Remove Hearth Door

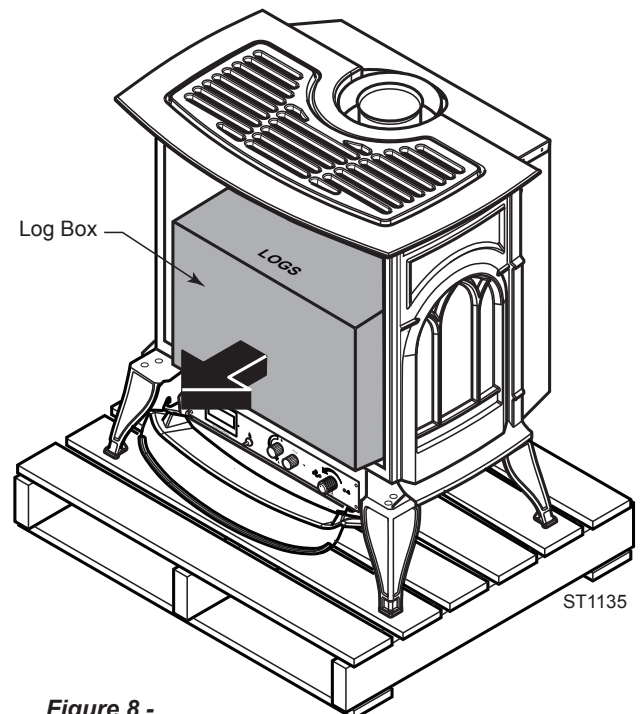


Figure 8 -
Remove Log Box

WARNING Read all instructions completely and thoroughly before attempting installation. Failure to do so could result in serious injury, property damage or loss of life. Operation of improperly installed and maintained venting system could result in serious injury, property damage or loss of life.

WARNING Failure to follow these instructions will void the warranty.

INSTALLATION PRECAUTIONS

Consult local building codes before beginning the installation. The installer must make sure to select the proper vent system for installation. Before installing vent kit, the installer must read this stove manual and vent kit instructions.

Only a qualified installer/service person should install venting system. The installer must follow these safety rules:

- Wear gloves and safety glasses for protection.
- Use extreme caution when using ladders or when on rooftops.
- Be aware of electrical wiring locations in walls and ceilings.

The following actions will void the warranty on your venting system:

- Installation of any damaged venting component.
- Unauthorized modification of the venting system.
- Installation of any component part not manufactured or approved by MHSC.
- Installation other than permitted by these instructions.

WARNING This stove must be vented to the outside. The venting system must **NEVER** be attached to a chimney serving a separate solid fuel burning appliance. Each gas appliance must use a separate vent system. Do not use common vent systems.

WARNING Horizontal sections of this vent system require a minimum clearance of 2" from the top of the pipe and 1" minimum to the sides and bottom. Vertical sections of this system require a minimum of 1" clearance to combustible materials on all sides of the pipe. *Only a 1" clearance is required where the vent passes through the nearest vertical wall.*

INSTALLATION PLANNING

There are two basic types of direct-vent installation:

- Horizontal Termination
- Vertical Termination

It is important to select the proper length of vent pipe for the type of termination you choose. It is also important to note the wall thickness.

FOR HORIZONTAL TERMINATION

Select the amount of vertical rise desired. The horizontal run of venting must have $\frac{1}{4}$ " rise for every 12" of run towards the termination.

You may use up to three 90° elbows in this vent configuration. Refer to *Horizontal Termination Configurations* on Page 16.

FOR VERTICAL TERMINATION

Measure the distance from the stove flue outlet to the ceiling. Add the ceiling thickness, the vertical rise in an attic or second story, and allow for sufficient vent height above the roof line. You may use one or two 90° elbows in this vent configuration. Refer to *Vertical Termination Configurations* on Page 18.

NOTE: You may use two 45° elbows in place of a 90° elbow. You must follow rise to run ratios when using 45° elbows. The appliance is approved for use with three 90° elbows maximum or a combination of 90° and 45° elbows up to a maximum of 270°.

For two-story applications, firestops are required at each floor level. If an offset is needed in the attic, additional pipe and elbows will be required.

You may use a chase with a vent termination with exposed pipe on the exterior of the house. Refer to *Installing Vent System in a Chase* below.

It is very important that the venting system maintain its balance between the combustion air intake and the flue gas exhaust. Certain limitations apply to vent configurations and must be strictly followed.

INSTALLING A VENT SYSTEM IN AN OUTSIDE CHASE

A chase is a vertical boxlike structure built to enclose venting that runs along the outside of a building. A chase is required for such venting.

NOTE: When installing in a chase, you should insulate the chase as you would the outside walls of your home. This is especially important in cold climates. Minimum clearance between vent pipes and combustible materials such as insulation is 1".

WARNING

Never run the vent pipe level or downward. This may cause excessive temperatures which could cause a fire.

NOTICE

Treatment of firestops and construction of the chase may vary from building type to building type. These instructions are not substitutes for the requirements of local building codes. You must follow all local building codes.

WARNING

Always maintain minimum clearances around vent systems. The minimum clearances to combustibles for horizontal vent pipe are 2" at the top and 1" at the sides and bottom of the vent system. For wall firestops, a 1" minimum clearance all around the pipe must be maintained. Do not pack the open air spaces with insulation or other materials. This could cause high temperatures and may present a fire hazard.

GENERAL VENTING INFORMATION - TERMINATION LOCATION

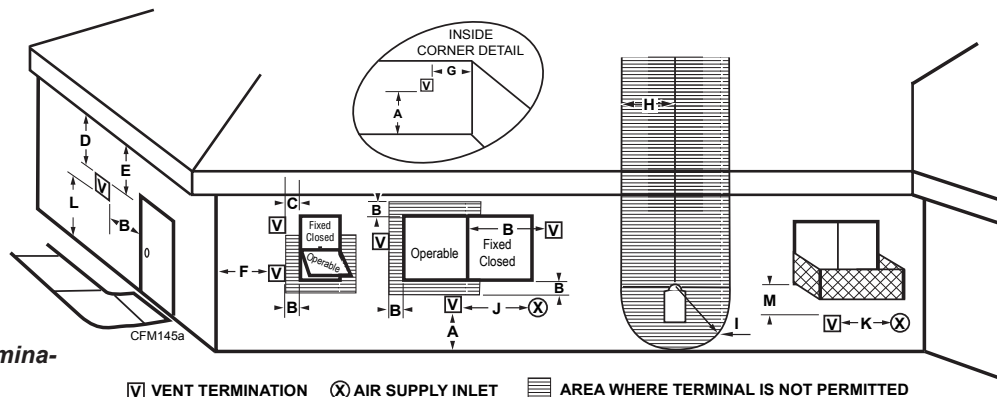


Figure 11 - Horizontal Vent Termination Locations

☑ VENT TERMINATION ⊗ AIR SUPPLY INLET ▨ AREA WHERE TERMINAL IS NOT PERMITTED

	Canadian Installations ¹	US Installations ²
A = Clearance above grade, veranda, porch, deck, or balcony	12" (30 cm)	12" (30 cm)
B = Clearance to window or door that may be opened	6" (15 cm) for appliances < 10,000BTU/h (3kW), 12" (30 cm) for appliances > 10,000 Btuh (3kW) and < 100,000 BTU/h (30kW), 36" (91 cm) for appliances > 100,000 BTU/h (30kW)	6" (15 cm) for appliances < 10,000 BTU/h (3kW), 9" (23 cm) for appliances > 10,000 Btuh (3kW) and < 50,000 BTU/h (15kW), 12" (30 cm) for appliances > 50,000 BTU/h(15kW)
C = Clearance to permanently closed window	12" (305 mm) recommended to prevent window condensation	12" (305 mm) recommended to prevent window condensation
D = Vertical clearance to ventilated soffit located above the terminal within a horizontal distance of 2' (610mm) from the center line of the terminal	18" (458 mm)	18" (458 mm)
E = Clearance to unventilated soffit	12" (305 mm)	12" (305 mm)
F = Clearance to outside corner	see next page	see next page
G = Clearance to inside corner (see next page)	see next page	see next page
H = Clearance to each inside of center line extended above meter/regulator assembly	3' (91 cm) within a height of 15' (5 m) above the meter/regulator assembly	3' (91 cm) within a height of 15' (5 m) above the meter/regulator assy
I = Clearance to service regulator vent outlet	3' (91 cm)	3' (91 cm)
J = Clearance to nonmechanical air supply inlet to building or the combustion air inlet to any other appliances	6" (15 cm) for appliances < 10,000 BTU/h (3kW), 12" (30 cm) for appliances > 10,000 BTU/h (3kW) and < 100,000 Btuh (30kW), 36" (91 cm) for appliances > 100,000 BTU/h (30kW)	6" (15 cm) for appliances < 10,000 BTU/h (3kW), 9" (23 cm) for appliances > 10,000 BTU/h (3kW) and < 50,000 BTU/h (15kW), 12" (30 cm) for appliances > 50,000 BTU/h(15kW)
K = Clearance to a mechanical air supply inlet	6' (1.83 m)	3' (91 cm) above if within 10' (3 m) horizontally
L = Clearance above paved sidewalk or paved driveway located on public property	7' (2.13 m)†	7' (2.13 m)†
M = Clearance under veranda, porch, deck or balcony	12" (30 cm)‡	12" (30cm)‡

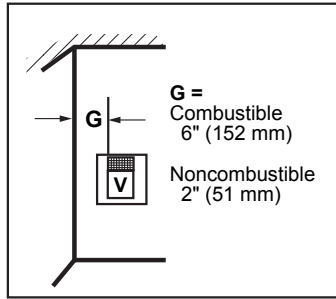
1 In accordance with the current CSA-B149 Installation Codes
 2 In accordance with the current ANSI Z223.1/NFPA 54 National Fuel Gas Codes
 † A vent shall not terminate directly above a sidewalk or paved driveway which is located between two single family dwellings and serves both dwellings
 ‡ only permitted if veranda, porch, deck or balcony is fully open on a minimum 2 sides beneath the floor:

NOTE: 1. Local codes or regulations may require different clearances.
 2. The special venting system used on Direct Vent Stoves is certified as part of the appliance, with clearances tested and approved by the listing agency.
 3. MHSC assumes no responsibility for the improper performance of the appliance when the venting system does not meet these requirements.

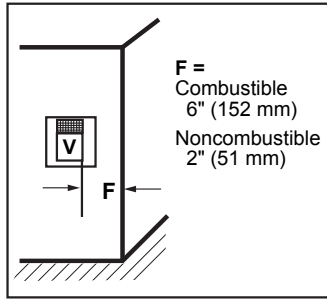
Termination Clearances

Termination clearances for buildings with combustible and noncombustible exteriors.

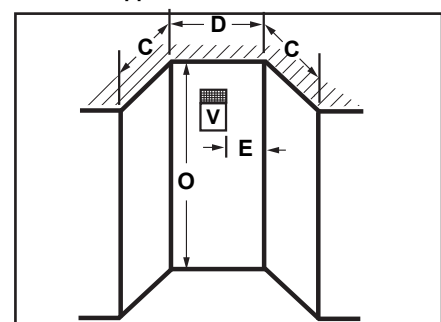
Inside Corner



Outside Corner



Alcove Applications*

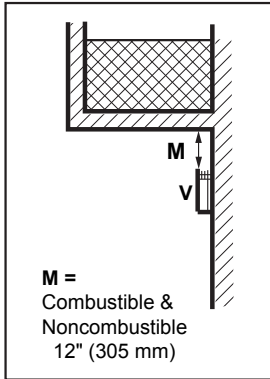


E = Min. 6" (152 mm) for non-vinyl sidewalls
 Min. 12" (305 mm) for vinyl sidewalls
 O = 8' (2.4 m) Min.

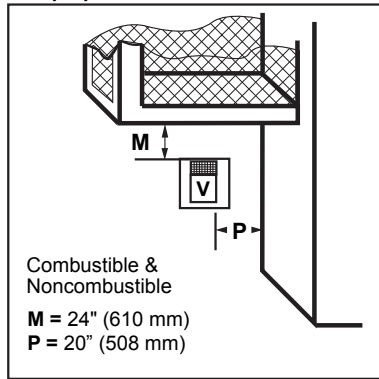
No. of Caps	D _{Min.}	C _{Max.}
1	3' (914 mm)	2 x D _{Actual}
2	6' (1.8 m)	1 x D _{Actual}
3	9' (2.7 m)	2/3 x D _{Actual}
4	12' (3.7 m)	1/2 x D _{Actual}

D_{Min.} = # of Termination caps x 3
 C_{Max.} = (2 / # termination caps) x D_{Actual}

Balcony - with no side wall



Balcony - with perpendicular side wall



584-15

Figure 12 - Allowable Venting

***NOTE:** Termination in an alcove space (spaces open only on one side and with an overhang) is permitted with the dimensions specified for vinyl or non-vinyl siding and soffits. 1. There must be a 3' (914 mm) minimum between termination caps. 2. All mechanical air intakes within 10' (1 m) of a termination cap must be a minimum of 3' (914 mm) below the termination cap. 3. All gravity air intakes within 3' (914 mm) of a termination cap must be a minimum of 1' (305 mm) below the termination cap.

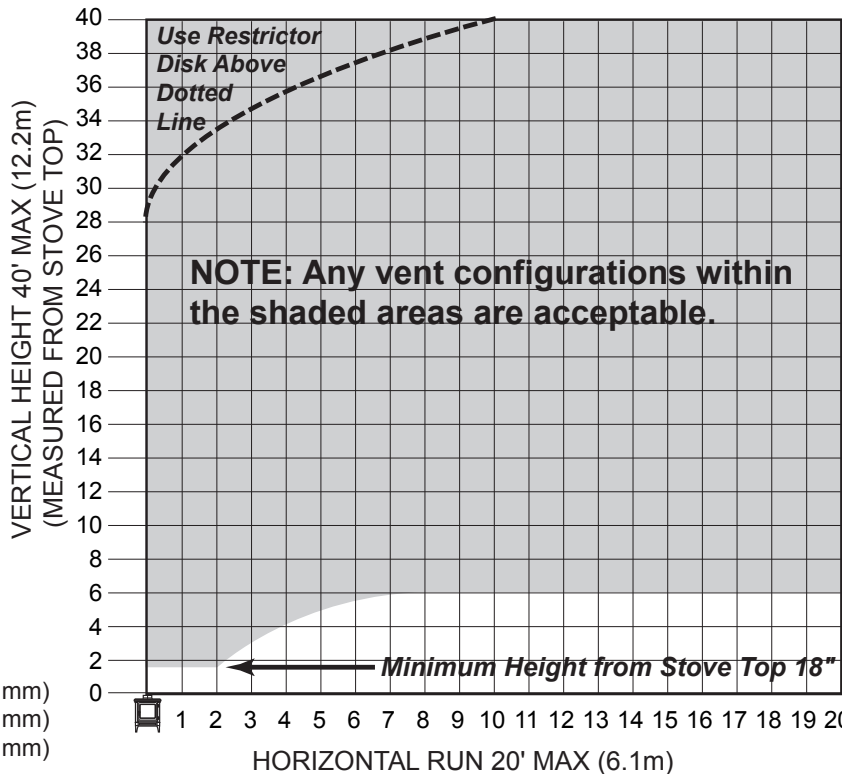


Figure 13 - Acceptable Venting Configurations

Actual Stove Height
 CSDV20 = 23½" (597 mm)
 CSDV30 = 28½" (724 mm)
 CSDV40 = 30½" (775 mm)

Minimum Height from Stove Top
 CSDV20 = 18" (457 mm)
 CSDV30 = 30" (762 mm)
 CSDV40 = 30" (762 mm)

INSTALLATION FOR HORIZONTAL TERMINATION

1. Determine the route your horizontal venting will take.

NOTE: The location of the horizontal vent termination on the exterior wall must meet all local and national building codes.

Snorkel terminations are available for terminations requiring a vertical rise on the exterior of the building. *Figures 14 and 15.* Follow the same installation procedures used for standard horizontal terminations. If installing the snorkel termination below grade (basement applications), you must provide proper drainage to prevent water from entering the snorkel termination. *Figure 13.* Do not back fill around the snorkel termination.

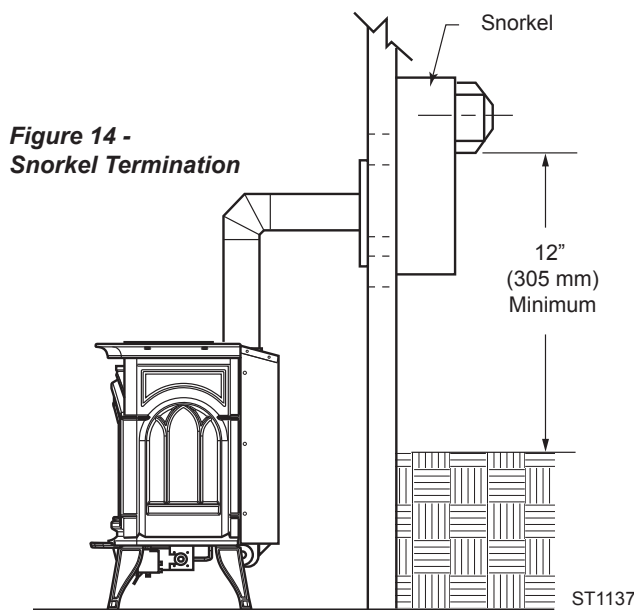


Figure 14 - Snorkel Termination

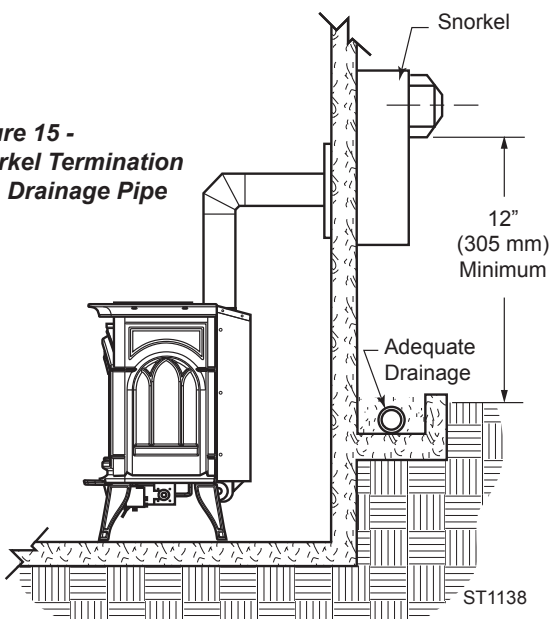
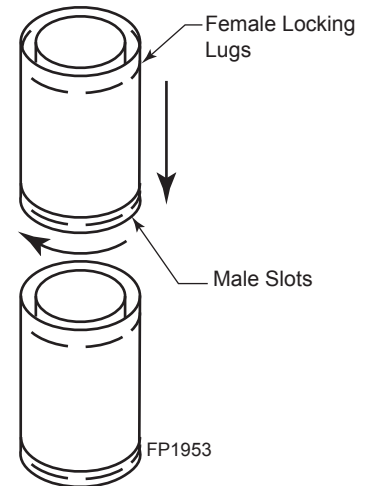


Figure 15 - Snorkel Termination with Drainage Pipe

2. Rigid vent pipes and fittings have special twist-lock connections. Assemble the desired combination of pipe and elbows to the appliance adaptor with pipe seams oriented towards the wall or floor.

Twist-lock Procedure: The female ends of the pipes and fittings have three locking lugs (indentations). These lugs will slide straight into matching slots on the male end of adjacent pipes and fittings. Push the pipe sections together and twist one section clockwise approximately one-quarter turn until the sections are fully locked. *Figure 16.*



NOTE: Horizontal runs of vent pipe must be supported every three (3) feet (914 mm). Use wall straps for this purpose.

Figure 16 - Rigid Vent Pipe Connections

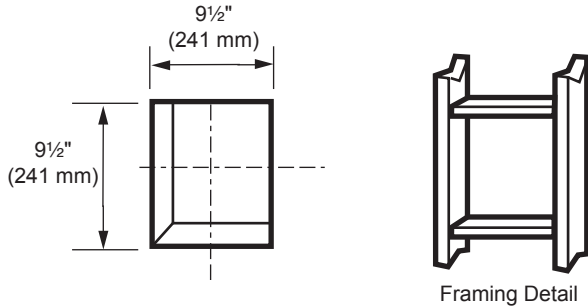
3. Attach vent pipe assembly to the stove. Set stove in front of its permanent location to insure minimum clearances. Mark the wall for a 9½" (241 mm) square hole (for noncombustible material such as masonry block or concrete, a 7½" [190 mm] diameter hole is acceptable). *Figure 17.* The center of the hole should line up with the center line of the horizontal rigid vent pipe. Cut a 9½" x 9½" (241 x 241 mm) square hole through combustible exterior wall (7½" [190 mm] diameter hole if noncombustible). Frame as necessary. *Figure 17*

4. Apply a bead of non-hardening mastic around the outside edge of vent cap. Position the vent cap in the center of the 7½" (190 mm) or 9½" (241 mm) hole on the exterior wall with the word "UP" on the vent cap facing up. Insure proper clearance of 1" to combustibles is maintained. Attach the vent cap with four wood screws supplied. *Figure 18*

For vinyl siding, stucco, or wood exterior use vinyl siding standoffs between vent cap and exterior wall. The vinyl siding standoff prevents excessive heat from melting the vinyl siding material. Bolt the vent cap to the standoff. Apply non-hardening mastic around outside edge of the standoff instead of the vent cap assembly. Use wood screws provided to attach the standoff. *Figure 19*

NOTE: Replace the wood screws with appropriate fasteners for stucco, brick, concrete, or other types of siding.

Vent Opening for Combustible Walls



Vent Opening for Noncombustible Wall

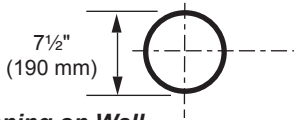


Figure 17 -
Locate Vent Opening on Wall

VO584-100

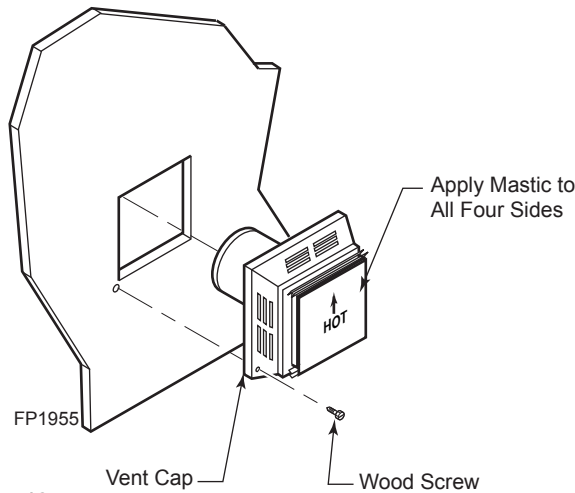


Figure 18 -
Install Horizontal Vent Cap

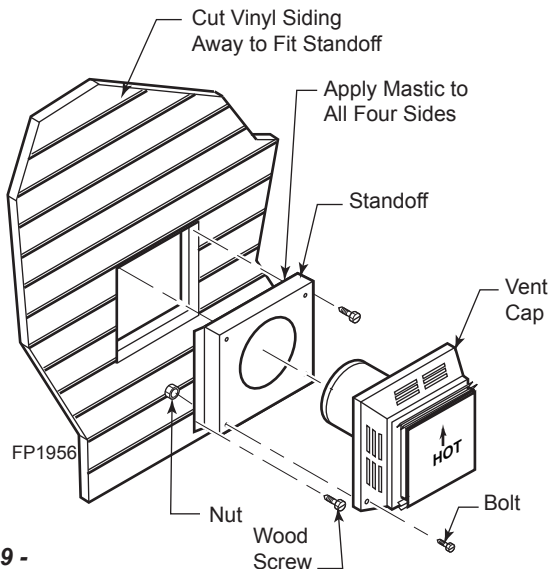


Figure 19 -
Install Vinyl Siding Standoff

WARNING

Do not recess vent termination into any wall. This will cause a fire hazard.

5. Slide the wall thimble over the vent pipe before connecting the horizontal run to the vent cap. *Figure 20*
6. Carefully move the stove with vent assembly attached toward the wall and insert the vent pipe into the horizontal termination. The pipe overlap should be a minimum of 1 1/4" (32 mm). Apply silicone to the outer pipe connection. Fasten all vent connections with screws provided.
7. Slide the wall thimble against the interior wall surface and attach with screws. *Figure 20*

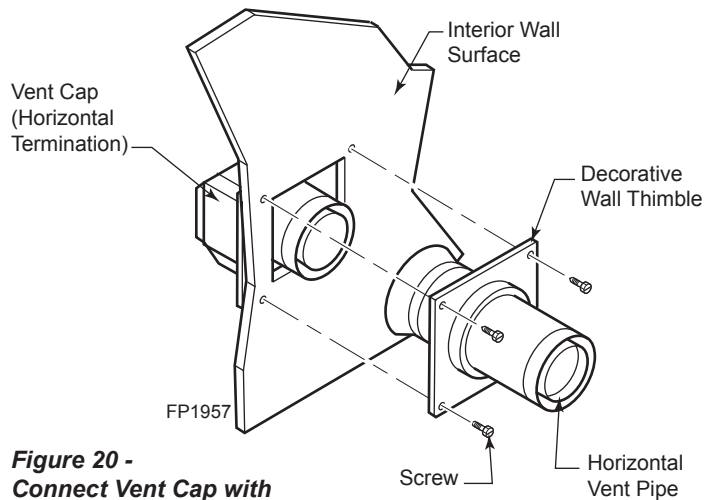


Figure 20 -
Connect Vent Cap with Horizontal Vent Pipe

HORIZONTAL TERMINATION CONFIGURATION EXAMPLES

Figures 21 through 23 show different configurations for venting and horizontal termination. Each figure includes a chart with an example of horizontal maximum and vertical minimum dimensions taken from the chart on Page 14. NOTE: The horizontal run controls the minimum vertical height (i.e. the longer the horizontal run, the higher the termination will be). Follow the chart on Page 14. All horizontal terminations require a 1/4" (6 mm) rise per 12" (305 mm) of horizontal run.

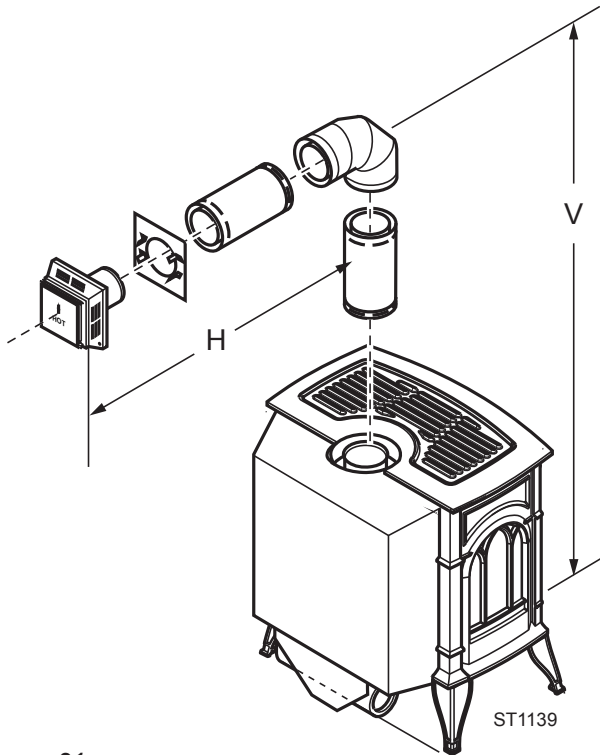


Table 2 - Horizontal Venting

Maximum Horizontal (H)	Vertical Minimum CSDV20 (V)	Vertical Minimum CSDV30 (V)	Vertical Minimum CSDV40 (V)
24" (610 mm)	41½" (1054 mm)	52½" (1334 mm)	54½" (1384 mm)
20' (6 m)	95¼" (2419 mm)	98¾" (2508 mm)	102¼" (2597 mm)

NOTE: Add 1/4" rise per 12" horizontal length of pipe.

NOTE: This configuration is for use with corner installation also.

Figure 21 - Horizontal Termination Configuration for Rigid Venting Using One (1) 90° Elbow

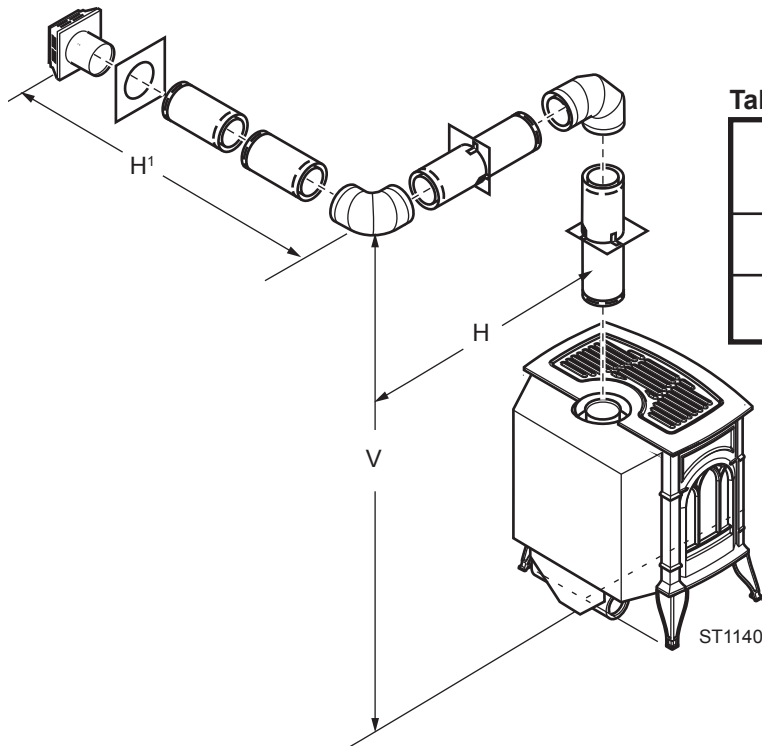
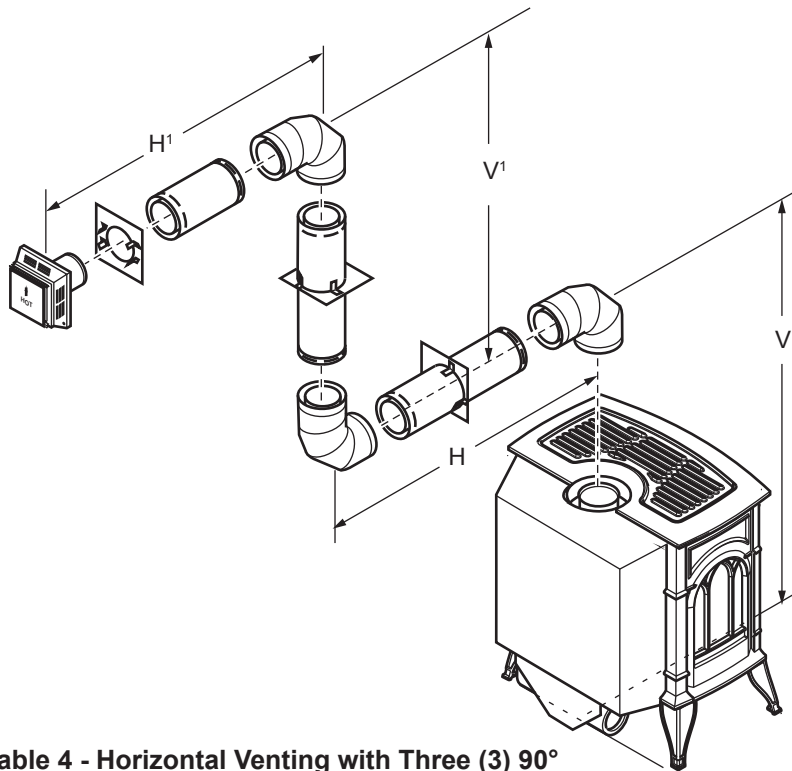


Table 3 - Horizontal Venting with Two (2) 90° Elbows

Maximum Horizontal H + H¹	Vertical Minimum		
	CSDV20 (V)	CSDV30 (V)	CSDV40 (V)
24" (610 mm)	41½" (1054 mm)	52½" (1334 mm)	54½" (1384 mm)
20' (6 m)	95¼" (2419 mm)	98¾" (2508 mm)	102¼" (2597 mm)

NOTE: Add 1/4" rise per 12" horizontal length of pipe.

Figure 22 - Horizontal Termination Configuration for Rigid Venting Using Two (2) 90° Elbows



NOTE: Add 1/4" rise per 12" horizontal length of pipe.

Table 4 - Horizontal Venting with Three (3) 90° Elbows

Maximum Horizontal (H + H')	Vertical Minimum		
	CSDV20 (V)	CSDV30 (V)	CSDV40 (V)
24" (610 mm)	41½" (1054 mm)	52½" (1334 mm)	54½" (1384 mm)
20' (6 m)	95¼" (2419 mm)	98¾" (2508 mm)	102¼" (2597 mm)

NOTE: V + V' = 20' (6 m) maximum.

INSTALLATION FOR VERTICAL TERMINATION

1. Determine the route your vertical venting will take. If ceiling joist, roof rafters or other framing will obstruct the venting system, consider an offset. Refer to Figure 24 to avoid cutting load bearing members.

NOTE: Pay special attention to these installation instructions for required clearances (air space) to combustibles when passing through ceilings, walls, roofs, enclosures, attic rafters, etc. Do not pack air spaces with insulation. Also note maximum vertical rise of the venting system and any maximum horizontal offset limitations. Offsets must fall within the parameters shown on Page 14, Figure 13.

2. Set stove in desired location. Drop a plumb line down from the ceiling to the position of the burner system exit flue. Mark the center point where the vent will penetrate the ceiling. Drill a small locating hole at this point.

Figure 23 - Horizontal Termination Configuration for Rigid Venting Using Three (3) 90° Elbows with Termination at 90° to Stove

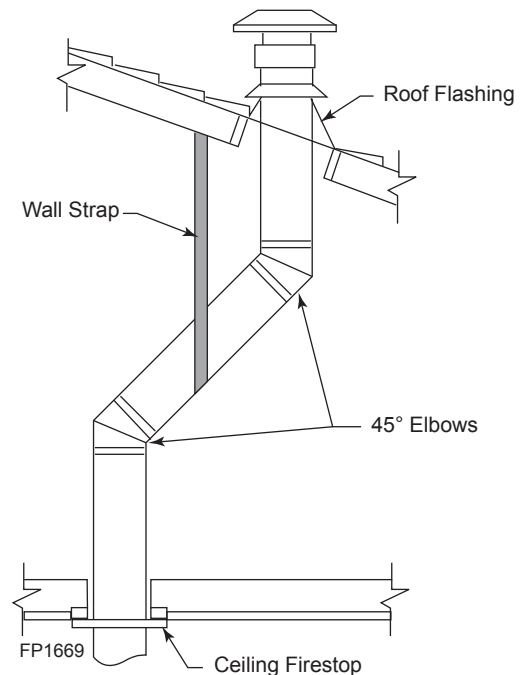


Figure 24 - Offset with Wall Strap and 45° Elbows

Drop a plumb line from the inside of the roof to the locating hole in the ceiling. Mark the center point where the vent will penetrate the roof. Drill a small locating hole at this point.

FLAT CEILING INSTALLATION

1. Cut a 9½" (241 mm) square hole in the ceiling using the locating hole as a center point. The opening should be framed to 9½" x 9½" (241 x 241 mm) inside dimensions as shown in *Figure 26* using framing lumber the same size as the ceiling joist. If the area above the ceiling is an insulated ceiling or a room, nail firestop from the top side. This prevents loose insulation from falling into the required clearance space. *Figure 23*. Otherwise, install firestop below the framed hole. The firestop should be installed with no less than three nails per side. *Figure 26*

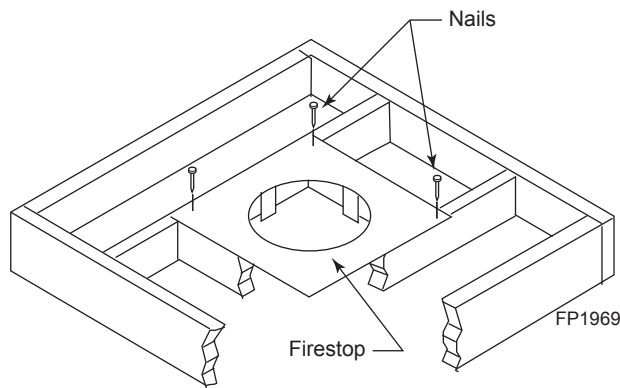


Figure 25 -
If area above is a room, install firestop above framed hole as shown

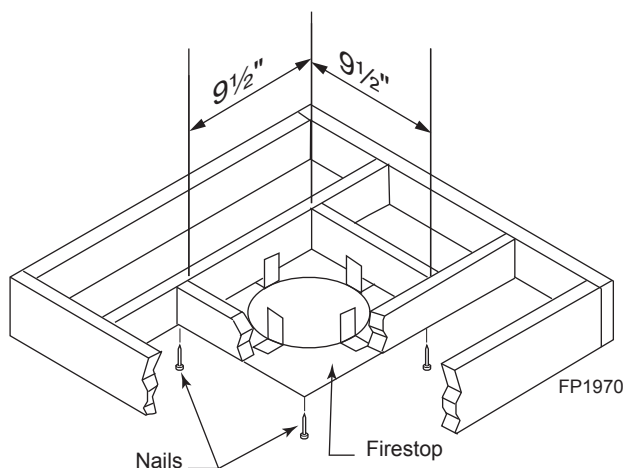


Figure 26 -
If area above is not a room, install firestop below framed hole as shown

2. Assemble the desired lengths of pipe and elbows necessary to reach from the burner system flue up through the firestop. Be sure pipe and elbow connections are fully twist-locked. *Page 15, Figure 16*
3. Cut a hole in the roof using the locating hole as a center point. (Cover any exposed open vent pipes before cutting hole in roof). The 9½" x 9½" (241 x 241 mm) hole must be measured on the horizontal. Actual length may be larger depending on the pitch of the roof. There must be a 1" minimum clearance from the vent pipe to combustible materials. Frame the opening as shown in *Page 16, Figure 17*.
4. Connect a section of pipe and extend up through the hole.

NOTE: If an offset is needed to avoid obstructions, you must support the vent pipe every three (3) feet. Use wall straps for this purpose. *Page 18, Figure 24*. Whenever possible, use 45° elbows instead of 90° elbows. The 45° elbow offers less restriction to the flow of the flue gases and intake air.

5. Place the flashing over the pipe section(s) extending through the roof. Secure the base of the flashing to the roof and framing with roofing nails. Be sure roofing material overlaps the top edge of the flashing as shown in *Page 18, Figure 24*. There must be a 1" clearance from the vent pipe to combustible materials.
6. Continue to add pipe sections until the height of the vent cap meets the minimum building code requirements.

NOTE: You must increase vent height for steep roof pitches. Nearby trees, adjoining roof lines, steep pitched roofs, and other similar factors may cause poor draft or down-drafting in high winds. Increasing the vent height may solve this problem.

NOTE: If the vent pipe passes through any occupied areas above the first floor, including storage spaces and closets, you must enclose pipe. You may frame and sheetrock the enclosure with standard construction material. Make sure to meet the minimum allowable clearances to combustibles. Do not fill any of the required air spaces with insulation.

CATHEDRAL CEILING INSTALLATION

IMPORTANT: Review all information on previous page before planning this installation. Cathedral ceiling installations can be very tricky.

1. Remove shingles or other roof covering as necessary to cut the rectangular hole for the support box. Mark the outline of the cathedral ceiling support box on the roof sheathing using the locating hole as a center point.
2. Cut the hole 1/8" larger than the support box outline. *Figure 27*.

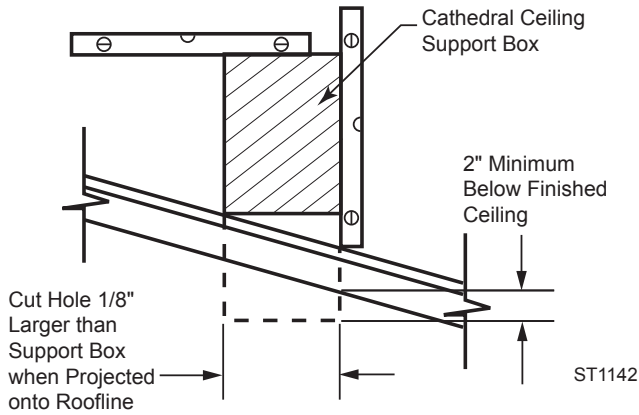


Figure 27 - Cathedral Ceiling Support Box Installation

3. Lower the support box through the hole in the roof until the bottom of the box extends at least 2" (mm) below the ceiling. *Figure 27*. Align the support box vertically and horizontally using a level. Temporarily tack the support box in place through the inside walls and into the roof sheeting.
4. Using tin snips, cut the support box from the top corners down to the roofline and fold the resulting flaps over the roof sheeting. *Figure 28*. Apply a bead of non-hardening mastic around the top edges of the support box to make a seal between the box and the roof. Nail in place with roofing nails. Remove any combustible material that might be inside the support box.
5. Complete the cathedral ceiling installation by following the same procedures outlines in Steps 2 through 6 for *Flat Ceiling Installation, Page 19* and above.

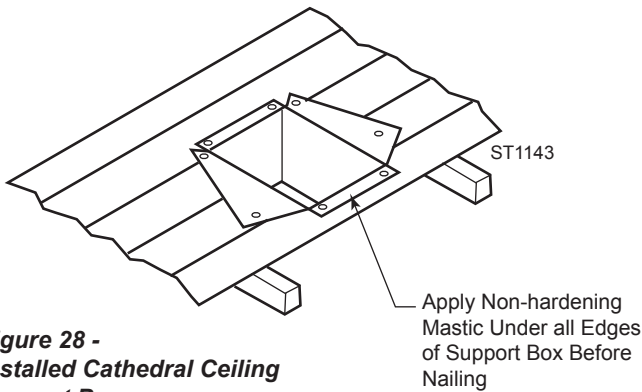


Figure 28 - Installed Cathedral Ceiling Support Box

VERTICAL TERMINATION CONFIGURATIONS

Figures 29 through 31 show four different configurations for vertical termination.

IMPORTANT: Install restrictor as indicated on chart (*Figure 13*) on Page 14.

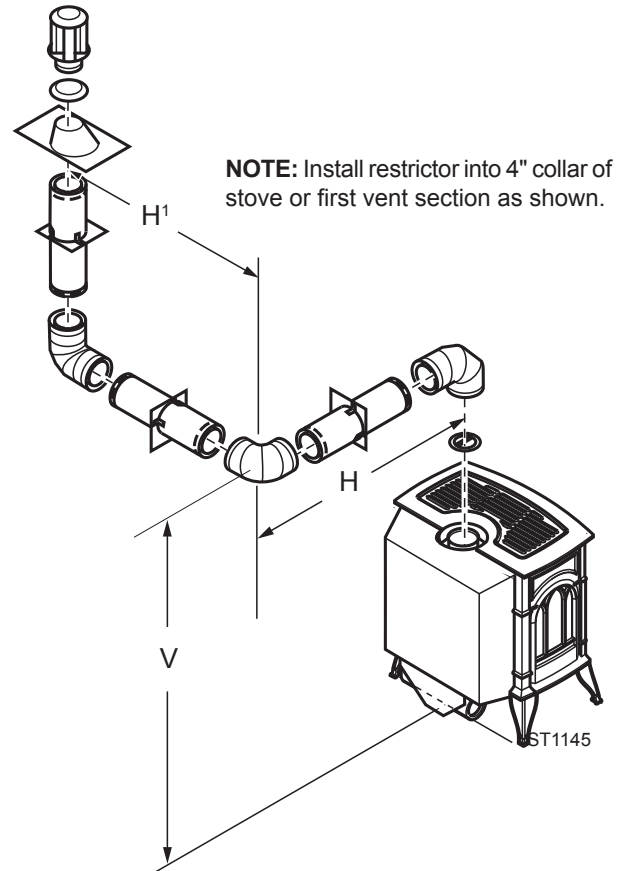


Table 5 - Venting with Three (3) 90° Elbows

Maximum Horizontal (H + H ¹)	Minimum CSDV20 (V)	Vertical Minimum CSDV30 (V)	Minimum CSDV40 (V)
24" (610 mm)	41½" (1054 mm)	52½" (1334 mm)	54½" (1384 mm)
20' (6 m)	95¼" (2419 mm)	98¾" (2508 mm)	102¼" (2597 mm)

Figure 29 - Vertical Rigid Venting Configuration using Three (3) 90° Elbows with Two (2) Horizontal Runs

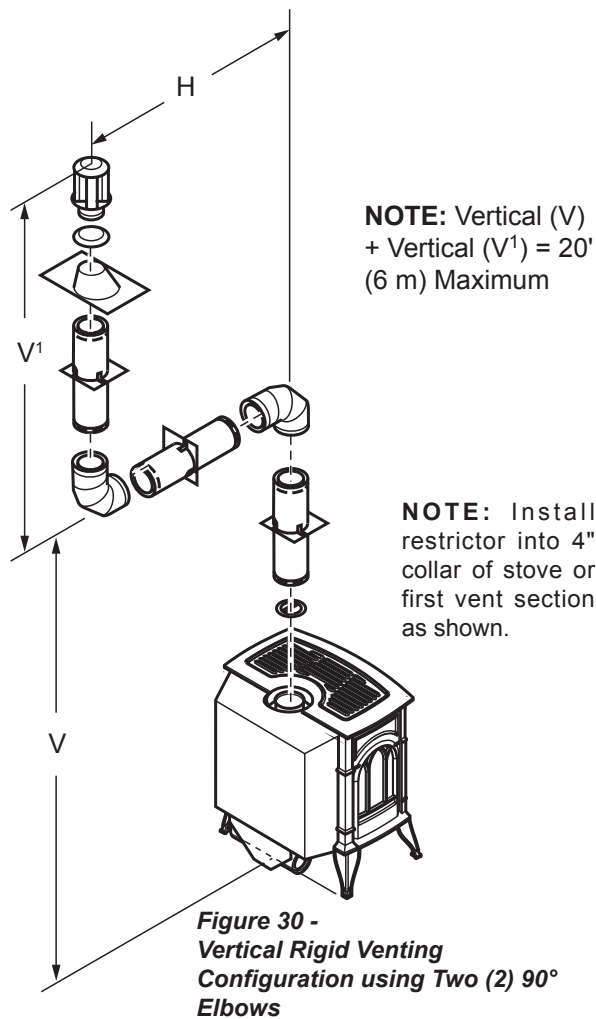


Table 6 - Venting with Two (2) 90° Elbows

Maximum Horizontal (H)	Minimum CSDV20 (V)	Minimum CSDV30 (V)	Minimum CSDV40 (V)
24" (610 mm)	41 1/4" (1048 mm)	44 3/4" (1137 mm)	48 3/4" (1238 mm)
20' (6 m)	95 1/4" (2419 mm)	98 3/4" (2508 mm)	102 1/4" (2597 mm)

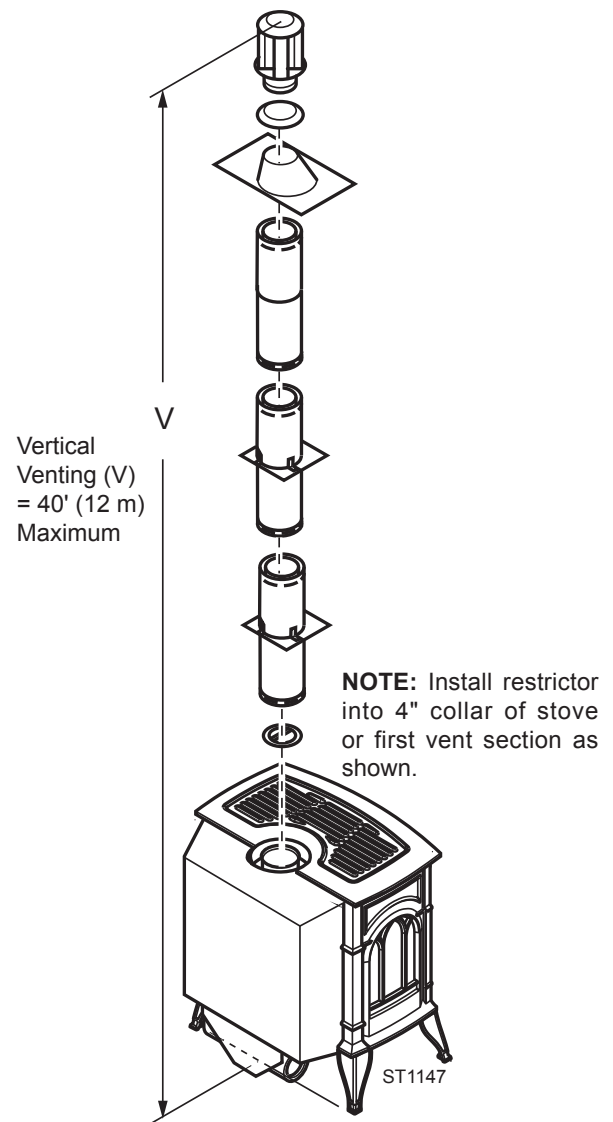


Figure 31 - Vertical Rigid Venting Configuration with No Horizontal Run

SIMPSON DURAVENT GS 4" X 6 5/8" (BLACK PIPE)

Number	Description	Number	Description
902B	6 5/8" x 48" Pipe	943S	Roof Flashing 7/12 - 12/12
903B	6 5/8" x 36" Pipe	945B	6 5/8" x 45° Elbow
904B	6 5/8" x 24" Pipe	950	Vinyl Siding Standoff
906B	6 5/8" x 12" Pipe	953	Storm Collar
907b	6 5/8" x 9" Pipe	963	Ceiling Firestop
908B	6 5/8" x 6' Pipe	981	36" Snorkel Termination
911B	6 5/8" Adjustable (11" - 14 5/8" Pipe)	984	Horizontal Termination Vent Cap
940	Wall Thimble	988	Wall Strap
941	Cathedral Ceiling Support Box	990B	6 5/8" x 90° Elbow
943	Roof Flashing 0/12 - 6/12	991	Vertical High Wind Termination

CHECK GAS TYPE

Use proper gas type for the fireplace you are installing. If you have conflicting gas type, do not install fireplace. See dealer where you purchased the fireplace for proper fireplace according to your gas type.

INSTALLING GAS PIPING TO FIREPLACE LOCATION

WARNING

A qualified installer or service person must connect appliance to gas supply. Follow all local codes.

CAUTION

For propane/LP units, never connect stove directly to the propane/LP supply. This burner system requires an external regulator (not supplied). Install the external regulator between the burner system and propane/LP supply.

INSTALLATION ITEMS NEEDED

Before installing stove and burner system, make sure you have the items listed below.

- External regulator (supplied by installer)
- Equipment shutoff valve*
- approved flexible gas line with gas connector (if allowed by local codes — not provided)
- Piping (check local codes)
- Test gauge connection*
- Tee joint
- Sealant (resistant to propane/LP gas)
- Sediment trap (recommended)
- Pipe wrench

* A CSA design-certified equipment shutoff valve with 1/8" NPT tap is an acceptable alternative to test gauge connection. Purchase the CSA design-certified equipment shutoff valve from your dealer.

For propane/LP connections only, the installer must supply an external regulator. The external regulator will reduce incoming gas pressure. You must reduce incoming gas pressure to between 11 and 13 inches of water. If you do not reduce incoming gas pressure, burner system regulator damage could occur. Install external regulator with the vent pointing down as shown in *Figure 32*. Pointing the vent down protects it from freezing rain or sleet.

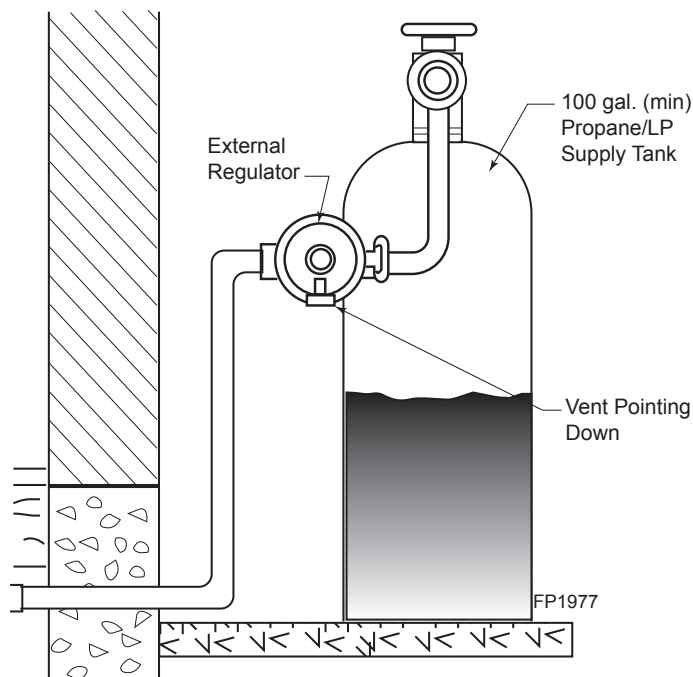


Figure 32 -
External Regulator with Vent Pointing Down
(Propane/LP Only)

CAUTION

Use only new black iron or steel pipe. Internally tinned copper or copper tubing can be used per National Fuel Code, Section 2.6.3, providing gas meets hydrogen sulfide limits, and where permitted by local codes. Gas piping system must be sized to provide minimum inlet pressure (listed on data plate) at the maximum flow rate (BTU/hr). Undue pressure loss will occur if the pipe is too small.

WARNING

External regulators may be necessary for natural gas. One- or two-pound systems will damage this appliance and may cause fire hazard.

When using copper or flex connectors use only fittings approved for gas connections. The gas control inlet is 3/8" NPT.

WARNING Only persons licensed to work with gas piping may make the necessary gas connections to this appliance.

CAUTION A manual shutoff valve must be installed upstream of the appliance. Union tee and plugged 1/8" NPT pressure tapping point should be installed upstream of the appliance. *Figure 33*

NOTE : The gas line connection may be made using 1/2" rigid tubing or an approved flex connector. Since some municipalities have additional local codes it is always best to consult your local authorities and the current edition of the National Fuel Gas Code ANSI.Z223.1, NFPA54. In Canada CSA-B149 (1 or 2) Installation Code.

A listed manual shutoff valve must be installed upstream of the appliance. Union tee and plugged 1/8" NPT pressure tapping point should be installed upstream of the appliance. *Figure 33*

CAUTION Use pipe joint sealant that is resistant to liquid petroleum (LP) gas.

IMPORTANT: Install main gas valve (equipment shutoff valve) in an accessible location. The main gas valve is for turning on or shutting off the gas to the fireplace.

Check your building codes for any special requirements for locating equipment shutoff valve to fireplaces.

Apply pipe joint sealant lightly to male threads. This will prevent excess sealant from going into pipe. Excess sealant in pipe could result in clogged burner system valves.

We recommend that you install a sediment trap/drip leg in supply line as shown in *Figure 33*. Locate sediment trap/drip leg where it is within reach for cleaning. Install in piping system between fuel supply and burner system. Locate sediment trap/drip leg where trapped matter is not likely to freeze. A sediment trap traps moisture and contaminants. This keeps them from going into the burner system gas controls. If sediment trap/drip leg is not installed or is installed wrong, burner system may not run properly.

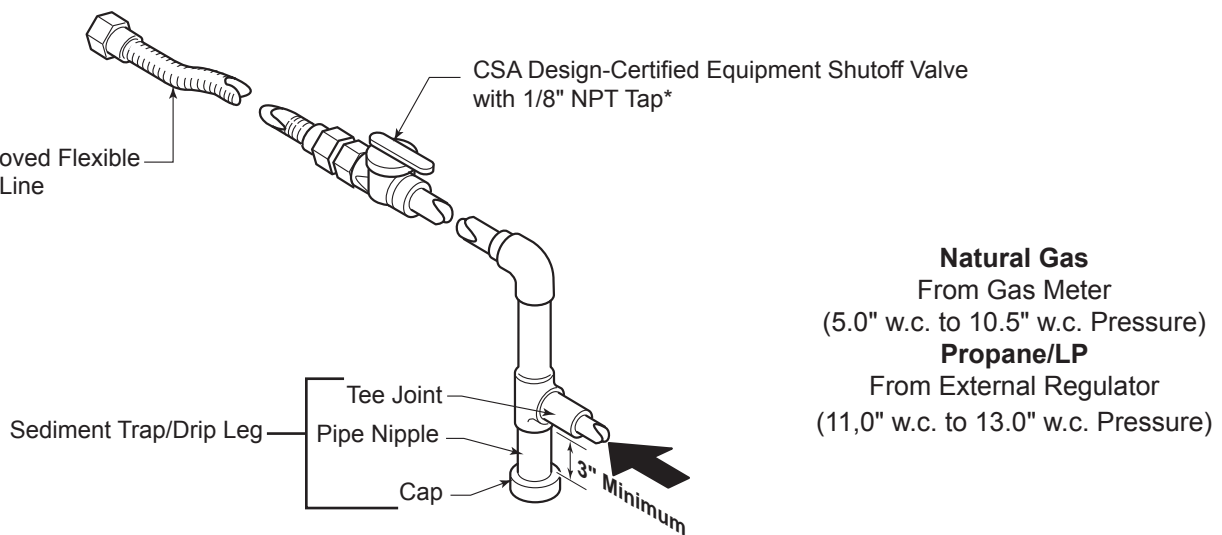
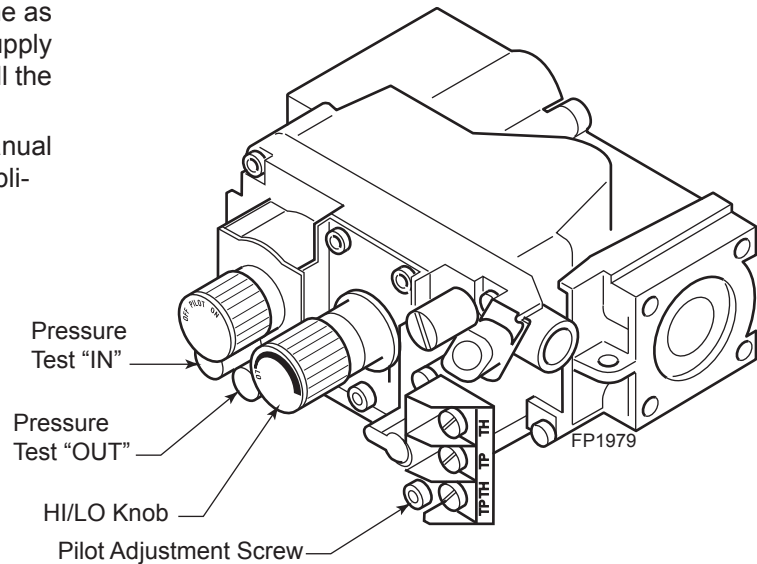


Figure 33 - Gas Connection

1. Check gas type. The gas supply must be the same as stated on the appliance's rating decal. If the gas supply is different from the fireplace, **STOP!** Do not install the appliance. Contact your dealer immediately.
2. To ease installation, a 30" (mm) flex line with manual shut-off valve has been provided with on this appliance. Install and attach 1/2" gas line onto shut-off valve.
3. After completing gas line connection, purge air from gas line and test all gas joints from the gas meter to the fireplace for leaks. Use a solution of 50/40 water and soap or a gas sniffer.
4. To adjust flame height, turn HI/LO knob to HI to get maximum pressure to burner. Turn HI/LO knob to LO to get minimum pressure.
5. To check gas pressures at valve, turn captured screw counter clockwise 2 or 3 turns and then place tubing to pressure gauge over test point. Turn unit to high. *Figure 34*. After taking pressure reading, be sure and turn captured screw clockwise firmly to reseal. Do not over torque. Check test points for gas leaks.



**Figure 34 -
Gas Pressure Check at Gas Valve**

WARNING

Do not use open flame to check for gas leaks.

ELECTRICAL WIRING

This stove will work without any electrical supply. Electricity is only needed to operate blower.

NOTE: If installed in mobile home, fireplace must be bolted securely to floor.

WARNING

Electrical connections should only be performed by a qualified, licensed electrician. Main power must be off when connecting to main electrical power supply or performing service. All wiring shall be in compliance with all local, city and state codes. The appliance, when installed, must be electrically grounded in accordance with local codes or in the absence of local codes, with the National Electrical Code ANSI/NFPA 70 (latest edition) and Canadian Electrical Code, CSA C22.1.

CAUTION

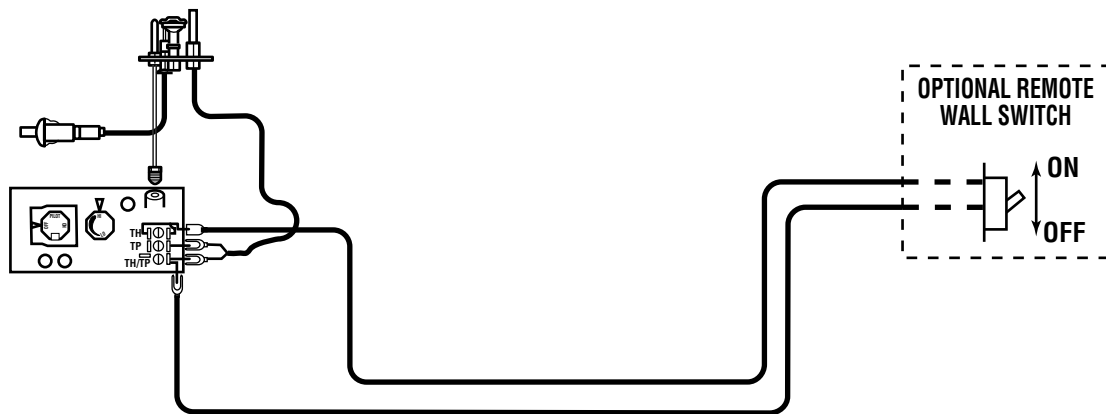
Label all wires before disconnecting when servicing controls. Wiring errors can cause improper and dangerous operation.

Verify proper operation after servicing.

REMOTE WALL MOUNTED SWITCH

A remote wall switch and up to fifteen (15) feet of 18 Ga. wire may be used with this appliance. Attach the wall switch in a junction box at the desired location on the wall. *Figure 35*. Do not extend beyond the wall switch wire length provided.

NOTE: Extended lengths of wire may cause the fireplace not to function properly. Longer length of wire is permitted if the wire is made out of larger gauge (diameter) wire. Always check with local code.



*Figure 35 -
Wiring Diagram for Wall Switch*

Before you begin — This unit is supplied with ceramic fiber logs. Do not handle these logs with your bare hands. **Always wear gloves to prevent skin irritation from ceramic fibers.** After handling the logs, wash your hands gently with soap and water to remove any traces of fibers.

WARNING

The positioning of the logs is critical to the safe and clean operation of this heater. Sooting and other problems may result if the logs are not properly and firmly positioned in the appliance. Never add additional logs or embellishments such as pine cones or vermiculite to the heater. Only use the logs supplied with the unit.

Failure to position the parts in accordance with diagrams below or to use only parts specifically approved for this heater may result in property damage or personal injury.

PLACE CSDV20 LOGS IN FIREBOX

Figure 36

1. Carefully remove logs from wrapping.
2. Open front door of firebox.
3. Place rear log (#1) on rear log pin.
4. Place left base log (#2) on the two pins against left side of firebox.
5. Place right base log (#3) on the two pins against right side of firebox.

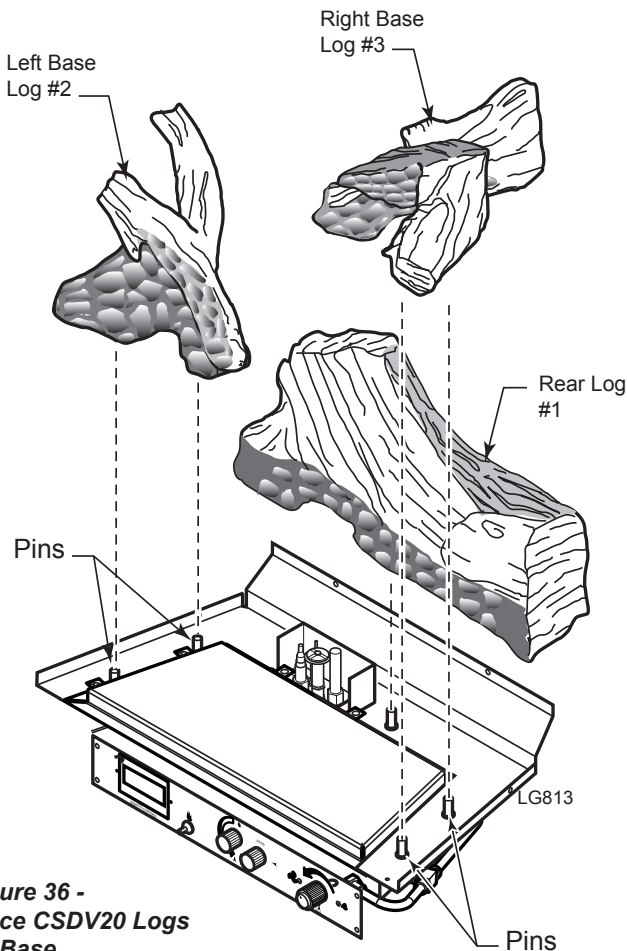


Figure 36 -
Place CSDV20 Logs
on Base

PLACE ROCK WOOL (EMBER MATERIAL) IN FIREBOX

Break up rock wool (ember material) into dime-sized pieces. Fluff up rock wool. Place rock wool evenly across burner surface. Do not block any areas around the perimeter of the burner, as these are the areas that supply the needed air for secondary combustion. **Do not place rock wool under logs.** Figure 37

NOTE: Do not exceed one (1) layer of rock wool coverage. Place a small amount of rock wool on the rear side of the burner only between tabs. The tabs are designed to indicate the area where rock wool location. Do not place rock wool outside the tabs in the back.

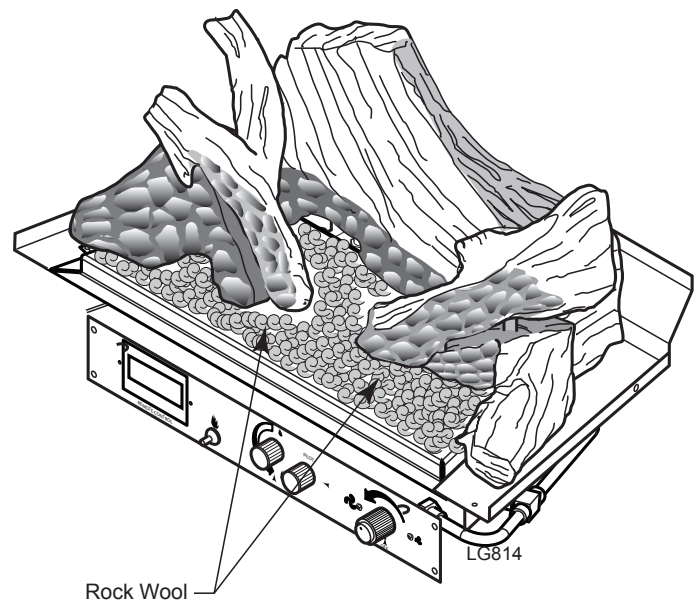


Figure 37 -
CSDV20 Rock Wool Placement

PLACE CSDV30 LOGS IN FIREBOX

Figure 38

1. Carefully remove logs from wrapping.
2. Open front door of firebox.
3. Place rear log (#1) on rear log pin.
4. Place left base log (#2) on the two pins against left side of firebox.
5. Place right base log (#3) on the two pins against right side of firebox.
6. Place top left log (#4) on left base log. Line up the notch in the bottom of the top log with the locator pins on the bottom log.
7. Place top right log (#5) on right base log. Line up the notch in the bottom of the top log with the locator pins on the bottom log.

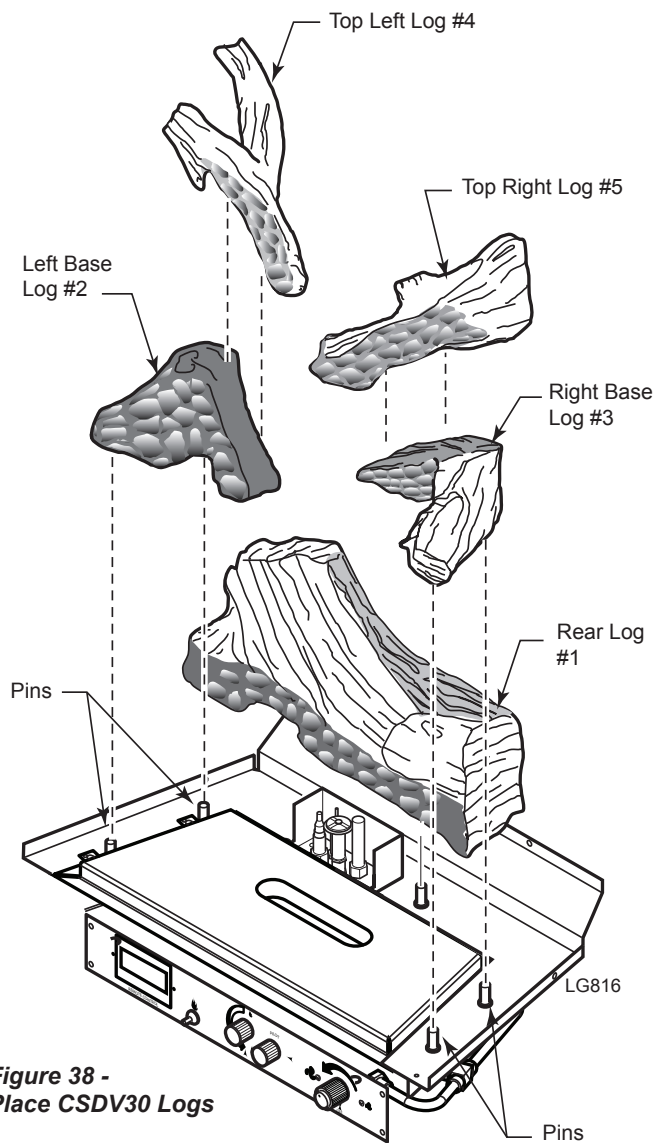


Figure 38 - Place CSDV30 Logs

PLACE LOGS AND ROCK WOOL (EMBER MATERIAL) IN FIREBOX

Break up rock wool (ember material) into dime-sized pieces. Fluff up rock wool. Place rock wool evenly across the front of the burner surface. Do not block any areas around the perimeter of the burner, as these are the areas that supply the needed air for secondary combustion. Do not cover the screen on the rear half of the burner as this area allows for air to enter under the front logs. *Do not place rock wool under logs. Figure 39*

NOTE: Do not exceed one (1) layer of rock wool overage. Do not place rock wool on rear of burner.

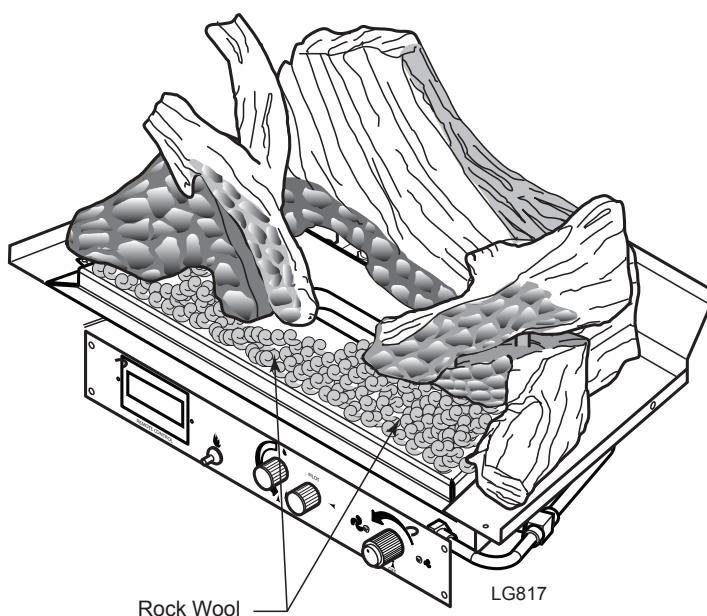


Figure 39 - Place CSDV30 Rock Wool

PLACE CSDV40 LOGS IN FIREBOX

Figure 40

1. Carefully remove logs from wrapping.
2. Open front door of firebox.
3. Place rear log (#1) on rear log pins.
4. Place left base log (#2) on the two pins against left side of firebox.
5. Place right base log (#3) on the two pins against right side of firebox.
6. Place top left log (#4) on left base log. Line up the notch in the bottom of the top log with the locator pins on the bottom log.
7. Place top right log (#5) on right base log. Line up the notch in the bottom of the top log with the locator pins on the bottom log.
8. Rest one end top mid log (#6) on left base log and the other on front burner.

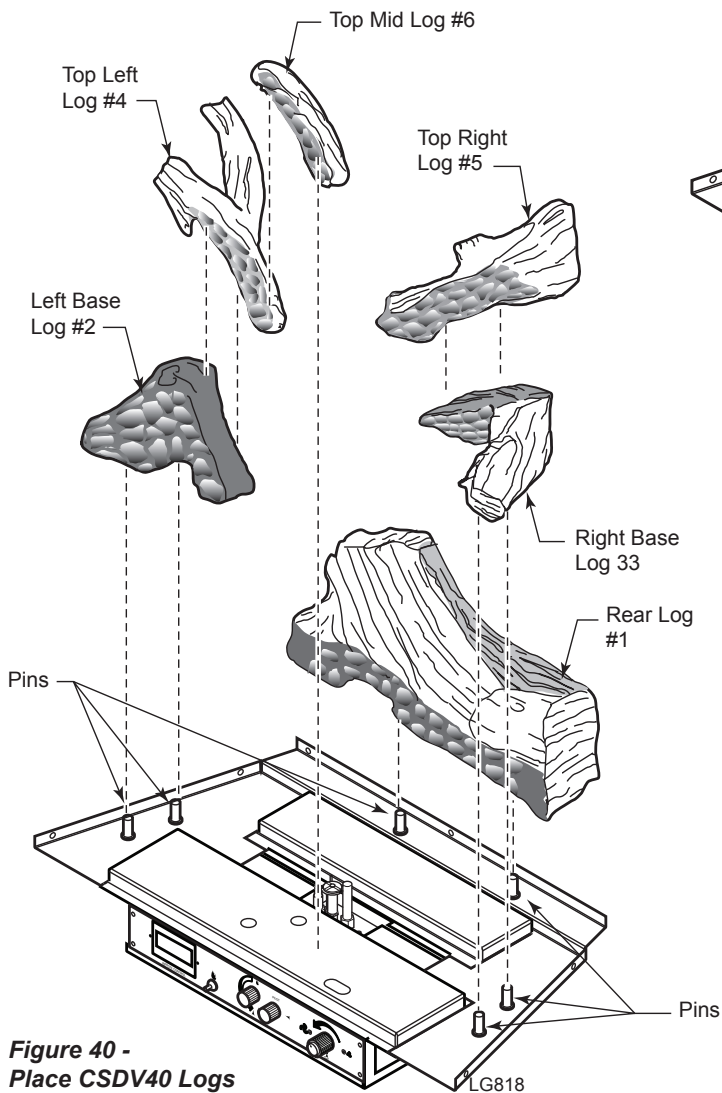


Figure 40 - Place CSDV40 Logs

PLACE ROCK WOOL (EMBER MATERIAL) IN FIREBOX

Break up rock wool (ember material) into dime-sized pieces. Fluff up rock wool. Place rock wool evenly across both burner surfaces. Do not block any areas around the perimeter of the burner, as these are the areas that supply the needed air for secondary combustion. Figure 41

NOTE: Do not exceed one (1) layer of rock wool coverage.

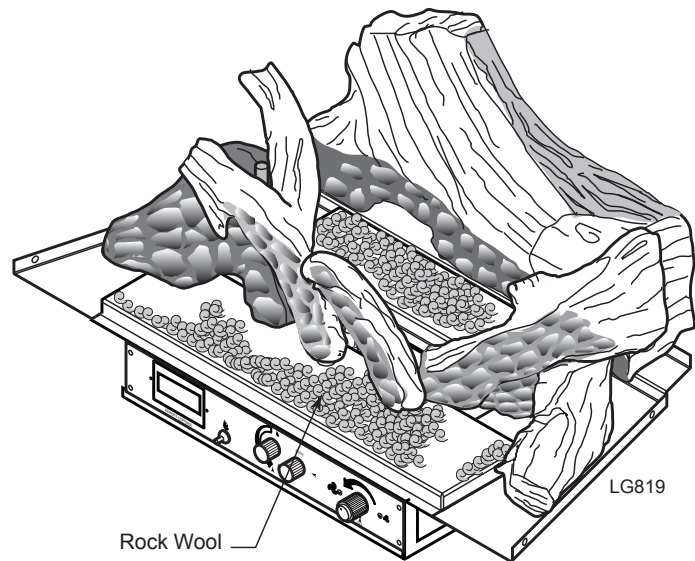


Figure 41 - Place CSDV40 Rock Wool

FOR YOUR SAFETY READ BEFORE LIGHTING**WARNING**

If you do not follow these instructions exactly, a fire or explosion may result causing property damage, personal injury or loss of life.

- A.** This appliance is equipped with a pilot which must be lit by hand while following these instructions exactly.
- B.** BEFORE OPERATING smell all around the appliance area for gas. Be sure to smell next to the floor because some gas is heavier than air and will settle on the floor.

WHAT TO DO IF YOU SMELL GAS:

- Turn off all gas to the appliance.
 - Open windows.
 - Do not attempt to light any appliance.
 - Do not touch any electric switch; do not use any phone in your building.
 - Immediately call your gas supplier from a neighbor's phone. Follow the gas supplier's instructions.
 - If you cannot reach your gas supplier, call the fire department.
- C.** Use only your hand to push in, or turn the gas control knob. Never use tools. If the knob will not push in or turn by hand, don't try to repair it. Call a qualified service technician. Force or attempted repair may result in a fire or explosion.
- D.** Do not use this appliance if any part of it has been under water. Immediately call a qualified service technician to inspect the appliance and to replace any part of the control system and any gas control that has been under water.

LIGHTING PILOT FOR THE FIRST TIME

INITIAL LIGHTING

Purge air from the supply line as follows:

- Open main shutoff valve.
- Unscrew main pressure test point.
- Leave inlet test screw open until gas comes in.
- When gas is flowing, tighten inlet screw immediately.

LEAK TESTING

You may check for gas leaks with the following methods only:

- Soap and water solution
- An approved leak testing spray
- Electronic sniffer

Check for gas leaks in each of the following locations:

- Pipe from the gas supply line connection to the gas valve
- Burner connections
- Pilot
- Each joint or connection
- Field made joints / gas shutoff valve
- Factory made joints
- All joints on valve and control body

WARNING

If using a soap and water solution to test for leaks, **DO NOT** spray solution onto control body.

WARNING


Never use an open flame to check for gas leaks.

LIGHTING PILOT

WARNING

The control has an interlock device that does not allow the lighting of the stove up to the moment the safety device of the flame has not interrupted the gas flow. After that period of time (when the magnet is closed), it is possible to start the lighting operation.

The gas control knob is designed to be operated by hand. **DO NOT** use any tools during this operation. Damaged knobs may result in serious injury.

1. Depress and turn knob counterclockwise  to pilot position.
2. Depress fully and hold pilot gas knob. The electronic ignitor will automatically ignite the pilot. Keep knob fully depressed for a few seconds. Release and check that pilot continues to burn.

If the pilot does not stay lit, repeat Steps 1 and 2.

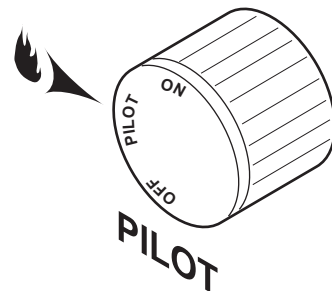


Figure 42 -
Pilot Position

LIGHTING BURNER


MAIN BURNER SWITCH

The “ON/OFF” switch for the main burner can be found on the back right side of the stove. This switch allows you to turn on and to turn off the main burner without using the gas valve knob. Make sure the button is in the “ON” position to light the main burner. *Figure 43*



Figure 43 - On/Off/RS Switch

LIGHTING THE BURNER

Depress and turn the knob counterclockwise  to the “ON” position. *Figure 44*. It will take less than four (4) seconds for the burner to ignite.

PILOT POSITION

Depress and turn knob to pilot position to keep burner off while maintaining the pilot light. *Figure 45*

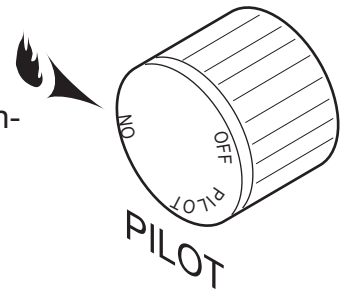


Figure 44 - On Position

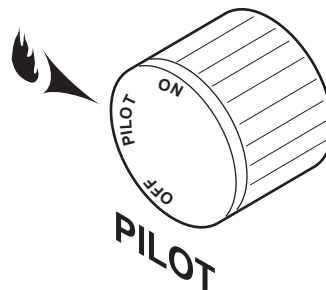


Figure 45 - Pilot Position

TO TURN OFF GAS

Depress and turn knob clockwise  to “OFF” position. *Figure 46*

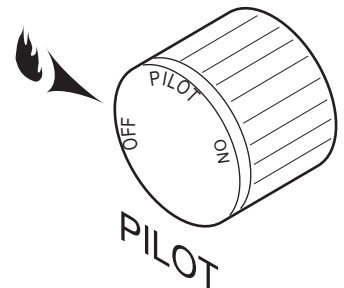
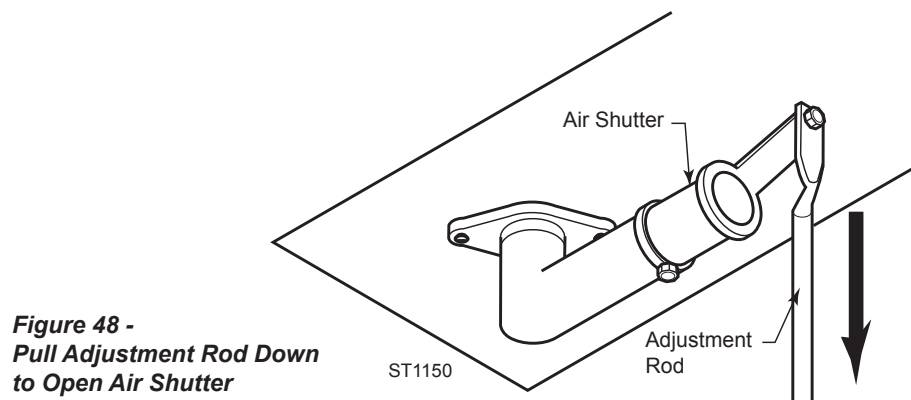
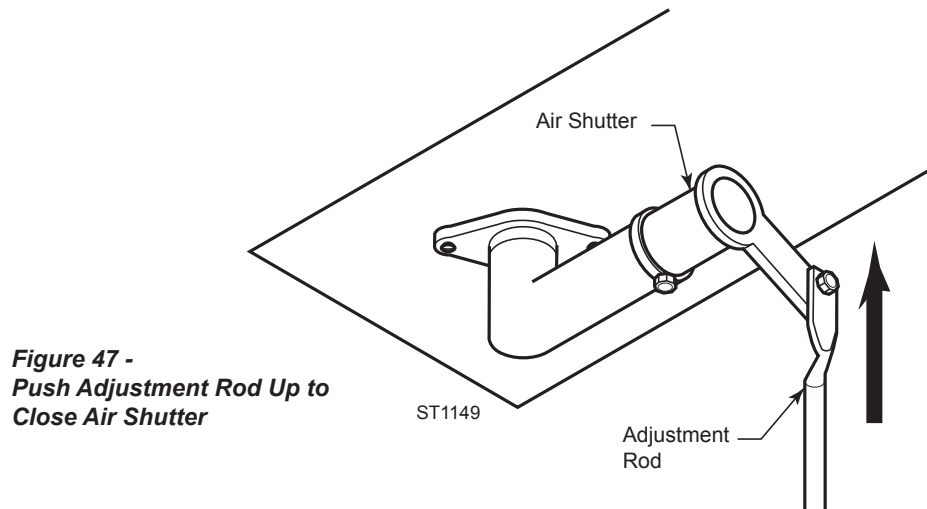


Figure 46 - Off Position

ADJUSTING THE AIR SHUTTER

The venturi of the burner is equipped with an air shutter. The opening of the venturi has been set at 1/4" for Natural Gas and fully open for Propane installation at sea level. Natural Gas Models may be adjusted for high altitude as follows:

- To increase air mixture, pull down the adjustment rod located beneath the stove. This opens the shutter more and will stop sooting. *Figure 47*
- To decrease air mixture, push up the adjustment rod located beneath the stove. This closes the shutter. Flames will be more yellow. *Figure 48*



Make sure the gas valve knob is in the "OFF" position. Wait at least five (5) minutes before start-ing maintenance.

VENTING SYSTEM

A qualified agency should examine the venting system annually.

CLEANING GLASS

Clean the ceramic glass periodically. Condensation will sometimes form on the glass during a cold startup. This is normal for all gas fireplaces and stoves. This condensation often attracts dust and lint to the surface of the glass. The initial paint curing of the appliance can also leave a slight film on the glass. This is a temporary problem.

Your should clean the glass after the first two weeks of use. After that, you should clean the glass no more than two or three times a season. Use a mild glass cleaner to clean the door. Do not use abrasive cleaners. They will damage the glass surface.

PILOT AND BURNER FLAMES

Visually check pilot and burner flames periodically. Refer to Figure 49 for typical pilot flame. Refer to Figure 50 for typical burner flame.

FIREBOX CLEANING

1. Carefully remove log set, and embers from combustion chamber.
2. Vacuum burner compartment thoroughly.
3. Vacuum any dust off logs.
4. Remove any lint from main burner and pilot.
5. Carefully replace log set and rock wool in their correct positions. *Page 26*
6. Replace door.
7. Relight pilot. *Page 30*
8. Turn on main burner.

CAUTION

Allow glass to cool before cleaning. Do not clean glass when it is hot. Damage could occur.

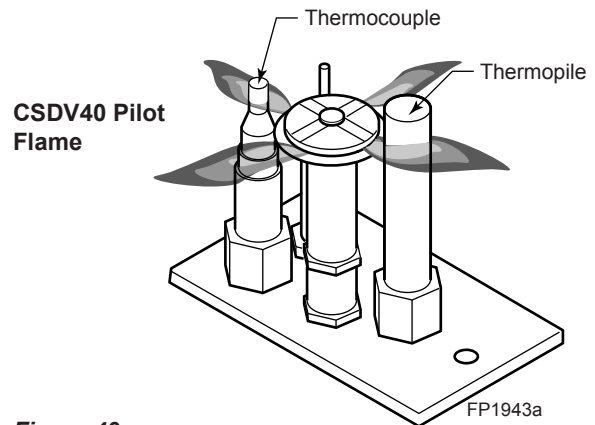
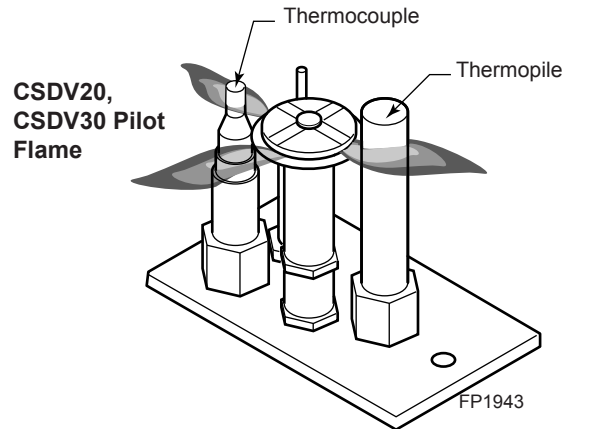


Figure 49 - Pilot Flame Appearance

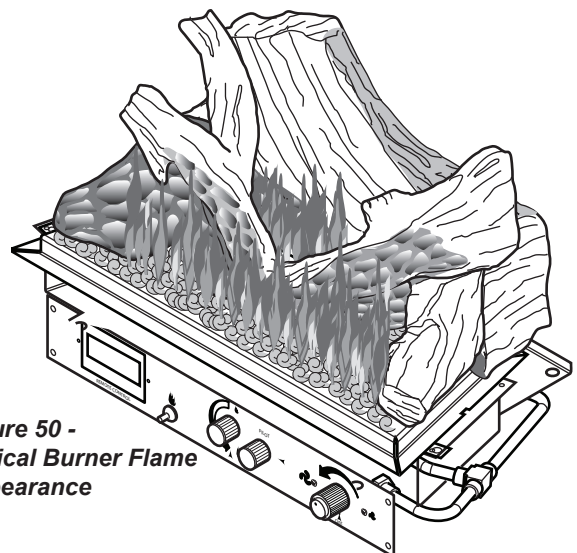


Figure 50 - Typical Burner Flame Appearance

WARNING

Make sure clearances to combustibles allow enough room for maintenance and service.

WARNING

Carefully reassemble and reseal stove properly after any cleaning or servicing.

CAUTION

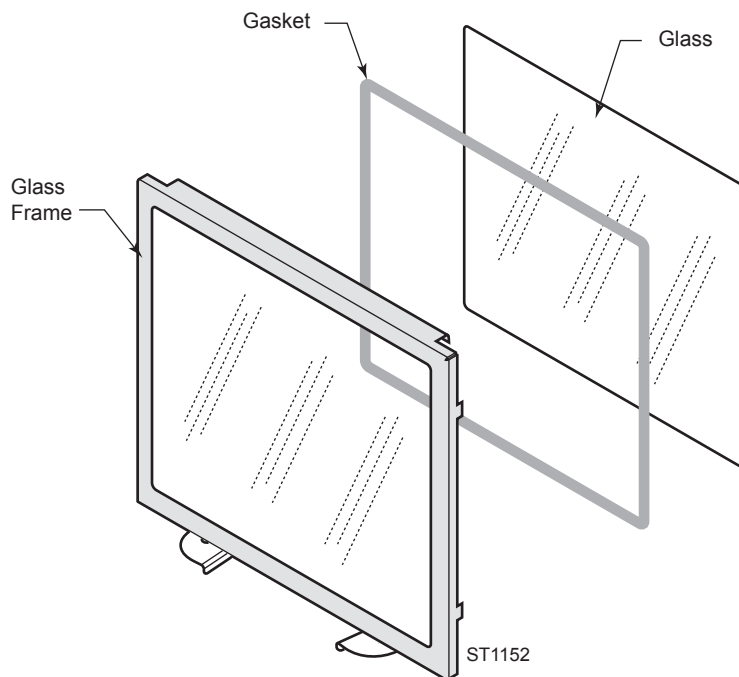
Always use gloves when handling broken glass.

WARNING

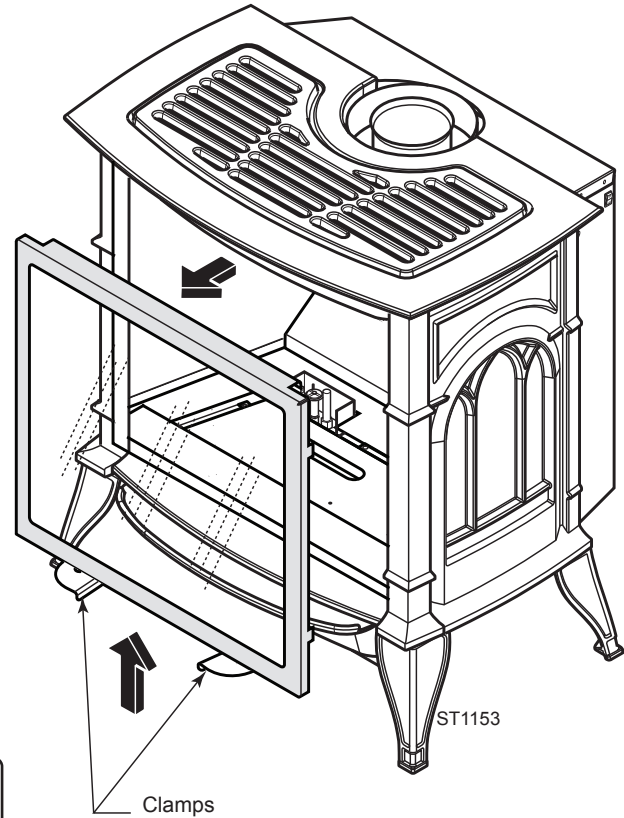
Make sure the glass panel edges do not touch any metal parts during thermal expansion.

1. Put on gloves.
2. Remove door from stove. *Page 10*
3. Remove glass from stove by releasing two clamps on bottom of stove. Lift glass frame up and off the unit. *Figure 51*
4. Carefully remove broken glass.
5. Wrap new glass pane with tadpole gasket. Make sure you have 1/4" overlap on each side.
6. Place new glass in frame.
7. Slide glass frame back down onto stove and fasten two clamps. *Figure 52*

NOTE: Use only original MHSC replacement parts.



**Figure 52 -
Glass Replacement**



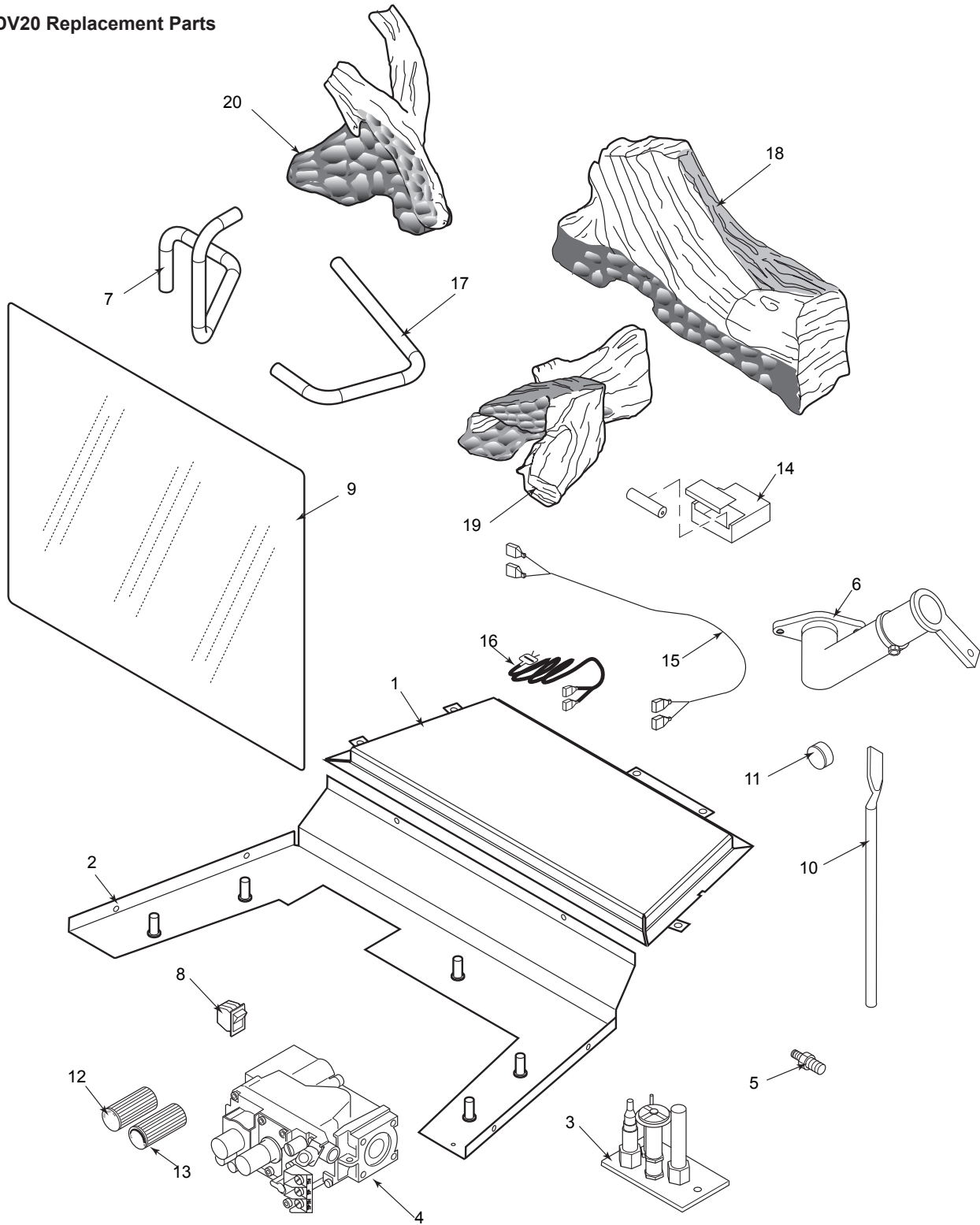
**Figure 51 -
Remove Glass Frame**

WARNING Turn appliance OFF and allow to cool before servicing. Only a qualified service person should service and repair the heater.

NOTE: All troubleshooting items are listed in order of operation.

OBSERVED PROBLEM	POSSIBLE CAUSE	REMEDY
Spark ignitor will not light the pilot after repeated pressing of spark ignitor.	<ol style="list-style-type: none"> 1. Battery needs replacing 2. Defective ignitor 3. Misaligned spark electrode 	<ol style="list-style-type: none"> 1. Replace battery 2. Check connections to ignitor. Replace ignitor if ignitor connections are good, but there is no spark. 3. Check for spark arcing from the electrode to pilot. Adjust by loosening screws on pilot base. Adjust and retighten.
Pilot will not stay lit.	<ol style="list-style-type: none"> 1. Defective thermocouple. Loose thermocouple. 2. Air in gas line 3. No gas 	<ol style="list-style-type: none"> 1. Check for proper connection of thermocouple to rear of valve. 2. Bleed line. Contact dealer. 3. Check shutoff valve and gas supply (LPG tank)
Burner will not light when valve and burner switch are both on.	<ol style="list-style-type: none"> 1. Defective switch 2. Defective thermopile 3. Thermostat set too low/defective 	<ol style="list-style-type: none"> 1. Check switch connections. Jump wires at switch 2. Check connections to valve. Contact dealer. 3. Turn up thermostat to start unit. check thermostat connections.
Glass fogs up	<ol style="list-style-type: none"> 1. Normal condition 	<ol style="list-style-type: none"> 1. Allow appliance to warm up. Glass will clear. Additives in the gas may dirty glass. Clean glass when cool.
Blue flames	<ol style="list-style-type: none"> 1. Normal during start up 	<ol style="list-style-type: none"> 1. Flames will yellow as appliance heats up.
Sooting	<ol style="list-style-type: none"> 1. Flame impingement 	<ol style="list-style-type: none"> 1. Check log position. Open shutters to increase primary air.

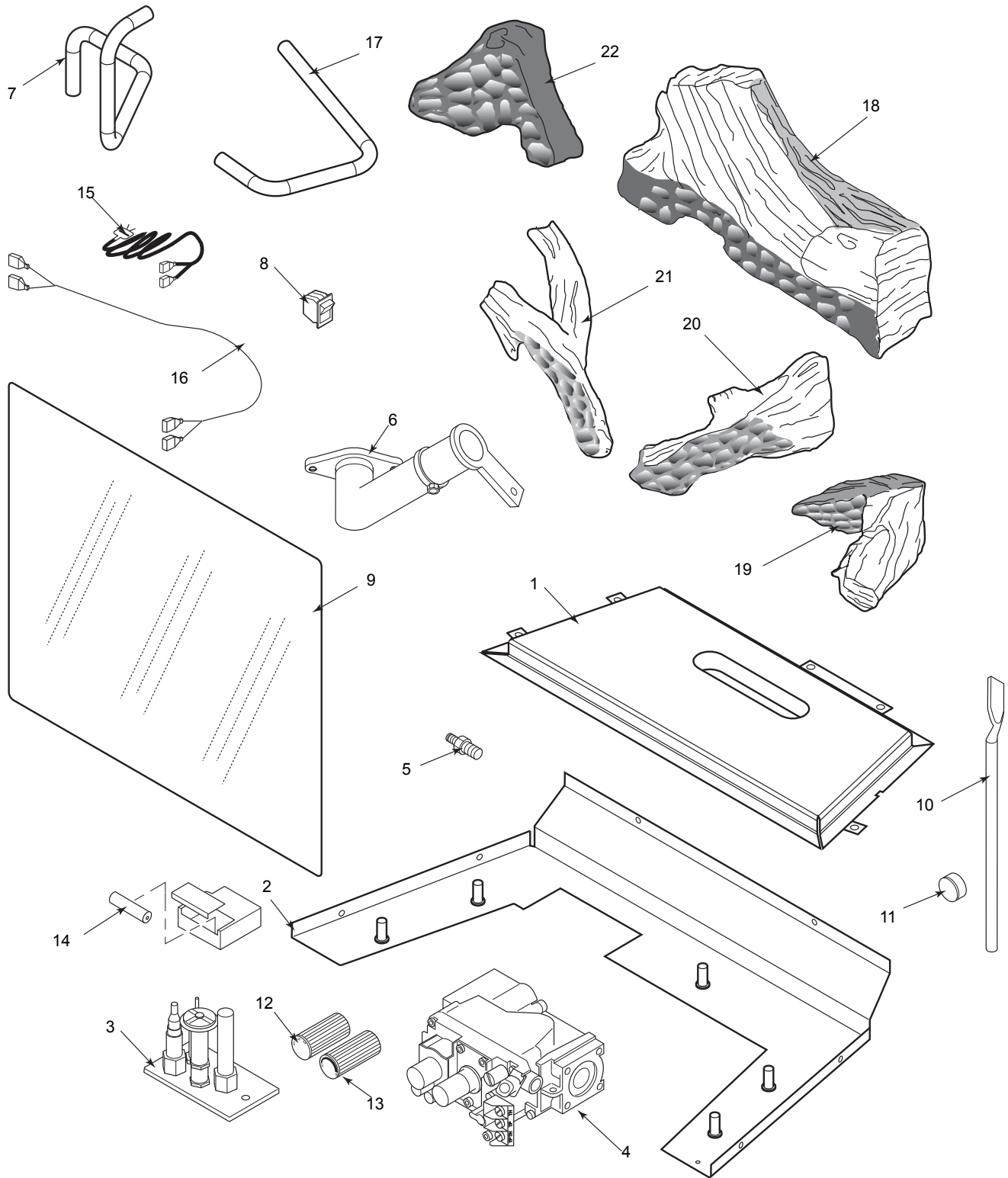
CSDV20 Replacement Parts



Ref.	Description	Qty.	CSDV20NV	CSDV20PV
1.	Burner Assembly	1	58D0250	58D0250
2.	Log Support Bracket	1	58D0210	58D0210
3.	Pilot Assembly	1	37D0018	37D0019
4.	SIT 820 Nova Valve	1	37D0117	37D0118
5.	Injector	1	62D3006	20H3146
6.	Venturi	1	45D0600	45D0600
7.	Valve Tube	1	58D0163	58D0163
8.	ON/OFF Rocker Switch	1	41D0048	41D0048
9.	Ceramic Glass	1	58D0207	58D0207
10.	Air Shutter Rod	1	58D0048	58D0048
11.	Air Shutter Knob	1	45D0237	45D0237
12.	Knob Extension Hi/Lo	1	43D0095	43D0095
13.	Knob Extension ON/OFF	1	43D0094	43D0094
14.	Ignitor Battery Module	1	45D0077	45D0077
15.	Ignitor Wire Harness	1	45D0500	45D0500
16.	ON/OFF Wire Harness	1	45D0501	45D0501
17.	Burner Tube	1	58D0271	58D0271
18.	Rear Logs	1	58D1931	58D1931
19.	Right Bottom Logs	1	58D1933	58D1933
20.	Left Bottom Log	1	58D1932	58D1932
21.	Vertical Restrictor (not shown)	1	45D0551	45D0551
22.	Engine Gasket Set (not shown)	1	58D0256	58D0256
23.	Front Grate (not shown)	1	58D0269	58D0269

WARNING Failure to position the parts in accordance with these diagrams or failure to use only parts specifically approved with this appliance may result in property damage or personal injury.

CSDV30 Replacement Parts



REPLACEMENT PARTS*CSDV Series Direct Vent Gas Stove*

Ref.	Description	Qty.	CSDV30NV	CSDV30PV
1.	Burner Assembly	1	58D0150	58D0150
2.	Log Support Bracket	1	58D0024	58D0024
3.	Pilot Assembly	1	37D0018	37D0019
4.	SIT 820 Nova Valve	1	37D0117	37D0118
5.	Injector	1	58D0102	20H3144
6.	Venturi	1	45D0600	45D0600
7.	Valve Tube	1	58D0163	58D0163
8.	ON/OFF Rocker Switch	1	41D0048	41D0048
9.	Ceramic Glass	1	58D0028	58D0028
10.	Air Shutter Rod	1	58D0048	58D0048
11.	Air Shutter Knob	1	45D0237	45D0237
12.	Knob Extension Hi/Lo	1	43D0095	43D0095
13.	Knob Extension ON/OFF	1	43D0094	43D0094
14.	Ignitor Battery Module	1	45D0077	45D0077
15.	Ignitor Wire Harness	1	45D0500	45D0500
16.	ON/OFF Wire Harness	1	45D0501	45D0501
17.	Burner Tube	1	58D0164	58D0164
18.	Rear Log	1	58D1941	58D1941
19.	Right Bottom Log	1	58D1943	58D1943
20.	Right Top Log	1	58D1945	58D1945
21.	Left Top Log	1	58D1944	58D1944
22.	Left Bottom Log	1	58D1942	58D1942
23.	Vertical Restrictor (not shown)	1	45D0551	45D0551
24.	Engine Gasket Set (not shown)	1	58D0194	58D0194
25.	Front Grate (not shown)	1	56D0062	56D0062

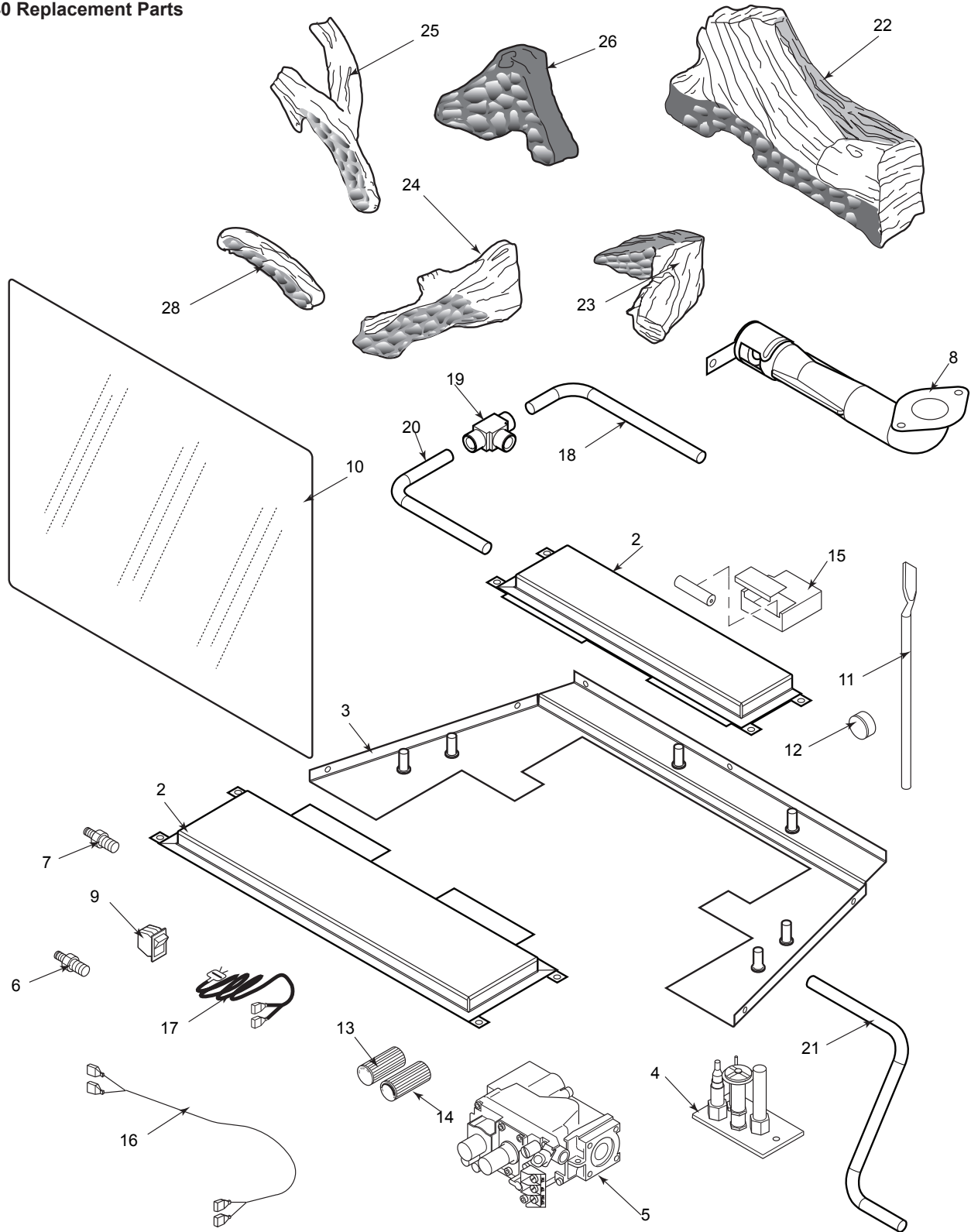
ACCESSORIES

Thermostat Blower - MODEL #BLOTCS
(available on CSDV30 and CSDV40 only)

WARNING

Failure to position the parts in accordance with these diagrams or failure to use only parts specifically approved with this appliance may result in property damage or personal injury.

CSDV40 Replacement Parts



REPLACEMENT PARTS*CSDV Series Direct Vent Gas Stove*

Ref.	Description	Qty.	CSDV40NV	CSDV40PV
1.	Burner Assembly	1	58D0368	58D0368
2.	Rear Burner Assembly	1	58D0362	58D0362
3.	Log Support Bracket	1	58D0310	58D0310
4.	Pilot Assembly	1	20H2048	20H2048
5.	SIT 820 Nova Valve	1	37D0117	37D0118
6.	Front Injector	1	20H3150	20H3151
7.	Rear Injector	1	62D3006	33D4046
8.	Venturi	1	45D0600	45D0600
9.	ON/OFF Rocker Switch	1	41D0048	41D0048
10.	Ceramic Glass	1	58D0320	58D0320
11.	Air Shutter Rod	1	58D0048	58D0048
12.	Air Shutter Knob	1	45D0237	45D0237
13.	Knob Extension Hi/Lo	1	43D0095	43D0095
14.	Knob Extension ON/OFF	1	43D0094	43D0094
15.	Ignitor Battery Module	1	45D0077	45D0077
16.	Ignitor Wire Harness	1	45D0500	45D0500
17.	ON/OFF Wire Harness	1	45D0501	45D0501
18.	Rear Burner Tube	1	58D0366	58D0366
19.	5/16 Brass Tee	1	43D0181	43D0181
20.	Front Burner Tube	1	58D0364	58D0364
21.	Valve Tube	1	58D0365	58D0365
22.	Rear Log	1	58D1921	58D1921
23.	Right Bottom Log	1	58D1923	58D1923
24.	Right Top Log	1	58D1925	58D1925
25.	Left Top Log	1	58D1924	58D1924
26.	Left Bottom Log	1	58D1922	58D1922
27.	Top Mid Log	1	58D1926	58D1926
28.	Vertical Restrictor (not shown)	1	45D0551	45D0551
29.	Engine Gasket Set (not shown)	1	58D0194	58D0194
30.	Front Grate (not shown)	1	58D0369	58D0369

ACCESSORIES

Thermostat Blower - MODEL #BLOTCS
 (available on CSDV30 and CSDV40 only)

WARNING

Failure to position the parts in accordance with these diagrams or failure to use only parts specifically approved with this appliance may result in property damage or personal injury.

Massachusetts Residents Only — Please read and follow these special requirements

NOTE REGARDING VENTED PRODUCTS

This product must be installed by a licensed plumber or gas fitter when installed within the Commonwealth of Massachusetts.

Any residence with a direct vent product must have a CO detector installed in the residence.

Installation of the fireplace or vented gas log in the State of Massachusetts requires the damper to be permanently removed or welded in the fully open position.

In addition, a naturally vented gas log may not be installed in a bedroom or bathroom in the State of Massachusetts.

Flex line installation must not exceed 36 inches and must have a T shutoff valve.

NOTE REGARDING VENT FREE PRODUCTS

This product must be installed by a licensed plumber or gas fitter when installed within the Commonwealth of Massachusetts.

In addition, vent free products may not be installed in a bedroom or bathroom regardless of size or type in the State of Massachusetts.

Flex line installation must not exceed 36 inches and must have a T shutoff valve.

CARBON MONOXIDE DETECTOR REQUIREMENTS

(2) Revise 10.8.3 by adding the following additional requirements:

(a) For all side wall horizontally vented gas fueled equipment installed in every dwelling, building or structure used in whole or in part for residential purposes, including those owned or operated by the Commonwealth and where the side wall exhaust vent termination is less than seven (7) feet above finished grade in the area of the venting, including but not limited to decks and porches, the following requirements shall be satisfied:

1. **Installation of carbon monoxide detectors.** At the time of installation of the side wall horizontal vented gas fueled equipment, the installing plumber or gas fitter shall observe that a hard wired carbon monoxide detector with an alarm and battery back-up is installed on the floor level where the gas equipment is to be installed. In addition, the installing plumber or gas fitter shall observe that a battery operated or hard wired carbon monoxide detector with an alarm is installed on each additional level of the dwelling, building or structure served by the side wall horizontal vented gas fueled equipment. It shall be the responsibility of the property owner to secure the services of qualified licensed professionals for the installation of hard wired carbon monoxide detectors

a. In the event that the side wall horizontally vented gas fueled equipment is installed in a crawl space or an attic, the hard wired carbon monoxide detector with alarm and battery back-up may be installed on the next adjacent floor level.

b. In the event that the requirements of this subdivision can not be met at the time of completion of installation, the owner shall have a period of thirty (30) days to comply with the above requirements; provided, however, that during said thirty (30) day period, a battery operated carbon monoxide detector with an alarm shall be installed.

2. **Approved Carbon Monoxide Detectors.** Each carbon monoxide detector as required in accordance with the above provisions shall comply with NFPA 720 and be ANSI/UL 2034 listed and IAS certified.

3. **Signage.** A metal or plastic identification plate shall be permanently mounted to the exterior of the building at a minimum height of eight (8) feet above grade directly in line with the exhaust vent terminal for the horizontally vented gas fueled heating appliance or equipment. The sign shall read, in print size no less than one-half (1/2) inch in size, "GAS VENT DIRECTLY BELOW. KEEP CLEAR OF ALL OBSTRUCTIONS."

4. **Inspection.** The state or local gas inspector of the side wall horizontally vented gas fueled equipment shall not approve the installation unless, upon inspection, the inspector observes carbon monoxide detectors and signage installed in accordance with the provisions of 248 CMR 5.08(2)(a)1 through 4.

(b) **Exemptions:** The following equipment is exempt from 248 CMR 5.08(2)(a)1 through 4:

1. The equipment listed in Chapter 10 entitled "Equipment Not Required To Be Vented" in the most current edition of NFPA 54 as adopted by the Board; and

2. Product Approved side wall horizontally vented gas fueled equipment installed in a room or structure separate from the dwelling, building or structure used in whole or in part for residential purposes.

(c) **Manufacturer requirements — Gas Equipment Venting System Provided.** When the manufacturer of Product Approved side wall horizontally vented gas equipment provides a venting system design or venting system components with the equipment, the instructions provided by the manufacturer for installation of the equipment and the venting system shall include:

1. Detailed instructions for the installation of the venting system design or the venting system components; and

2. A complete parts list for the venting system design or venting system.

(d) **Manufacturer requirements — Gas Equipment Venting System Not Provided.** When the manufacturer of a Product Approved side wall horizontally vented gas fueled equipment does not provide the parts for venting the flue gases, but identifies "special venting systems," the following requirements shall be satisfied by the manufacturer:

1. The referenced "special venting system" instructions shall be included with the appliance or equipment installation instructions; and

2. The "special venting systems" shall be Product Approved by the Board, and the instructions for that system shall include a parts list and detailed installation instructions.

(e) A copy of all installation instructions for all Product Approved side wall horizontally vented gas fueled equipment, all venting instructions, all parts lists for venting instructions, and/or all venting design

LIMITED LIFETIME WARRANTY POLICY

MHSC warrants its products to be free of defects in material and workmanship and backs each product with a Limited Lifetime Warranty. This warranty is to the original purchaser of a MHSC product and is not transferable.

LIFETIME WARRANTY

Covered under this warranty are the stove body, combustion chamber, door frame, gold plating (manufacturing defects only), glass (thermal breakage only), heat exchange system, and burner. This coverage includes parts and reasonable labor during the first five years of ownership and parts only thereafter.

FIVE YEAR WARRANTY

Ceramic fiber logs, firebrick panels and secondary air tubes are covered for a period of five years from the date of purchase.

TWO YEAR WARRANTY

Gas valves, pilot assemblies, thermopiles, thermocouples, regulators, electrical components, cast iron grates and blowers are covered for a period of two years from the date of purchase.

EXCLUSIONS

Items that are not covered under this warranty include but are not limited to damage or chipping to any component surfaces, gasketing, refractory material, or trim. It does not cover installation or operational problems related to venting systems, inadequate draft, inadequate gas pressure, adjustments to the appliance, the cost of inspection, components which have been altered or modified, labor costs, removal and re-installation costs, shipping to or from the factory or authorized service center, shipping damage, damage from improper use or neglect, installation damage, damage from unauthorized service, incidental or consequential damage or negative pressure caused by mechanical systems such as furnaces, fans, clothes dryers etc.

TERMS

This warranty shall be void if the appliance is not installed by qualified installer in accordance with the installation instructions provided with the appliance and state and local codes. The warranty shall also be void if the appliance is not operated and maintained in accordance with the operating instructions supplied with the appliance. All service work must be performed by an authorized service representative. Any part or parts, which we deem defective, will be repaired or replaced at MHSC's option, through an authorized dealer or service provider.

This warranty is expressly in lieu of other warranties, express or implied, including the warranty of merchantability of fitness for purpose and of all other obligations or liabilities. MHSC does not assume for it any other obligations or liability in connection with the sale or use of the appliance. In states that do not allow limitations on how long an implied warranty lasts, or do not allow exclusion of indirect damages, those limitations of exclusions may not apply to you. You may also have additional rights not covered in this Limited Warranty.

MHSC reserves the right to investigate any and all claims against the Limited Warranty and decide upon the method of settlement.

IF WARRANTY SERVICE IS NEEDED...

1. Contact your supplier. Make sure you have your warranty, your sales receipt and the model/serial number of your MHSC product.
2. DO NOT ATTEMPT TO DO ANY SERVICE WORK YOURSELF.

MHSC

149 Cleveland Drive • Paris, Kentucky 40361
www.mhsc.com