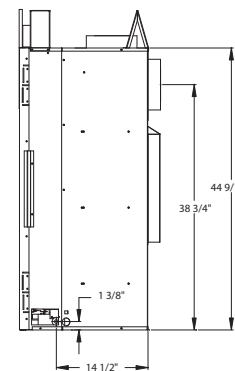
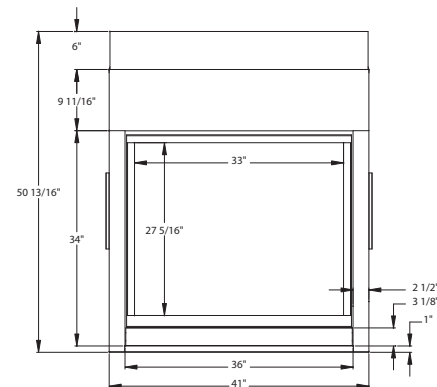
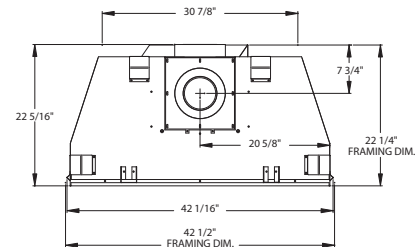
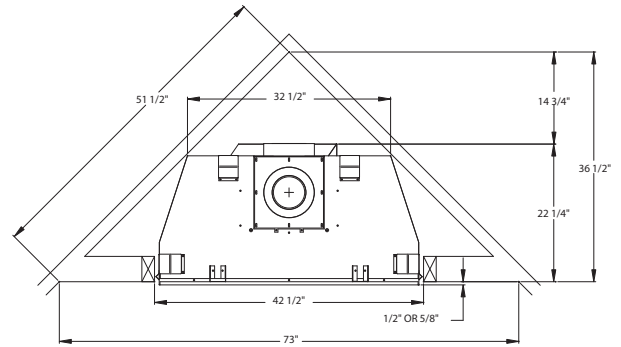


PRODUCT SPECIFICATIONS
MLDV500 Onyx Direct Vent System



GLASS VIEWING AREA

33"W x 27-1/3"H (902 Square Inches)

TECHNICAL INFORMATION

Max. Btu Input: 34,000 BTU/HR

Ignition System: Signature Command™ System

Gas Type: Natural or LP

Flue Type: Simpson Dura-Vent, Selkirk Metalbestos, MetalFab

Termination: Rear/Top Vent Convertible

Clearance to Flue for Interior: 3" Top, 1" Bottom and Sides**

Clearance to Flue for Outside Wall: 1"

Clearance to Fireplace: 2" Back, 1/2" Sides

CSA Design Certified

FIELD INSTALLED ACCESSORIES

Firebrick: Tavern Brown, Olde English Herringbone or Cottage Red

Variable Thermostat Controlled Dual Forced Air Blower (160 cfm) - BLOTBLDV

Signature Command System Dual Forced Air Blower (160 cfm) - BLOTBLDVSC

Mesh Glass Cover

Andirons

Field Conversion Kits

Ambient Technologies™ Remote Controls and Thermostats

** If vertical rise is 7-1/2 feet or higher when in top vent configuration only, the vent clearance to combustibles is 1" on all sides of the horizontal run.



A Brand of Monessen Hearth Systems Co.
 149 Cleveland Drive, Paris, Kentucky 40361
www.majesticproducts.com



To avoid personal injury or property damage, the product described by this brochure must be installed, operated and maintained in strict compliance with the instructions packaged with the product and all applicable building or fire codes. Contact local building or fire officials about restrictions and installation inspection requirements. All photographs and drawings on this brochure are for illustrative purposes only and are not intended for, nor should they be used as a substitute for the instructions packaged with the unit. Appearance and specifications of the product are subject to change without notice. 04/09