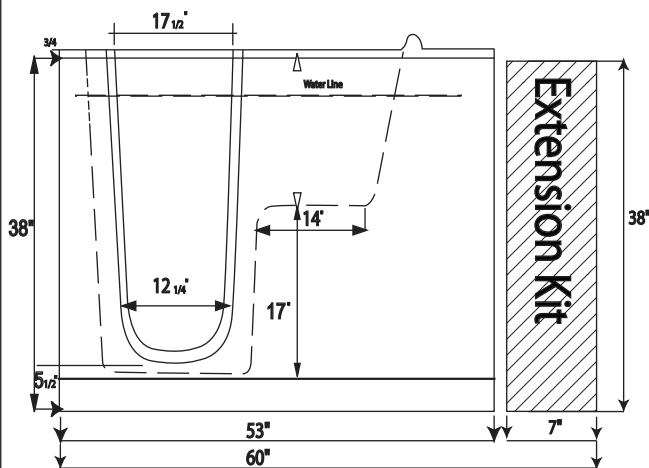
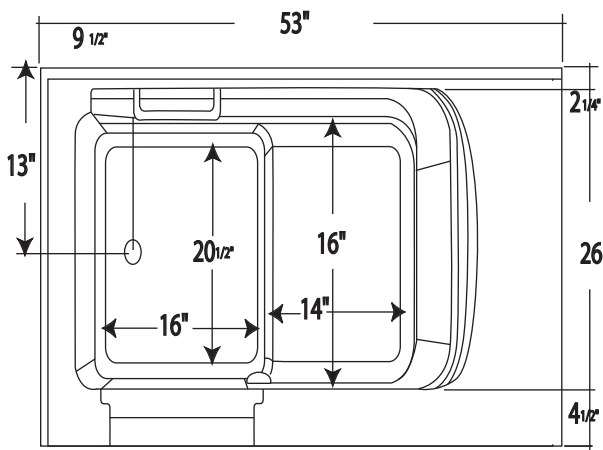




MediTub

Where Safety Meets Luxury



UNLESS OTHERWISE SPECIFIED:
 DIMENSIONS ARE IN INCHES
 TOLERANCES:
 FRACTIONAL: $\pm 1/8"$
 ANGULAR: $\pm 1/2"$
 TWO PLACE DECIMAL: $xx = \pm 0.10$
 THREE PLACE DECIMAL: $xxx = \pm 0.005$

TITLE: WALK IN BATH TUB

2653

CAPACITY/OPERATING LEVEL:	45 GAL	DATE	05/06/09	DWG. NO.	1	REV	B
APROX. UNIT WEIGHT:	175 Lbs	DRAWN	OG				
APROX. SHIPPING WEIGHT:	241 Lbs	CHECKED	JH	SCALE: 1:1	SHEET 1 OF 1		

SKU VARIATIONS

MT2653LWS
-Left, White, Soaker

MT2653RWS
-Right, White, Soaker

MT2653LBS
-Left, Biscuit, Soaker

MT2653RBS
-Right, Biscuit, Soaker

MT2653LWH
-Left, White, Hydro Therapy

MT2653RWH
-Right, White, Hydro Therapy

MT2653LBH
-Left, Biscuit, Hydro Therapy

MT2653RBH
-Right, Biscuit, Hydro Therapy

MT2653LWA
-Left, White, Air Bubble Massage

MT2653RWA
-Right, White, Air Bubble Massage

MT2653LBA
-Left, Biscuit, Air Bubble Massage

MT2653RBA
-Right, Biscuit, Air Bubble Massage

MT2653LWD
-Left, White, Dual Hydro & Air

MT2653RWD
-Right, White, Dual Hydro & Air

MT2653LBD
-Left, Biscuit, Dual Hydro & Air

MT2653RBD
-Right, Biscuit, Dual Hydro & Air

- Phone: (866) 633-4882
- Fax: (866) 560-1060