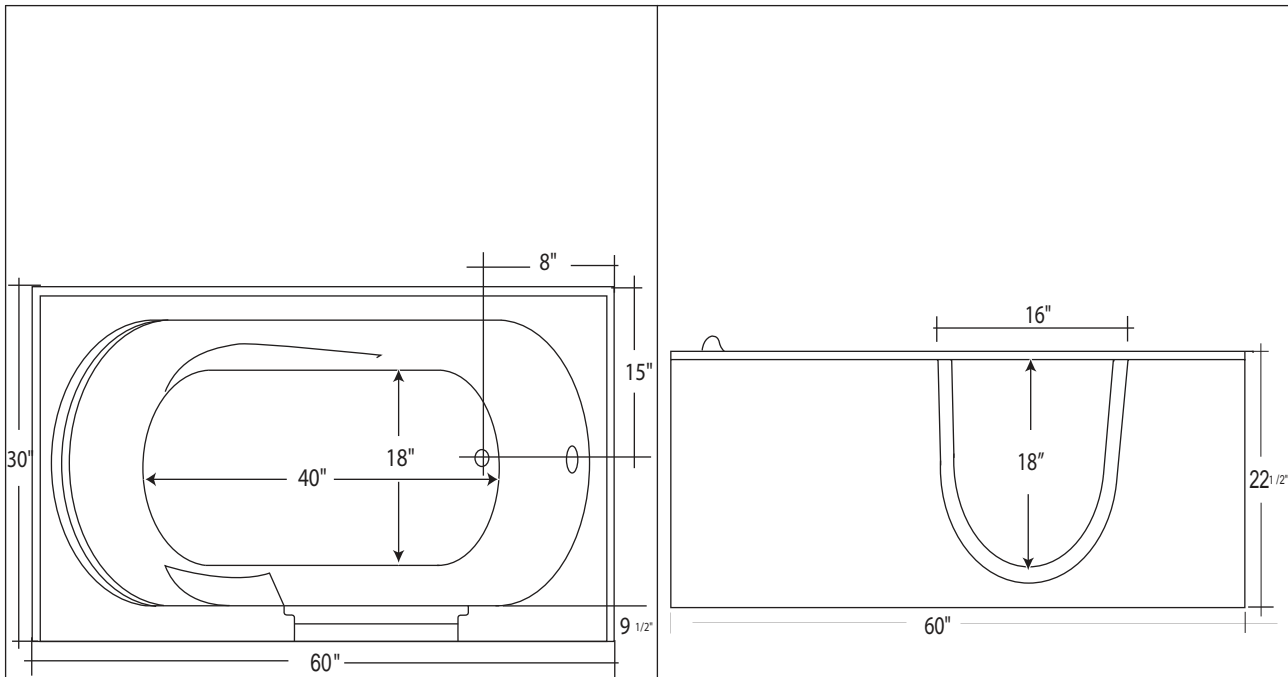




# MediTub

Where Safety Meets Luxury



SKU VARIATIONS
<b>MTS13060LWS</b> -Left, White, Soaker
<b>MTS13060RWS</b> -Right, White, Soaker
<b>MTS13060LWH</b> -Left, White, Hydro Therapy
<b>MTS13060RWH</b> -Right, White, Hydro Therapy
<b>MTS13060LWA</b> -Left, White, Air Bubble Massage
<b>MTS13060RWA</b> -Right, White, Air Bubble Massage

UNLESS OTHERWISE SPECIFIED:  
 DIMENSIONS ARE IN INCHES  
 TOLERANCES:  
 FRACTIONAL: +/- 1/8"  
 ANGULAR: +/- 1/2"  
 TWO PLACE DECIMAL: xx = +/- 010  
 THREE PLACE DECIMAL: xxx = +/- 005

TITLE: STEP IN TUB

S13060

CAPACITY/OPERATING LEVEL:	40 GAL	DATE	05/06/09	DWG. NO.	1	REV	B
APROX. UNIT WEIGHT:	175 Lbs	DRAWN	OG				
APROX. SHIPPING WEIGHT:	254 Lbs	CHECKED	LG	SCALE: 1:1		SHEET 1 OF 1	

- Phone: (866) 633-4882
- Fax: (866) 560-1060