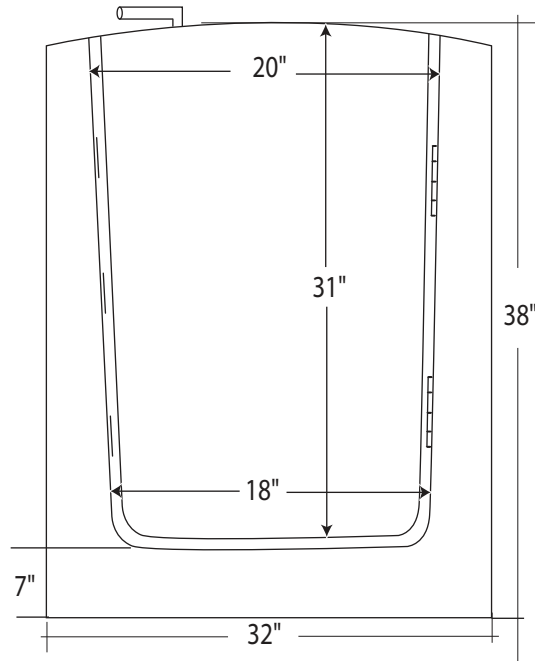
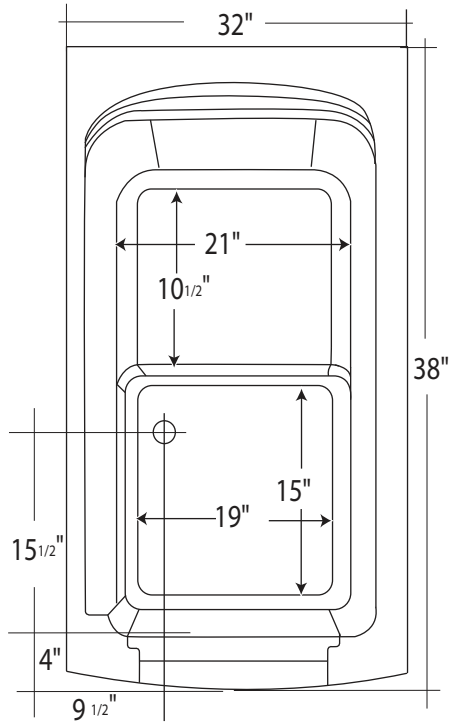




MediTub

Where Safety Meets Luxury



UNLESS OTHERWISE SPECIFIED:
 DIMENSIONS ARE IN INCHES
 TOLERANCES:
 FRACTIONAL: +/- 1/8"
 ANGULAR: +/- 1/2"
 TWO PLACE DECIMAL: xx = +/- 010
 THREE PLACE DECIMAL: xxx = +/- 005

TITLE: WALK IN BATH TUB

3238

SKU VARIATIONS

MT3238RWS

-Right, White, Soaker

MT3238LWS

-Left, White, Soaker

MT3238RWH

-Right, White, Hydro Therapy

MT3238LWH

-Left, White, Hydro Therapy

MT3238RWA

-Right, White, Air Bubble Massage

MT3238LWA

-Left, White, Air Bubble Massage

MT3238RWD

-Right, White, Dual Hydro & Air

MT3238LWD

-Left, White, Dual Hydro & Air

CAPACITY/OPERATING LEVEL:	45 GAL	DATE	05/06/09	DWG. NO.	1	REV	D
APROX. UNIT WEIGHT:	175 Lbs	DRAWN	OG	SCALE: 1:1	SHEET 1 OF 1		
APROX. SHIPPING WEIGHT:	236 Lbs	CHECKED	JH				

• Phone: (866) 633-4882
 • Fax: (866) 560-1060