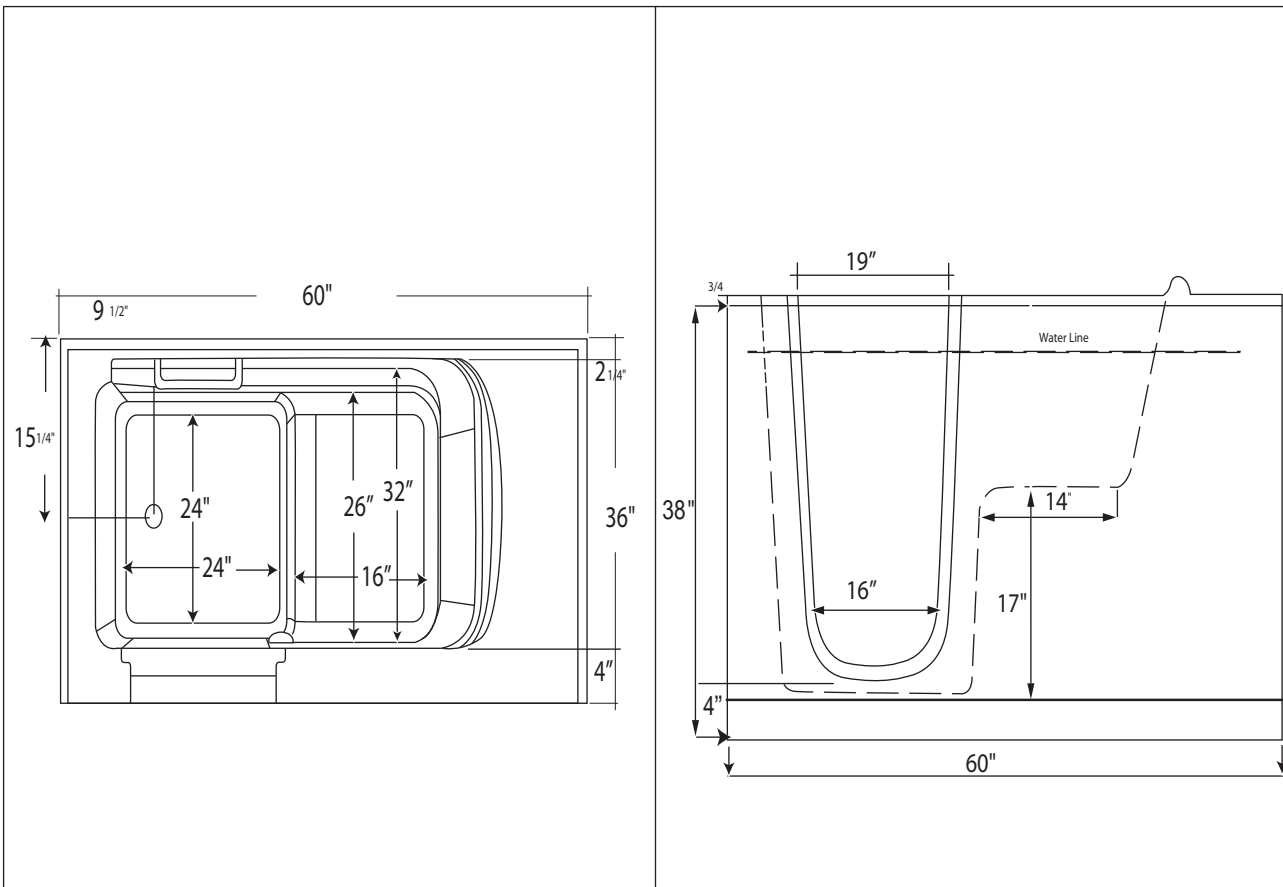




MediTub

Where Safety Meets Luxury



UNLESS OTHERWISE SPECIFIED:
 DIMENSIONS ARE IN INCHES
 TOLERANCES:
 FRACTIONAL: +/- 1/8"
 ANGULAR: +/- 1/2"
 TWO PLACE DECIMAL: xx = +/- 010
 THREE PLACE DECIMAL: xxx = +/- 005

TITLE: WALK IN BATH TUB

3660

SKU VARIATIONS
MT3660LWS -Left, White, Soaker
MT3660RWS -Right, White, Soaker
MT3660LWH -Left, White, Hydro Therapy
MT3660RWH -Right, White, Hydro Therapy
MT3660RWA -Right, White, Hydro Therapy
MT3660LWA -Left, White, Air Bubble Massage
MT3660RWD -Right, White, Dual Hydro and Air Systems
MT3660LWD -Left, White, Dual Hydro and Air Systems

CAPACITY/OPERATING LEVEL:	75 GAL	DATE	05/06/09	DWG. NO.	1	REV B
	APPROX. UNIT WEIGHT:	290Lbs	DRAWN			
	APPROX. SHIPPING WEIGHT:	350 Lbs	CHECKED	LG	SCALE: 1:1	SHEET 1 OF 1

- Phone: (866) 633-4882
- Fax: (866) 560-1060