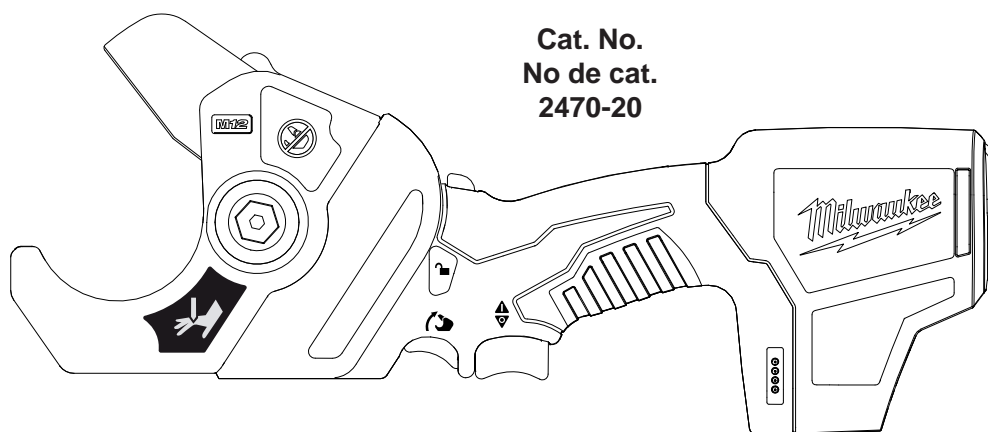




OPERATOR'S MANUAL
MANUEL de L'UTILISATEUR
MANUAL del OPERADOR



M12 CORDLESS PVC SHEAR
CISAILLE À PVC SANS FIL M12
CIZALLA INALÁMBRICA PARA PVC M12

TO REDUCE THE RISK OF INJURY, USER MUST READ AND UNDERSTAND OPERATOR'S MANUAL.

AFIN DE RÉDUIRE LE RISQUE DE BLESSURES, L'UTILISATEUR DOIT LIRE ET BIEN COMPRENDRE LE MANUEL DE L'UTILISATEUR.

PARA REDUCIR EL RIESGO DE LESIONES, EL USUARIO DEBE LEER Y ENTENDER EL MANUAL DEL OPERADOR.

GENERAL POWER TOOL SAFETY WARNINGS

WARNING READ ALL SAFETY WARNINGS AND INSTRUCTIONS.

Failure to follow the warnings and instructions may result in electric shock, fire and/or serious injury. **Save all warnings and instructions for future reference**

The term "power tool" in the warnings refers to your mains-operated (corded) power tool or battery-operated (cordless) power tool.

WORK AREA SAFETY

- **Keep work area clean and well lit.** Cluttered or dark areas invite accidents.
- **Do not operate power tools in explosive atmospheres, such as in the presence of flammable liquids, gases or dust.** Power tools create sparks which may ignite the dust or fumes.
- **Keep children and bystanders away while operating a power tool.** Distractions can cause you to lose control.

ELECTRICAL SAFETY

- **Power tool plugs must match the outlet. Never modify the plug in any way. Do not use any adapter plugs with earthed (grounded) power tools.** Unmodified plugs and matching outlets will reduce risk of electric shock.
- **Avoid body contact with earthed or grounded surfaces such as pipes, radiators, ranges and refrigerators.** There is an increased risk of electric shock if your body is earthed or grounded.
- **Do not expose power tools to rain or wet conditions.** Water entering a power tool will increase the risk of electric shock.
- **Do not abuse the cord. Never use the cord for carrying, pulling or unplugging the power tool. Keep cord away from heat, oil, sharp edges or moving parts.** Damaged or entangled cords increase the risk of electric shock.
- **When operating a power tool outdoors, use an extension cord suitable for outdoor use.** Use of a cord suitable for outdoor use reduces the risk of electric shock.
- **If operating a power tool in a damp location is unavoidable, use a residual current device (RCD) protected supply.** Use of an RCD reduces the risk of electric shock.

PERSONAL SAFETY

- **Stay alert, watch what you are doing and use common sense when operating a power tool. Do not use a power tool while you are tired or under the influence of drugs, alcohol or medication.** A moment of inattention while operating power tools may result in serious personal injury.
- **Use personal protective equipment. Always wear eye protection.** Protective equipment such as dust mask, non-skid safety shoes, hard hat, or hearing protection used for appropriate conditions will reduce personal injuries.

- **Prevent unintentional starting. Ensure the switch is in the off-position before connecting to power source and/or battery pack, picking up or carrying the tool.** Carrying power tools with your finger on the switch or energising power tools that have the switch on invites accidents.
- **Remove any adjusting key or wrench before turning the power tool on.** A wrench or a key left attached to a rotating part of the power tool may result in personal injury.
- **Do not overreach. Keep proper footing and balance at all times.** This enables better control of the power tool in unexpected situations.
- **Dress properly. Do not wear loose clothing or jewellery. Keep your hair, clothing and gloves away from moving parts.** Loose clothes, jewellery or long hair can be caught in moving parts.
- **If devices are provided for the connection of dust extraction and collection facilities, ensure these are connected and properly used.** Use of dust collection can reduce dust-related hazards.

POWER TOOL USE AND CARE

- **Do not force the power tool. Use the correct power tool for your application.** The correct power tool will do the job better and safer at the rate for which it was designed.
- **Do not use the power tool if the switch does not turn it on and off.** Any power tool that cannot be controlled with the switch is dangerous and must be repaired.
- **Disconnect the plug from the power source and/or the battery pack from the power tool before making any adjustments, changing accessories, or storing power tools.** Such preventive safety measures reduce the risk of starting the power tool accidentally.
- **Store idle power tools out of the reach of children and do not allow persons unfamiliar with the power tool or these instructions to operate the power tool.** Power tools are dangerous in the hands of untrained users.
- **Maintain power tools. Check for misalignment or binding of moving parts, breakage of parts and any other condition that may affect the power tool's operation. If damaged, have the power tool repaired before use.** Many accidents are caused by poorly maintained power tools.

- **Keep cutting tools sharp and clean.** Properly maintained cutting tools with sharp cutting edges are less likely to bind and are easier to control.
- **Use the power tool, accessories and tool bits etc., in accordance with these instructions, taking into account the working conditions and the work to be performed.** Use of the power tool for operations different from those intended could result in a hazardous situation.

BATTERY TOOL USE AND CARE

- **Recharge only with the charger specified by the manufacturer.** A charger that is suitable for one type of battery pack may create a risk of fire when used with another battery pack.
- **Use power tools only with specifically designated battery packs.** Use of any other battery packs may create a risk of injury and fire.
- **When battery pack is not in use, keep it away from other metal objects like paper clips, coins, keys, nails, screws, or other small metal objects that can make a connection from one terminal to another.** Shorting the battery terminals together may cause burns or a fire.
- **Under abusive conditions, liquid may be ejected from the battery, avoid contact. If contact accidentally occurs, flush with water. If liquid contacts eyes, additionally seek medical help.** Liquid ejected from the battery may cause irritation or burns.

SERVICE

- **Have your power tool serviced by a qualified repair person using only identical replacement parts.** This will ensure that the safety of the power tool is maintained.

SPECIFIC SAFETY RULES







- **Keep hands and loose clothes away from all cutting edges and moving parts.**
- **To reduce the risk of injury, wear safety goggles or glasses with side shields. PVC pipe may crack or shatter.**
- **Blade is sharp. Keep hands away from all cutting edges and moving parts. Laceration and amputation can occur.**
- **To reduce the risk of injury, always move blade to the fully closed position before storing and any time the shear is not in use.**
- **To reduce the risk of explosion, electric shock and property damage, never cut gas lines, electrical lines, or full water lines.** Shut off water and drain lines before making a cut.
- **Maintain labels and nameplates.** These carry important information. If unreadable or missing, contact a MILWAUKEE service facility for a free replacement.
- **WARNING:** Some dust created by power sanding, sawing, grinding, drilling, and other construction

activities contains chemicals known to cause cancer, birth defects or other reproductive harm. Some examples of these chemicals are:

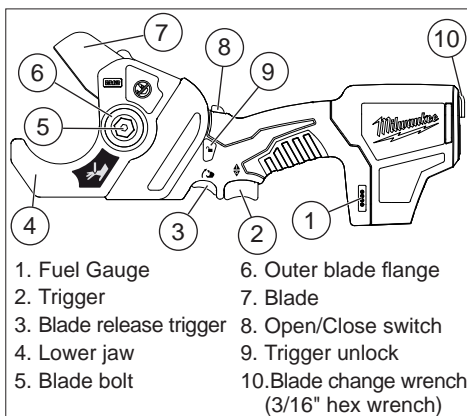
- lead from lead-based paint
- crystalline silica from bricks and cement and other masonry products, and
- arsenic and chromium from chemically-treated lumber.

Your risk from these exposures varies, depending on how often you do this type of work. To reduce your exposure to these chemicals: work in a well ventilated area, and work with approved safety equipment, such as those dust masks that are specially designed to filter out microscopic particles.

Symbology

	WARNING Keep hands away from all cutting edges and moving parts. Blade is sharp. Laceration and amputation can occur.
	WARNING Close blade when shear is not in use.
	Blade release trigger
	Direct Current
	Underwriters Laboratories, Inc. United States and Canada
	Always wear eye protection

Functional Description



Specifications

Cat. No.	Volts	Maximum Capacity
2470-20	12 DC	<ul style="list-style-type: none"> • 2" Schedule 40 PVC, CPVC • 1-1/2" Schedule 80 PVC • 2" ABS / Foam core PVC • 2" PEX

ASSEMBLY

- **WARNING** Recharge only with the charger specified for the battery. For specific charging instructions, read the operator's manual supplied with your charger and battery.

Inserting/Removing the Battery

To **remove** the battery, push in the release buttons and pull the battery pack away from the tool.

To **insert** the battery, slide the pack into the body of the tool. Make sure it latches securely into place.

Changing the Blade

Replace the blade when it becomes dull or chipped. A blade is dull when:

- During a cut, the tool makes a ratcheting sound, indicating the blade is having a hard time pushing through the material.
 - Room temperature pipe cracks during a cut
 - Blade edge appears dull, rounded, or damaged.
- Use only MILWAUKEE blade Cat. No. 48-44-0400.

- **WARNING** Always remove battery pack before changing or removing accessories. Only use accessories specifically recommended for this tool. Others may be hazardous.

- **WARNING** Blade is sharp. Keep hands away from cutting edge. Laceration can occur.

1. Close the blade. The cutting edge of the blade should be covered by the lower jaw.
2. Remove the battery pack.
3. Remove the blade bolt with the wrench provided.
4. Remove the outer blade flange.
5. Slide out the blade.
6. Insert the new blade (in the closed position).
7. Line up the bowtie hole in the blade with the holes in the inner blade flange.
8. Fit the outer flange lugs through the blade and into the inner flange holes.
9. Insert the blade screw and tighten securely with the wrench provided.

OPERATION

Fuel Gauge

Pull the trigger to display the battery pack's remaining run time.

- **WARNING** To reduce the risk of injury, always move blade to the fully closed position before storing and any time the shear is not in use.

- **WARNING** Blade is sharp. Keep hands away from all cutting edges and moving parts. Laceration and amputation can occur.

Open/Close Switch and Blade Release

Use the **open/close switch** to open or close the blade, make a cut, remove the blade from a partial cut, and release the blade from a tightly closed position.

- To **open** the blade, move the open/close switch to Open.
- To **close** the blade, move the open/close switch to Close.

Use the **blade release** to open or close the blade when the battery pack has no power or has been removed from the tool. The blade release trigger will not usually remove the blade from a partial cut or open the blade from a tight close.

- To **open** the blade, pull the blade release trigger. The blade quickly moves to the open position. If the blade over-travels in the closed position (tight close) and a ratcheting sound is heard, the blade release may not open the blade. Use the open/close switch to open the blade. When the blade is tightly closed, excessive force on the blade release trigger may damage the mechanism.
- To **close** the blade, pull and hold the blade release trigger. Press down on the blunt back edge of the blade until it is fully closed. Release the blade release trigger.

⚠ WARNING To reduce the risk of injury, do not cut short pieces of pipe that put fingers near blade and lower jaw. Blade is sharp.


⚠ WARNING To reduce the risk of injury, wear safety goggles or glasses with side shields. PVC pipe may crack or shatter.

⚠ WARNING To reduce the risk of injury, only cut recommended materials (see "Specifications"). Do not attempt to cut wires, branches, metal pipes, or other materials.

⚠ WARNING Keep hands away from all cutting edges and moving parts. Blade is sharp. Laceration and amputation can occur.



Cutting

1. Open the blade.
2. Insert the workpiece squarely between the lower jaw and the blade. Do not attempt to make angled cuts as it will damage the workpiece and blade.
3. Line up the cutting line and the blade.
4. Hold the tool firmly and support the workpiece. Ensure the workpiece is straight and centered in the jaws. Keep hand away from jaws and blade.
5. Press the trigger unlock button  and pull the trigger. Workpiece may move slightly during the cut.
6. When the cut is complete, the tool will stop. Release the trigger.

Cutting Tips

- Pipe can crack or shatter at any time. Always use caution and begin the cut slowly.
- Pipe becomes more brittle in lower temperatures, increasing the risk of cracking or shattering. Cutting pipe with this tool is not recommended below 40°F.
- Short or thin-wall pieces of pipe may shatter or collapse when cut. If you cannot hold the workpiece safely, it is too short to be cut.
- Cut slowly and further in from the end of the pipe to avoid crooked cuts.
- A single "click" when starting a cut is normal - the blade is engaging the closing mechanism.
- Do not attempt angled cuts. It will damage the blade. Hold the pipe squarely in the jaws.
- Cut clean material to extend the blade life. Wipe dirt and debris from pipe before beginning the cut.

MAINTENANCE

⚠ WARNING To reduce the risk of injury, always unplug the charger and remove the battery pack from the charger or tool before performing any maintenance. Never disassemble the tool, battery pack or charger. Contact a *MILWAUKEE* service facility for ALL repairs.

Maintaining Tool

Keep your tool, battery pack and charger in good repair by adopting a regular maintenance program. After six months to one year, depending on use, return the tool, battery pack and charger to A *MILWAUKEE* service facility for:

- Lubrication
- Mechanical inspection and cleaning (gears, spindles, bearings, housing, etc.)
- Electrical inspection (battery pack, charger, motor)
- Testing to assure proper mechanical and electrical operation

If the tool does not start or operate at full power with a fully charged battery pack, clean the contacts on the battery pack. If the tool still does not work properly, return the tool, charger and battery pack, to a *MILWAUKEE* service facility for repairs.

⚠ WARNING To reduce the risk of personal injury and damage, never immerse your tool, battery pack or charger in liquid or allow a liquid to flow inside them.

Cleaning

Clean dust and debris from charger and tool vents. Keep tool handles clean, dry and free of oil or grease. Use only mild soap and a damp cloth to clean the tool, battery pack and charger since certain cleaning agents and solvents are harmful to plastics and other insulated parts. Some of these include gasoline, turpentine, lacquer thinner, paint thinner, chlorinated cleaning solvents, ammonia and household detergents containing ammonia. Never use flammable or combustible solvents around tools.

Repairs

For repairs, return the tool, battery pack and charger to the nearest service center listed on the back cover of this operator's manual.

ACCESSORIES

⚠ WARNING Always remove battery pack before changing or removing accessories. Only use accessories specifically recommended for this tool. Others may be hazardous.

For a complete listing of accessories refer to your *MILWAUKEE* Electric Tool catalog or go online to www.milwaukeetool.com. To obtain a catalog, contact your local distributor or a service center listed on the back cover of this operator's manual.

FIVE YEAR TOOL LIMITED WARRANTY

Every *MILWAUKEE* power tool (including cordless product – tool, battery pack(s) and battery charger and Work Lights – cordless flashlights) is warranted to the original purchaser only to be free from defects in material and workmanship. Subject to certain exceptions, *MILWAUKEE* will repair or replace any part on an electric power tool which, after examination, is determined by *MILWAUKEE* to be defective in material or workmanship for a period of five (5) years* after the date of purchase. Return the electric power tool and a copy of proof of purchase to a *MILWAUKEE* factory Service Center location or *MILWAUKEE* Authorized Service Station, freight prepaid and insured. This warranty does not apply to damage that *MILWAUKEE* determines to be from repairs made or attempted by anyone other than *MILWAUKEE* authorized personnel, misuse, alterations, abuse, normal wear and tear, lack of maintenance, or accidents.

*Every *MILWAUKEE* V™-technology (V18™ & V28™) LITHIUM-ION Battery Pack and M18 XC LITHIUM-ION Battery Pack is warranted for five (5) years / 2000 charges from the date of purchase, whichever first occurs. The first 1000 charges or 2 years of the warranty, whichever first occurs, are covered through free replacement of the defective battery. This means that for the earlier of the first 1000 charges or two (2) years from the date of purchase/first charge, a replacement battery will be provided to the customer for any defective battery free of charge. Thereafter, the remaining charges up to a total of 2000 or the remainder of the five (5) year period from the date of purchase, whichever first occurs, will be covered on a pro rata basis. This means that every customer gets an additional 1000 charges or three (3) years of pro rata warranty on the V™-technology LITHIUM-ION Battery Pack and M18 XC LITHIUM-ION Battery Pack depending upon the amount of use.

*The warranty period for ALL other LITHIUM-ION Battery Packs is two (2) years from the date of purchase.

*The warranty period for M12 2-Beam Laser & M12 Power Port, Ni-CD Battery Packs, Job Site Radios, and Trade Titan™ Industrial Work Carts is one (1) year from the date of purchase.

Warranty Registration is not necessary to obtain the applicable warranty on a *MILWAUKEE* product. The manufacturing date of the product will be used to determine the warranty period if no proof of purchase is provided at the time warranty service is requested.

ACCEPTANCE OF THE EXCLUSIVE REPAIR AND REPLACEMENT REMEDIES DESCRIBED HEREIN IS A CONDITION OF THE CONTRACT FOR THE PURCHASE OF EVERY *MILWAUKEE* PRODUCT. IF YOU DO NOT AGREE TO THIS CONDITION, YOU SHOULD NOT PURCHASE THE PRODUCT. IN NO EVENT SHALL *MILWAUKEE* BE LIABLE FOR ANY INCIDENTAL, SPECIAL, CONSEQUENTIAL OR PUNITIVE DAMAGES, OR FOR ANY COSTS, ATTORNEY FEES, EXPENSES, LOSSES OR DELAYS ALLEGED TO BE AS A CONSEQUENCE OF ANY DAMAGE TO, FAILURE OF, OR DEFECT IN ANY PRODUCT INCLUDING, BUT NOT LIMITED TO, ANY CLAIMS FOR LOSS OF PROFITS. THIS WARRANTY IS EXCLUSIVE AND IN LIEU OF ALL OTHER WARRANTIES OR CONDITIONS, WRITTEN OR ORAL, EXPRESSED OR IMPLIED. WITHOUT LIMITING THE GENERALITY OF THE FOREGOING, *MILWAUKEE* DISCLAIMS ANY IMPLIED WARRANTY OF MERCHANTABILITY OR FITNESS FOR A PARTICULAR USE OR PURPOSE, AND ALL OTHER WARRANTIES.

This warranty applies to product sold in the U.S.A., Canada and Mexico only.

Please consult the 'Service Center Search' in the Parts & Service section of *MILWAUKEE*'s website www.milwaukeetool.com or call 1.800.SAWDUST (1.800.729.3878) to locate your nearest service facility for warranty and non-warranty service on a Milwaukee electric power tool.

RÈGLES DE SÉCURITÉ GÉNÉRALES RELATIVES AUX OUTILS ÉLECTRIQUES

AVERTISSEMENT LIRE TOUTES LES RÈGLES ET INSTRUCTIONS DE SÉCURITÉ. Ne pas suivre l'ensemble des règles et instructions peut entraîner une électrocution, un incendie ou des blessures graves. **Conserver les règles et les instructions à des fins de référence ultérieure.** Le terme «outil électrique» figurant dans les avertissements ci-dessous renvoie à l'outil électrique à alimentation par le réseau (à cordon) ou par batterie (sans fil).

SÉCURITÉ DU LIEU DE TRAVAIL

- **Maintenir la zone de travail propre et bien éclairée.** Les zones encombrées ou mal éclairées sont favorables aux accidents.
- **Ne pas utiliser d'outil électrique dans une atmosphère explosive, telle qu'en en présence de liquides, de gaz ou de poussières inflammables.** Les outils électriques génèrent des étincelles qui peuvent enflammer les poussières ou les fumées.
- **Tenir les enfants et les personnes non autorisées à l'écart pendant le fonctionnement d'un outil électrique.** Un manque d'attention de l'opérateur risque de lui faire perdre le contrôle de l'outil.

SÉCURITÉ ÉLECTRIQUE

- **La fiche de l'outil électrique doit correspondre à la prise d'alimentation. Ne jamais modifier la fiche d'une manière quelconque. Ne pas utiliser d'adaptateur avec les outils électriques mis à la terre (à la masse).** Des fiches non modifiées et des prises d'alimentation assorties réduisent le risque de choc électrique.
- **Éviter tout contact corporel avec des surfaces reliées à la masse ou à la terre telles que tuyaux, radiateurs, cuisinières et réfrigérateurs.** Un risque de choc électrique plus élevé existe si le corps est relié à la masse ou à la terre.
- **Ne pas exposer les outils électriques à la pluie ou à l'humidité.** Le risque de choc électrique augmente si de l'eau s'infiltré dans un outil électrique.
- **Prendre soin du cordon. Ne jamais utiliser le cordon pour transporter, tirer ou débrancher l'outil électrique. Tenir le cordon à l'écart de la chaleur, des huiles, des arêtes coupantes ou des pièces en mouvement.** Un cordon endommagé ou emmêlé présente un risque accru de choc électrique.
- **Se procurer un cordon d'alimentation approprié en cas d'utilisation d'un outil électrique à l'extérieur.** L'utilisation d'un cordon d'alimentation pour usage extérieur réduit le risque de choc électrique.
- **S'il est nécessaire d'utiliser l'outil électrique dans un endroit humide, installer un appareil à courant résiduel (RCD).** L'utilisation d'un RCD réduit le risque de décharge électrique.

SÉCURITÉ INDIVIDUELLE

- **Être sur ses gardes, être attentif et faire preuve de bon sens en utilisant un outil électrique. Ne pas utiliser un outil électrique en cas de fatigue ou sous l'influence de drogues, d'alcool ou de médicaments.** Un instant d'inattention lors de l'utilisation d'un outil électrique peut entraîner des blessures graves.
- **Porter l'équipement de protection requis. Toujours porter une protection oculaire.** Selon les conditions, porter aussi un masque anti-poussières, des bottes de sécurité antidérapantes, un casque protecteur ou une protection auditive afin de réduire les blessures.
- **Empêcher les démarrages accidentels. S'assurer que la gâchette est en position d'arrêt avant de brancher l'outil à une source de courant, d'insérer la batterie, de le ramasser ou de le transporter.** Le fait de transporter l'outil en gardant le doigt sur la gâchette ou de le brancher lorsque la gâchette est en position de marche favorise les accidents.
- **Retirer toute clé de réglage avant de mettre l'outil sous tension.** Une clé laissée attachée sur une pièce mobile de l'outil électrique peut entraîner des blessures.
- **Ne pas travailler à bout de bras. Bien garder un bon équilibre à tout instant.** Ceci permet de mieux préserver la maîtrise de l'outil électrique dans des situations imprévues.
- **Porter des vêtements adéquats. Ne pas porter de vêtements amples ni de bijoux. Ne pas approcher les cheveux, vêtements et gants des pièces en mouvement.** Les vêtements amples, les bijoux ou les cheveux longs risquent d'être happés par les pièces en mouvement.
- **Si des dispositifs sont prévus pour l'extraction et la récupération des poussières, vérifier qu'ils sont connectés et utilisés correctement.** L'utilisation de ces dispositifs peut réduire les risques liés aux poussières.

UTILISATION ET ENTRETIEN DE L'OUTIL ÉLECTRIQUE

- **Ne pas forcer l'outil électrique. Utiliser l'outil électrique approprié à l'application considérée.** L'outil électrique adapté au projet considéré produira de meilleurs résultats, dans des condi-

tions de sécurité meilleures, à la vitesse pour laquelle il a été conçu.

- **Ne pas utiliser l'outil électrique si le commutateur ne le met pas sous ou hors tension.** Tout outil électrique dont le commutateur de marche-arrêt est inopérant est dangereux et doit être réparé.
- **Débrancher la fiche de la prise d'alimentation et/ou la batterie de l'outil électrique avant d'effectuer des réglages, de changer d'accessoires ou de ranger l'outil.** De telles mesures de sécurité préventive réduisent le risque de mettre l'outil en marche accidentellement.
- **Ranger les outils électriques inutilisés hors de la portée des enfants et ne pas laisser des personnes qui connaissent mal les outils électriques ou ces instructions utiliser ces outils.** Les outils électriques sont dangereux dans les mains d'utilisateurs non formés à leur usage.
- **Entretien des outils électriques. S'assurer de l'absence de tout désalignement ou de grippage des pièces mobiles, de toute rupture de pièce ou de toute autre condition qui pourrait affecter le bon fonctionnement de l'outil électrique. En cas de dommages, faire réparer l'outil avant de l'utiliser de nouveau.** Les outils électriques mal entretenus sont à la source de nombreux accidents.
- **Garder les outils de coupe affûtés et propres.** Les outils de coupe correctement entretenus et bien affûtés risquent moins de se gripper et sont plus faciles à manier.
- **Utiliser l'outil électrique, les accessoires, les grains etc. conformément à ces instructions en tenant compte des conditions de travail et de la tâche à effectuer.** L'utilisation de cet outil électrique pour effectuer une opération pour laquelle il n'est pas conçu peut occasionner une situation dangereuse.

UTILISATION ET ENTRETIEN DE LA BATTERIE

- **Ne recharger la batterie qu'avec le chargeur spécifié par le fabricant.** Un chargeur qui convient à un type de batterie peut créer un risque d'incendie s'il est utilisé avec un autre type de batterie.
- **N'utiliser les outils électriques qu'avec les batteries spécialement conçues pour eux.** L'utilisation de batteries d'autres marques peut créer un risque de blessure et d'incendie.
- **Lorsque la batterie est hors service, la ranger à l'écart d'autres objets métalliques tels que trombones, pièces de monnaie, clés, clous, vis et autres petits objets métalliques qui peuvent établir une connexion d'une borne à l'autre.** Un court-circuit aux bornes de la batterie peut provoquer des brûlures ou un incendie.

ENTRETIEN

- **Faire effectuer l'entretien de l'outil électrique par un technicien qualifié qui n'utilisera que des pièces de rechange identiques.** La sécurité d'utilisation de l'outil en sera préservée.

RÈGLES DE SÉCURITÉ SPÉCIFIQUES

- **Garder les mains à l'écart des rebords tranchants et des pièces en mouvement. La lame est tranchante, ce qui présente des risques de lacération et d'amputation.**
- **Pour minimiser les risques de blessures, portez des lunettes à coques latérales. Un tuyau en PVC peut se fissurer ou se fragmenter.**
- **Garder les mains à l'écart des rebords tranchants et des pièces en mouvement. La lame est tranchante, ce qui présente des risques de lacération et d'amputation.**
- **Pour réduire les risques de blessures, éviter de couper de petits bouts de tuyau, puisque cette opération oblige l'utilisateur à mettre ses doigts près de la lame et de la mâchoire inférieure. La lame est tranchante.**
- **Tenir les mains et les vêtements amples loin des rebords tranchants et des pièces en mouvement.**
- **Pour réduire les risques d'explosion, de décharges électriques ou de dommages matériels, ne jamais couper les conduites d'essence, les canalisations électriques ou les conduites d'eau.** Fermer les conduites d'eau et de vidange avant d'effectuer une coupe.
- **Maintenir en l'état les étiquettes et les plaques d'identification.** Des informations importantes y figurent. Si elles sont illisibles ou manquantes, contacter un centre de services et d'entretien MILWAUKEE pour un remplacement gratuit.
- **AVERTISSEMENT** Certaines poussières générées par les activités de ponçage, de coupe, de rectification, de perçage et d'autres activités de construction contiennent des substances considérées être la cause de malformations congénitales et de troubles de l'appareil reproducteur. Parmi ces substances figurent:
 - le plomb contenu dans les peintures à base de plomb;
 - la silice cristalline des briques, du ciment et d'autres matériaux de maçonnerie, ainsi que

- l'arsenic et le chrome des sciages traités chimiquement.

Les risques encourus par l'opérateur envers ces expositions varient en fonction de la fréquence de ce type de travail. Pour réduire l'exposition à ces substances chimiques, l'opérateur doit travailler dans une zone bien ventilée et porter l'équipement de sécurité approprié, tel qu'un masque anti-poussière spécialement conçu pour filtrer les particules microscopiques.

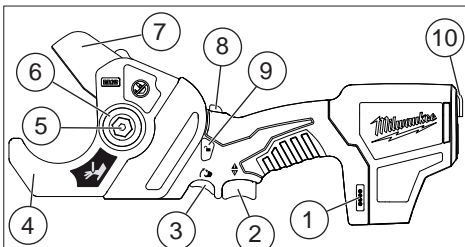
Pictographie

	AVERTISSEMENT Garder les mains à l'écart des rebords tranchants et des pièces en mouvement. La lame est tranchante, ce qui présente des risques de lacération et d'amputation.
	AVERTISSEMENT Fermer la lame lorsque la cisaille n'est pas utilisée.
	Gâchette de dégagement de la lame
	Tension Courant Direct
	Underwriters Laboratories, Inc. États-Unis et Canada
	Portez des lunettes à coques latérales

Spécifications

No de Cat.	Volts c.d.	Capacité maximale
2470-20	12	<ul style="list-style-type: none"> • PVC et PVC-C de 51 mm (2") de série 40 • PVC de 38 mm (1-1/2") de série 80 • ABS et PVC à âme de mousse de 51 mm (2") • Polyéthylène réticulé (XLPE) de 51 mm (2").

DESCRIPTION FONCTIONNELLE



1. Indicateur de niveau d'énergie
2. Gâchette
3. Gâchette de dégagement de la lame
4. Mâchoire inférieure
5. Boulon de lame
6. Bride extérieure de la lame
7. Lame
8. Interrupteur Ouvert/fermé
9. Bouton de déverrouillage de la gâchette
10. Clé de lame (clé hexagonale de 3/16")

MONTAGE DE L'OUTIL

AVERTISSEMENT Ne recharger la batterie qu'avec le chargeur spécifié. Pour les instructions de charge spécifiques, lire le manuel d'utilisation fourni avec le chargeur et les batteries.

- si le tuyau à la température ambiante se fissure pendant une coupe
- si le rebord semble émoussé, arrondi, ou endommagé.

Utiliser uniquement une lame de marque MILWAUKEE, n° de cat. 48-44-0400.

AVERTISSEMENT Retirez la batterie avant de changer ou d'enlever les accessoires. Utilisez les accessoires spécifiquement recommandés pour cet outil, l'utilisation d'autres accessoires pourrait comporter des risques.

AVERTISSEMENT La lame est tranchante, ce qui présente des risques de lacération. Garder les mains à l'écart des rebords tranchants.

Insertion/Retrait de la batterie

Pour retirer la batterie, enfoncez les boutons de déverrouillage et la tirer hors de l'outil.

Pour insérer la batterie, la glisser dans le corps de l'outil. S'assurer qu'elle est fixée solidement.

Changement de la lame

Remplacer la lame lorsque celle-ci commence à s'émousser ou à s'ébrécher. Une lame est émoussée :

- si, au moment d'effectuer une coupe, l'outil émet un bruit de cliquetis, ce qui indique que la lame a du mal à fendre le matériau

1. Fermer la lame. La mâchoire inférieure doit recouvrir le rebord tranchant de la lame.
2. Retirer le bloc-piles.
3. Retirer le boulon de lame à l'aide de la clé fournie.
4. Retirer la bride extérieure de la lame.
5. Glisser la lame vers l'extérieur.

6. Insérer la nouvelle lame (en position fermée).
7. Aligner le trou en forme de nœud papillon de la lame avec les trous de la bride intérieure de la lame.
8. Ajuster les oreilles de la bride extérieure dans la lame et dans les trous de la bride intérieure.
9. Insérer la vis de la lame et serrer solidement à l'aide de la clé fournie.

MANIEMENT

AVERTISSEMENT Verrouillez toujours la détente ou retirez la batterie avant de changer ou d'enlever les accessoires. Utilisez les accessoires spécifiquement recommandés pour cet outil, l'utilisation d'autres accessoires pourrait comporter des risques.

Indicateur de charge de la batterie

Pour déterminer l'autonomie de la batterie, appuyer sur la gâchette.

AVERTISSEMENT Pour réduire les risques de blessures, toujours placer la lame en position fermée avant d'entreposer la cisaille et chaque fois que l'outil n'est pas utilisé.

AVERTISSEMENT Garder les mains à l'écart des rebords tranchants et des pièces en mouvement. La lame est tranchante, ce qui présente des risques de lacération et d'amputation.

Interrupteur Ouvert/fermé et bouton de dégagement de la lame

Utiliser l'interrupteur Ouvert/fermé pour ouvrir ou fermer la lame, procéder à la coupe, retirer la lame d'une coupe partielle et dégager la lame si elle est fermée serrée.

- Pour ouvrir la lame, déplacer l'interrupteur Ouvert/fermé à la position Ouvert ▼.
- Pour fermer la lame, déplacer l'interrupteur Ouvert/fermé à la position Fermé ▲.

Utiliser le bouton de dégagement de la lame pour ouvrir ou fermer la lame si le bloc-piles est à plat ou s'il a été retiré de l'outil. La gâchette de dégagement de la lame ne permet généralement pas de retirer la lame d'une coupe partielle ou d'ouvrir celle-ci si elle a été fermée serrée.

- Pour ouvrir la lame, tirer sur la gâchette de dégagement de la lame. La lame se met rapidement en position ouverte. Si la lame se ferme de façon excessive (fermeture serrée) et qu'un bruit de cliquetis se fait entendre, le bouton de dégagement ne pourra peut être pas ouvrir la lame. Utiliser

l'interrupteur « Open/close » (Ouvert/fermé) pour ouvrir la lame. Lors d'une fermeture serrée, le fait de forcer la gâchette de dégagement de la lame peut endommager le mécanisme.

- Pour fermer la lame, tirer sur la gâchette de dégagement de la lame et la maintenir à cette position. Appuyer sur le rebord arrière arrondi de la lame jusqu'à ce qu'elle soit complètement fermée. Relâcher la gâchette de dégagement de la lame.

AVERTISSEMENT Pour réduire les risques de blessures, éviter de couper de petits bouts de tuyau, puisque cette opération oblige l'utilisateur à mettre ses doigts près de la lame et de la mâchoire inférieure. La lame est tranchante.


AVERTISSEMENT Pour minimiser les risques de blessures, portez des lunettes à coques latérales. Un tuyau en PVC peut se fissurer ou se fragmenter.

AVERTISSEMENT Pour réduire les risques de blessures, procéder uniquement à la coupe des matériaux recommandés (consulter la section intitulée « Spécifications »). Éviter de couper des fils, des branches, des tuyaux en métal ou d'autres matériaux.

AVERTISSEMENT Garder les mains à l'écart des rebords tranchants et des pièces en mouvement. La lame est tranchante, ce qui présente des risques de lacération et d'amputation.

Coupe

1. Ouvrir la lame.
2. Insérer complètement la pièce à travailler entre la mâchoire inférieure et la lame. Ne pas tenter d'effectuer des coupes angulaires; cela endommagera la pièce à travailler et la lame.
3. Aligner la ligne de coupe et la lame.
4. Tenir fermement l'outil et soutenir la pièce à travailler. S'assurer que la pièce à travailler

- est droite et bien centrée dans les mâchoires. Garder les mains à l'écart des mâchoires et de la lame.
- Appuyer sur le bouton de déverrouillage de la gâchette  et tirer sur la gâchette. La pièce peut bouger légèrement pendant la coupe.
 - Relâcher la gâchette une fois la coupe est terminée.

Conseils de coupe

- Le tuyau peut se fissurer ou se fragmenter en tout temps. Toujours agir avec précaution et entamer lentement la coupe.
- Le tuyau devient plus fragile à basse température, ce qui augmente le risque de fissuration ou de fragmentation. Il n'est pas recommandé de couper le tuyau à l'aide de cet outil à une température

inférieure à 4 °C (40 °F).

- Les petits bouts de tuyau peuvent se fragmenter ou s'affaisser pendant la coupe. Éviter de couper de petits bouts de tuyau.
- Pour éviter des coupes de travers, procéder lentement à la coupe et plus loin de l'extrémité du tuyau.
- Il est normal d'entendre un simple « déclic » au moment d'entamer la coupe; cela indique que la lame engage le mécanisme de fermeture.
- Ne pas tenter d'effectuer des coupes angulaires. Cela endommagera la lame. Tenir le tuyau bien droit à l'intérieur des mâchoires.
- Couper des matériaux propres pour prolonger la durée de vie de la lame. Essuyer les saletés et les débris avant d'entamer la coupe.

ENTRETIEN

AVERTISSEMENT Pour minimiser les risques de blessures corporelles, débranchez le chargeur et retirez la batterie du chargeur ou de l'outil avant d'y effectuer des travaux d'entretien. Ne démontez jamais l'outil, la batterie ou le chargeur. Pour toute réparation, consultez un centre de service MILWAUKEE accrédité.

Entretien de l'outil

Gardez l'outil, la batterie et le chargeur en bon état en adoptant un programme d'entretien ponctuel. Après une période de six mois à un an, selon l'utilisation, renvoyez l'outil, la batterie et le chargeur à un centre de service MILWAUKEE accrédité pour les services suivants:

- Lubrification
- Inspection et nettoyage de la mécanique (engrenages, pivots, coussinets, boîtier etc.)
- Inspection électrique (batterie, chargeur, moteur)
- Vérification du fonctionnement électromécanique

Si l'outil ne démarre pas ou ne fonctionne pas à pleine puissance alors qu'il est branché sur une batterie complètement chargée, nettoyez les points de contact entre la batterie et l'outil. Si l'outil ne fonctionne toujours pas correctement, renvoyez l'outil, le chargeur et la batterie à un centre de service MILWAUKEE accrédité, afin qu'on en effectue la réparation (voir "Réparations").

AVERTISSEMENT Pour minimiser les risques de blessures ou de dommages à l'outil, n'immergez jamais l'outil, la batterie ou le chargeur et ne laissez pas de liquide s'y infiltrer.

Nettoyage

Débarressez les événements du chargeur et de l'outil des débris et de la poussière. Gardez les poignées de l'outil propres, à sec et exemptes d'huile ou de graisse. Le nettoyage de l'outil, du chargeur et de la batterie doit se faire avec un linge humide et un savon doux. Certains nettoyants tels l'essence, la térébenthine, les diluants à laque ou à peinture, les solvants chlorés, l'ammoniaque et les détergents d'usage domestique qui en contiennent pourraient détériorer le plastique et l'isolation des pièces. Ne laissez jamais de solvants inflammables ou combustibles auprès de l'outil.

Réparations

Pour les réparations, retournez outil, batterie et chargeur en entier au centre-service le plus près, selon la liste apparaissant à la dernière page de ce manuel.

ACCESSOIRES

AVERTISSEMENT Retirez toujours la batterie avant de changer ou d'enlever les accessoires. L'utilisation d'autres accessoires que ceux qui sont spécifiquement recommandés pour cet outil peut comporter des risques.

Pour une liste complète des accessoires, prière de se reporter au catalogue MILWAUKEE Electric Tool ou visiter le site internet www.milwaukeetool.com. Pour obtenir un catalogue, il suffit de contacter votre distributeur local ou l'un des centres-service énumérés sur la page de couverture de ce manuel.

GARANTIE LIMITÉE DE L'OUTIL DE CINQ ANS

Chaque outil électrique MILWAUKEE (y compris les produits sans fil [outils, batteries, chargeurs de batterie, et les lampes de travail-lampes de poche sans fil]) est garanti à l'acheteur d'origine être exempt de vice du matériau et de fabrication. Sous réserve de certaines exceptions, MILWAUKEE réparera ou remplacera toute pièce d'un outil électrique qui, après examen par MILWAUKEE, s'est avérée être affectée d'un vice du matériau ou de fabrication pendant une période de cinq (5) ans* après la date d'achat. Retourner l'outil électrique, accompagné d'une copie de la preuve d'achat, à un centre de réparations en usine MILWAUKEE ou à un poste d'entretien agréé MILWAUKEE, en port prépayé et assuré. Cette garantie ne couvre pas les dommages que MILWAUKEE détermine être causés par des réparations ou des tentatives de réparation par quiconque autre que le personnel agréé par MILWAUKEE, des utilisations incorrectes, des altérations, des utilisations abusives, une usure normale, une carence d'entretien ou les accidents.

*Toutes les batteries MILWAUKEE V™ (V18™ & V28™) au LITHIUM-ION et M18 XC au LITHIUM-ION sont garanties pendant cinq (5) ans ou pour 2 000 charges, selon la première échéance. La garantie couvre les 1 000 premières charges ou les deux premières années de la garantie, selon la première échéance. Cela signifie que pour les 1 000 premières charges, ou pendant les deux premières années de la garantie à partir de la date d'achat ou de la première charge, une batterie de rechange sera remise tout à fait gratuitement à l'utilisateur si la batterie d'origine est défectueuse. Par la suite, la garantie couvrira les charges restantes, jusqu'à concurrence de 2 000, ou les années restantes de la période de garantie de cinq (5) ans à partir de la date d'achat, selon la première échéance, et ce, au pro rata. Cela signifie que chaque consommateur bénéficie de 1 000 charges supplémentaires ou d'une garantie supplémentaire de proportionnalité de trois (3) ans sur les batteries avec technologie V™ au LITHIUM-ION et M18 XC au LITHIUM-ION, selon la durée de l'utilisation.

*La période de la garantie applicable à TOUTES les batteries autres au LITHIUM-ION est d'une durée de deux (2) ans à partir de la date d'achat.

* La période de garantie applicable pour le laser à deux faisceaux M12 et le port d'alimentation M12, les batteries au nickel-cadmium, les radios de chantier et les chariots de travail industriels Trade Titan™ est d'une durée d'un (1) an à partir de la date d'achat.

L'enregistrement de la garantie n'est pas nécessaire pour bénéficier de la garantie en vigueur sur un produit MILWAUKEE. La date de fabrication du produit servira à établir la période de garantie si aucune preuve d'achat n'est fournie lorsqu'une demande de service sous garantie est faite.

L'ACCEPTATION DES RECOURS EXCLUSIFS DE RÉPARATION ET DE REMPLACEMENT DÉCRITS AUX PRÉSENTES EST UNE CONDITION DU CONTRAT D'ACHAT DE TOUT PRODUIT MILWAUKEE. SI VOUS N'ACCEPTÉZ PAS CETTE CONDITION, VOUS NE DEVEZ PAS ACHETER LE PRODUIT. EN AUCUN CAS MILWAUKEE NE SAURAIT ÊTRE RESPONSABLE DE TOUT DOMMAGE ACCESSOIRE, SPÉCIAL OU INDIRECT, DE DOMMAGES-INTÉRÊTS PUNITIFS OU DE TOUTE DÉPENSE, D'HONORAIRES D'AVOCATS, DE FRAIS, DE PERTE OU DE DÉLAIS ACCESSOIRES À TOUT DOMMAGE, DÉFAILLANCE OU DÉFAUT DE TOUT PRODUIT, Y COMPRIS NOTAMMENT LES PERTES DE PROFIT. CETTE GARANTIE EST EXCLUSIVE ET REMPLACE TOUTE AUTRE GARANTIE OU CONDITION, ÉCRITE OU VERBALE, EXPRESSE OU IMPLICITE. SANS LIMITER LA GÉNÉRALITÉ DES DISPOSITIONS PRÉCÉDENTES, MILWAUKEE DÉCLINE TOUTE GARANTIE IMPLICITE DE QUALITÉ MARCHANDE OU D'ADAPTATION À UNE UTILISATION OU À UNE FIN PARTICULIÈRE ET TOUTE AUTRE GARANTIE.

Cette garantie s'applique aux produits vendus aux États-Unis, au Canada et au Mexique uniquement.

Veillez consulter la rubrique Centre SAV MILWAUKEE, dans la section Pièces & Service du site Web de MILWAUKEE, à l'adresse www.milwaukeetool.fr, ou composer le 1-800-SAWDUST (1-800-729-3878) afin de trouver le centre de service de votre région le plus près pour l'entretien, sous garantie ou non, de votre outil électrique MILWAUKEE.

ADVERTENCIAS DE SEGURIDAD GENERALES PARA LA HERRAMIENTA ELÉCTRICA

⚠ ADVERTENCIA LEA TODAS LAS ADVERTENCIAS E INSTRUCCIONES DE SEGURIDAD. Si no sigue todas las advertencias e instrucciones, se pueden provocar una descarga eléctrica, un incendio o lesiones graves.

Guarde todas las advertencias e instrucciones para consultarlas en el futuro. El término “herramienta eléctrica” en todas las advertencias incluidas más abajo se refiere a su herramienta operada por conexión (cable) a la red eléctrica o por medio de una batería (inalámbrica).

SEGURIDAD EN EL ÁREA DE TRABAJO

- Mantenga limpia y bien iluminada el área de trabajo. Las áreas desordenadas u oscuras contribuyen a que se produzcan accidentes.
- No utilice herramientas eléctricas en atmósferas explosivas, como en la presencia de líquidos, gases o polvo inflamables. Las herramientas eléctricas crean chispas que pueden incendiar el polvo o las emanaciones.
- Mantenga a los niños y otras personas alejadas mientras utiliza una herramienta eléctrica. Las distracciones pueden hacerle perder el control.

SEGURIDAD ELÉCTRICA

- Los enchufes de las herramientas eléctricas deben ser del mismo tipo que el tomacorrientes. Nunca realice ningún tipo de modificación en el enchufe. No use enchufes adaptadores con herramientas eléctricas con conexión a tierra. Se reducirá el riesgo de descarga eléctrica si no se modifican los enchufes y los tomacorrientes son del mismo tipo.
- Evite el contacto corporal con superficies con conexión a tierra, como tuberías, radiadores, estufas y refrigeradores. El riesgo de descarga eléctrica aumenta si su cuerpo está conectado a tierra.
- No exponga la herramientas eléctricas a la lluvia o a condiciones de humedad. El agua que entra en una herramienta eléctrica aumenta el riesgo de descarga eléctrica.
- No abuse del cable. Nunca use el cable para transportar la herramienta eléctrica, tirar de ella o desenchufarla. Mantenga el cable alejado del calor, los bordes afilados o las piezas en movimiento. Los cables dañados o enmarañados aumentan el riesgo de descarga eléctrica.
- Cuando se utiliza una herramienta eléctrica en el exterior, use una extensión que sea apropiada para uso en el exterior. El uso de un cable apropiado para el exterior reduce el riesgo de descarga eléctrica.
- Si debe operar una herramienta eléctrica en un lugar húmedo, utilice un suministro prote-

gido por un dispositivo de corriente residual (RCD). Usar un RCD reduce el riesgo de que se produzcan descargas eléctricas.

SEGURIDAD PERSONAL

- Manténgase alerta, ponga cuidado a lo que está haciendo y use el sentido común cuando utilice una herramienta eléctrica. No use una herramienta eléctrica cuando está cansado o bajo la influencia de drogas, alcohol o medicamentos. Despijarse un minuto cuando se utiliza una herramienta eléctrica puede tener como resultado lesiones personales graves.
- Use un equipo de protección personal. Lleve siempre protección ocular. Llevar un equipo de protección apropiado para la situación, como una máscara antipolvo, zapatos de seguridad antideslizantes, un casco o protección auditiva, reducirá las lesiones personales.
- Evite el encendido accidental. Asegúrese de que el interruptor esté en la posición de apagado antes de conectarlo a la toma de alimentación o a la batería, al levantar o mover la herramienta. Mover herramientas con el dedo en el interruptor o enchufarlas con el interruptor en la posición de encendido contribuye a que se produzcan accidentes.
- Quite todas las llaves de ajuste antes de encender la herramienta. Una llave que esté acoplada a una pieza giratoria de la herramienta puede provocar lesiones personales.
- No se estire demasiado. Mantenga los pies bien asentados y el equilibrio en todo momento. Esto permite tener mejor control de la herramienta eléctrica en situaciones inesperadas.
- Vístase de manera apropiada. No lleve ropa suelta ni joyas. Mantenga el cabello, la ropa y los guantes lejos de las piezas en movimiento. La ropa floja, las joyas o el cabello largo pueden quedar atrapados en las piezas en movimiento.
- Si se proporcionan dispositivos para la conexión de sistemas de recolección y extracción de polvo, asegúrese de que estén conectados y se usen apropiadamente. El uso de estos dispositivos puede reducir los peligros relacionados con el polvo.

USO Y CUIDADO DE LAS HERRAMIENTAS ELÉCTRICAS

- No fuerce la herramienta eléctrica. Use la herramienta eléctrica correcta para la aplicación. La herramienta eléctrica correcta funcionará mejor y de manera más segura a la velocidad para la que se diseñó.
- No use la herramienta eléctrica si el interruptor no la enciende ni la apaga. Cualquier herramienta eléctrica que no se pueda controlar con el interruptor es peligrosa y se debe reparar.
- Desconecte el enchufe de la toma de alimentación y/o la batería de la herramienta eléctrica antes de realizar cualquier ajuste, cambiar accesorios o almacenar las herramientas eléctricas. Dichas medidas preventivas de seguridad reducen el riesgo de que la herramienta se prenda accidentalmente.
- Almacene las herramientas eléctricas fuera del alcance de los niños y no permita que personas no familiarizadas con ellas o estas instrucciones las utilicen. Las herramientas eléctricas son peligrosas en las manos de usuarios no capacitados.
- Mantenimiento de las herramientas eléctricas. Revise que no haya piezas móviles que estén desalineadas o que se atasquen, piezas rotas ni ninguna otra condición que pueda afectar el funcionamiento de la herramienta eléctrica. Si se encuentran daños, haga que le reparen la herramienta antes de usarla. Las herramientas mal mantenidas son la causa de muchos accidentes.
- Mantenga las herramientas de corte limpias y afiladas. Es menos probable que se atasquen las herramientas de corte con filos afilados que se mantienen de manera apropiada y también son más fáciles de controlar.
- Use la herramienta eléctrica, los accesorios, las brocas, etc. siguiendo estas instrucciones, teniendo en cuenta las condiciones de trabajo y la tarea que se va a realizar. El uso de la herramienta eléctrica para operaciones diferentes de aquellas para las que se diseñó podría originar una situación peligrosa.

USO Y CUIDADO DE LAS HERRAMIENTAS CON BATERÍA

- Recárguela solamente con el cargador especificado por el fabricante. Un cargador que sea apropiado para un tipo de batería puede crear riesgo de incendio cuando se use con otra batería.
- Use las herramientas eléctricas solamente con baterías específicamente diseñadas. El uso de cualquier otro tipo de batería puede crear riesgo de lesiones o incendio.
- Cuando no se use la batería manténgala alejada de otros objetos de metal como clips para papel, monedas, llaves, clavos, tornillos u otros

objetos de metal pequeños que puedan realizar una conexión entre los bornes. Realizar un cortocircuito en los terminales de la batería puede provocar quemaduras o un incendio.

- Bajo condiciones abusivas, puede salir líquido expulsado de la batería; evitar el contacto. Si se produce un contacto accidental, lavar con agua. Si el líquido entra en contacto con los ojos buscar ayuda médica adicional. El líquido que sale despedido de la batería puede causar irritaciones o quemaduras.

MANTENIMIENTO

- Haga que un técnico calificado realice el mantenimiento de la herramienta eléctrica utilizando solamente piezas de repuesto idénticas. Esto asegurará que se mantiene la seguridad de la herramienta eléctrica.

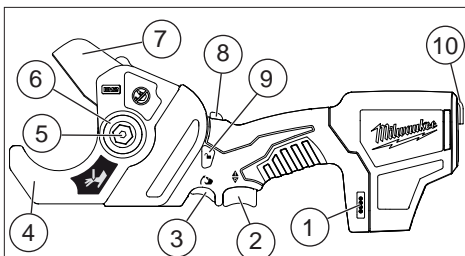
REGLAS ESPECÍFICAS DE SEGURIDAD

- Mantenga las manos alejadas de todos los bordes de corte y las piezas móviles. La segueta está afilada. Se pueden ocasionar laceraciones y amputaciones.
- Para reducir el riesgo de lesiones, use lentes o gafas de seguridad con protectores laterales. La tubería de PVC puede rajarse o romperse en pedazos.
- Mantenga las manos alejadas de todos los bordes de corte y las piezas móviles. La segueta está afilada. Se pueden ocasionar laceraciones y amputaciones.
- Para reducir el riesgo de lesiones, no corte trozos de tubería cortos que dejen los dedos cerca de la segueta y la mordaza inferior. La segueta está afilada.
- Mantenga las manos y la ropa suelta alejadas de todos los filos y piezas en movimiento.
- Para reducir el riesgo de explosión, descarga eléctrica y daños materiales, nunca corte tuberías de gas, líneas eléctricas o tuberías llenas de agua. Cierre el suministro de las tuberías de agua y de drenaje antes de realizar un corte.
- Guarde las etiquetas y placas de especificaciones. Estas tienen información importante. Si son ilegibles o si no se pueden encontrar, póngase en contacto con un centro de servicio de MILWAUKEE para una refacción gratis.
- ADVERTENCIA Algunas partículas de polvo resultantes del lijado mecánico, aserrado, esmerilado, taladrado y otras actividades relacionadas a la construcción, contienen sustancias químicas que se saben ocasionan cáncer, defectos congénitos u otros daños al aparato reproductivo. A continuación se citan algunos ejemplos de tales sustancias químicas:
- plomo proveniente de pinturas con base de plomo

- sílice cristalino proveniente de ladrillos, cemento y otros productos de albañilería y
- arsénico y cromo provenientes de madera químicamente tratada.

El riesgo que usted sufre debido a la exposición varía dependiendo de la frecuencia con la que usted realiza estas tareas. Para reducir la exposición a estas sustancias químicas: trabaje en un área bien ventilada, y utilice equipo de seguridad aprobado como, por ejemplo, máscaras contra el polvo que hayan sido específicamente diseñadas para filtrar partículas microscópicas.

DESCRIPCION FUNCIONAL



1. Indicador de carga
2. Gatillo
3. Gatillo de liberación de la seguenta
4. Mordaza inferior
5. Perno de la seguenta
6. Brida exterior de la seguenta
7. Seguenta
8. Interruptor para abrir/cerrar
9. Desbloqueador del gatillo
10. Llave para cambiar la seguenta (llave hexagonal de 3/16")

ENSAMBLAJE

ADVERTENCIA Recargue la batería sólo con el cargador especificado para ella. Para instrucciones específicas sobre cómo cargar, lea el manual del operador suministrado con su cargador y la batería.

Como se inserta / quita la batería en la herramienta

Para retirar la batería, presione los botones de liberación y jale de la batería para sacarla de la herramienta.

Para introducir la batería, deslícela en el cuerpo de la herramienta. Asegúrese de que quede bien firme en su posición.

Cómo cambiar la seguenta

Reemplace la seguenta cuando se desafilé o se astille. Una seguenta está desafilada cuando:

Simbología

	ADVERTENCIA Mantenga las manos alejadas de todos los bordes de corte y las piezas móviles. La seguenta está afilada. Se pueden ocasionar laceraciones y amputaciones.
	ADVERTENCIA Cierre la seguenta cuando la cizalla no esté en uso.
	Gatillo de liberación de la seguenta
	Volts corriente directa
	Underwriters Laboratories, Inc. Estados Unidos y Canadá
	Use lentes o gafas de seguridad con protectores laterales

Especificaciones

Cat. No.	Volts	Capacidad máxima
2470-20	12 DC	<ul style="list-style-type: none"> • Tuberías de PVC, CPVC cédula 40 de 51 mm (2") • Tuberías de PVC cédula 80 de 38 mm (1 1/2") • Tuberías de ABS/PVC con núcleo de espuma de 51 mm (2") • Tuberías de PEX de 51 mm (2")

- Durante un corte, la herramienta hace un ruido de trinquete, que indica que la seguenta está teniendo dificultades para atravesar el material.
- Una tubería a temperatura ambiente se raja durante un corte.
- El borde de la seguenta se ve desafilado, redondeado o dañado.

Use únicamente seguetas **MILWAUKEE** N° de cat. 48-44-0400.

ADVERTENCIA Para reducir el riesgo de lesiones, extraiga siempre la batería antes de acoplar o desacoplar accesorios. Utilice únicamente accesorios específicamente recomendados para esta herramienta. El uso de accesorios no recomendados podría resultar peligroso.

ADVERTENCIA La seguenta está afilada. Mantenga las manos alejadas de todos los bordes de corte. Se pueden ocasionar laceraciones

1. Cierre la seguenta. El borde de corte de la seguenta debe estar cubierto por la mordaza inferior.
2. Retire la batería.
3. Retire el perno de la seguenta con la llave suministrada.
4. Retire la brida exterior de la seguenta.

OPERACION

ADVERTENCIA Para reducir el riesgo de lesiones, extraiga siempre la batería antes de acoplar o desacoplar accesorios. Utilice únicamente accesorios específicamente recomendados para esta herramienta. El uso de accesorios no recomendados podría resultar peligroso.

Indicador de carga

Para determinar la cantidad de carga que queda en la batería, pulse el gatillo.

ADVERTENCIA Para reducir el riesgo de lesiones, coloque siempre la seguenta en la posición cerrada completamente antes de guardarla y cuando la cizalla no esté en uso.

ADVERTENCIA Mantenga las manos alejadas de todos los bordes de corte y las piezas móviles. La seguenta está afilada. Se pueden ocasionar laceraciones y amputaciones.

Interruptor para abrir/cerrar y gatillo de liberación de la seguenta

Use el interruptor para abrir/cerrar para abrir o cerrar la seguenta, hacer un corte, retirar la seguenta de un corte parcial y liberar la seguenta de un cierre apretado.

- Para **abrir** la seguenta, coloque el interruptor para abrir/cerrar en la posición Abrir.
- Para **cerrar** la seguenta, coloque el interruptor para abrir/cerrar en la posición Cerrar.

Use el gatillo de liberación de la seguenta para abrir o cerrar la seguenta cuando la batería no tenga energía o haya sido extraída de la herramienta. Por lo general, el gatillo de liberación de la seguenta no retirará la seguenta de un corte parcial ni la abrirá en un cierre apretado.

- Para **abrir** la seguenta, tire del gatillo de liberación de la seguenta. La seguenta se coloca rápidamente en la posición Abrir. Si la seguenta se desplaza de-

5. Deslice la seguenta hacia afuera.
6. Inserte la nueva seguenta (en la posición cerrada).
7. Alinee el orificio en forma de "pajarita" de la seguenta con los orificios de la brida interior de la seguenta.
8. Encaje las orejetas de la brida a través de la seguenta y dentro de los orificios de la brida interior.
9. Inserte el tornillo de la seguenta y apriételo firmemente con la llave suministrada.

masiado hacia la posición cerrada (cierre apretado) y se escucha un sonido de trinquete, es posible que el gatillo de liberación de la seguenta no abra la seguenta. Use el interruptor para abrir/cerrar para abrir la seguenta. Durante un cierre apretado, la fuerza excesiva sobre el gatillo de liberación de la seguenta puede dañar el mecanismo.

- Para **cerrar** la seguenta, tire del gatillo de liberación de la seguenta y manténgalo apretado. Presione hacia abajo sobre el borde posterior romo de la seguenta hasta que esté completamente cerrada. Suelte el gatillo de liberación de la seguenta.

ADVERTENCIA Para reducir el riesgo de lesiones, no corte trozos de tubería cortos que dejen los dedos cerca de la seguenta y la mordaza inferior. La seguenta está afilada.

ADVERTENCIA Para reducir el riesgo de lesiones, use lentes o gafas de seguridad con protectores laterales. La tubería de PVC puede rajarse o romperse en pedazos.

ADVERTENCIA Para reducir el riesgo de lesiones, corte únicamente los materiales recomendados (Vea las "Especificaciones"). No intente cortar alambres, ramas, tuberías de metal ni otros materiales.

ADVERTENCIA Mantenga las manos alejadas de todos los bordes de corte y las piezas móviles. La seguenta está afilada. Se pueden ocasionar laceraciones y amputaciones.

Cómo cortar

1. Abra la seguenta.
2. Inserte la pieza de trabajo a escuadra entre la mordaza inferior y la seguenta. No intente hacer cortes en ángulo, ya que esto puede dañar la pieza de trabajo y la seguenta.
3. Alinee la línea de corte y la seguenta.

- Sostenga la herramienta firmemente y apoye la pieza de trabajo. Asegúrese de que la pieza de trabajo esté derecha y centrada en las mordazas. Mantenga la mano alejada de las mordazas y de la segueta.
- Presione el botón desbloqueador del gatillo y tire del gatillo. La pieza de trabajo puede moverse levemente durante el corte.
- Suelte el gatillo cuando el corte esté terminado.

Sugerencias para el corte

- La tubería puede rajarse o romperse en pedazos en cualquier momento. Tenga precaución siempre y comience a cortar lentamente.
- La tubería se vuelve más frágil a bajas temperaturas, lo que aumenta el riesgo de que se raje o

se rompa en pedazos. No se recomienda cortar tuberías con esta herramienta a una temperatura inferior a 4 °C (40 °F).

- Los trozos de tubería más cortos pueden romperse en pedazos o hundirse mientras se los corta. No corte trozos de tubería cortos.
- Para evitar cortes torcidos, corte lentamente y más adentro con respecto al extremo de la tubería.
- Es normal escuchar un solo "clic" al comenzar a cortar: la segueta está accionando el mecanismo de cierre.
- No intente hacer cortes en ángulo. Esto dañará la segueta. Mantenga la tubería a escuadra en las mordazas.
- Corte material limpio para aumentar la duración de la segueta. Limpie la suciedad y los desechos de la tubería antes de comenzar el corte.

MANTENIMIENTO

ADVERTENCIA Para reducir el riesgo de una lesión, desconecte siempre la herramienta antes de darle cualquier mantenimiento. Nunca desarme la herramienta ni trate de hacer modificaciones en el sistema eléctrico de la misma. Acuda siempre a un Centro de Servicio MILWAUKEE para TODAS las reparaciones.

Mantenimiento de la herramienta

Adopte un programa regular de mantenimiento y mantenga sus baterías y cargador en buenas condiciones. Después de 6 meses a un año, dependiendo del uso dado, envíe su herramienta, batería y cargador, al Centro de Servicio MILWAUKEE más cercano para que le hagan:

- Lubricación
- Inspección mecánica y limpieza (engranes, flechas, baleros, carcaza, etc.)
- Inspección eléctrica (batería, cargador, motor)
- Probarla para asegurar una adecuada operación mecánica y eléctrica

Si la herramienta no arranca u opera a toda su potencia con una batería completamente cargada, limpie, con una goma o borrador, los contactos de la batería y de la herramienta. Si aun así la herramienta no trabaja correctamente, regrésela, con el cargador y la batería, a un centro de servicio MILWAUKEE para que sea reparada.

ADVERTENCIA Para reducir el riesgo de una explosión, no quemé nunca una batería, aun si está dañada, "muerta" o completamente descargada.

Limpieza

Limpie el polvo y suciedad de las ventilas del cargador y la herramienta. Mantenga los mangos y empuñaduras limpios, secos y libres de aceite o grasa. Use solo jabón neutro y un trapo húmedo para limpiar la herramienta, batería y el cargador, ya que algunos substancias y solventes limpiadores son dañinos a los plásticos y partes aislantes. Algunos de estos incluyen: gasolina, turpentina, thinner, lacas, thinner para pinturas, solventes para limpieza con cloro, amoníaco y detergentes caseros que tengan amonía. Nunca use solventes inflamables o combustibles cerca de una herramienta.

Reparaciones

Si su herramienta, batería o cargador están dañados, envíela al centro de servicio más cercano de los listados en la cubierta posterior de este manual del operario.

ACCESORIOS

ADVERTENCIA Para reducir el riesgo de lesiones, siempre extraiga la batería antes de cambiar o retirar accesorios. Utilice únicamente accesorios específicamente recomendados para esta herramienta. El uso de accesorios no recomendados podría resultar peligroso.

Para una lista completa de accesorios, refiérase a su catálogo MILWAUKEE Electric Tool o visite nuestro sitio en Internet: www.milwaukeetool.com. Para obtener un catálogo, contacte su distribuidor local o uno de los centros de servicio listos en la página de cubierta de este manual.

GARANTÍA LIMITADA DE CINCO AÑOS

Se garantiza al comprador original que ninguna de las herramientas eléctricas MILWAUKEE (incluidos el producto, la herramienta, las baterías, el cargador, y las lámparas de trabajo-linternas inalámbricas) presentan defectos en material ni mano de obra. En un plazo de cinco (5) años a partir de la fecha de compra y sujeto a ciertas excepciones, MILWAUKEE reparará o reemplazará cualquier parte de una herramienta eléctrica que, luego de ser examinada, MILWAUKEE compruebe que presenta defectos en material o mano de obra. Devuelva la herramienta, con gastos de envío prepagados y asegurada, y un comprobante de compra a un centro de mantenimiento de la fábrica MILWAUKEE o a un centro de reparaciones autorizado por MILWAUKEE. Esta garantía no se aplica a los daños que MILWAUKEE establece que fueron ocasionados por reparaciones o intentos de reparación por parte de personal no autorizado por MILWAUKEE, uso indebido, alteraciones, abuso, desgaste y deterioro normal, falta de mantenimiento o accidentes.

*Todas las baterías de IONES DE LITIO con tecnología V™ (V18™ & V28™) de MILWAUKEE y las baterías de IONES DE LITIO de M18 XC cuentan con una garantía de cinco (5) años o de 2 000 cargas, lo que ocurra primero, a partir de la fecha de compra. Las primeras 1 000 cargas o 2 años de garantía, lo que ocurra primero, están cubiertos con el reemplazo gratuito de la batería defectuosa. Esto significa que tras las primeras 1 000 cargas o los primeros dos (2) años a partir de la fecha de compra/el primer cambio, se le ofrecerá una batería de repuestos al cliente por cualquier batería defectuosa sin cargo. A partir de ese momento, las cargas restantes hasta llegar a las 2 000 o el tiempo restante del período de cinco (5) años desde el momento de la compra, lo que ocurra primero, estarán cubiertos por un prorrateo. Esto significa que cada consumidor obtiene una garantía prorrateada de 1 000 cargas adicionales o tres (3) años por la batería de IONES DE LITIO con tecnología V™ y la batería de IONES DE LITIO M18 XC según el uso.

*El período de la garantía para el RESTO de las baterías de IONES DE LITIO es de dos (2) años a partir de la fecha de compra.

*El período de la garantía para el láser con dos rayos M12 y el puerto de alimentación M12, las baterías de níquel-cadmio, las radios para la obra y las carretillas de trabajo industrial Trade Titan™ es de un (1) año a partir de la fecha de compra.

No se necesita registro de garantía para obtener la garantía correspondiente de los productos MILWAUKEE. La fecha de fabricación del producto se utilizará para determinar el período de garantía si no se presenta un comprobante de compra en el momento en que se solicita el servicio de garantía.

LA ACEPTACIÓN DE LOS DERECHOS A REPARACIÓN Y REEMPLAZO EXCLUSIVAMENTE DESCRITOS EN EL PRESENTE DOCUMENTO CONSTITUYE UNA CONDICIÓN DEL CONTRATO POR LA COMPRA DE CADA PRODUCTO MILWAUKEE. SI NO ACEPTA ESTA CONDICIÓN, NO DEBE COMPRAR EL PRODUCTO. MILWAUKEE NO SERÁ EN NINGÚN CASO RESPONSABLE DE DAÑOS INCIDENTALES, ESPECIALES, CONSECUTENTES O PUNITIVOS, NI DE COSTOS, HONORARIOS DE ABOGADOS, GASTOS, PÉRDIDAS O DEMORAS SUPUESTAMENTE CAUSADOS COMO CONSECUENCIA DE CUALQUIER DAÑO, FALLA O DEFECTO EN CUALQUIER PRODUCTO, INCLUIDOS, A MODO DE EJEMPLO, RECLAMOS POR PÉRDIDA DE GANANCIAS. ESTA GARANTÍA ES EXCLUSIVA Y SUSTITUYE A TODA OTRA GARANTÍA O CONDICIÓN, ESCRITA U ORAL, EXPRESA O IMPLÍCITA. SIN LIMITAR LA GENERALIDAD DE LO ANTES MENCIONADO, MILWAUKEE SE EXIME DE TODA GARANTÍA IMPLÍCITA DE COMERCIABILIDAD O IDONEIDAD PARA UN USO O PROPÓSITO EN PARTICULAR Y DE CUALQUIER OTRA GARANTÍA.

Esta garantía se aplica únicamente a los productos vendidos en E.U.A., Canadá y México.

Consulte el sitio web de MILWAUKEE, www.milwaukeetool.com, o llame al 1.800.SAWDUST (1.800.729.3878) para identificar el centro de servicio más cercano a fin de obtener servicio de garantía y fuera de garantía de una herramienta eléctrica de MILWAUKEE.

UNITED STATES - MILWAUKEE Service

MILWAUKEE prides itself in producing a premium quality product that is NOTHING BUT HEAVY DUTY®. Your satisfaction with our products is very important to us! If you encounter any problems with the operation of this tool, or you would like to locate the *factory Service/Sales Support Branch* or *authorized service station* nearest you, please call...

1-800-SAWDUST

(1.800.729.3878)

Monday-Friday
7:00 AM - 6:30 PM
Central Time

or visit our website at
www.milwaukeetool.com

For service information, use the 'Service Center Search' icon found in the 'Parts & Service' section.

Additionally, we have a nationwide network of *authorized* Distributors ready to assist you with your tool and accessory needs. Check your "Yellow Pages" phone directory under "Tools-Electric" for the names & addresses of those nearest you or see the 'Where To Buy' section of our website.

Contact our Corporate After Sales Service Technical Support about ...

- Technical Questions
- Service/Repair Questions
- Warranty

call: 1-800-SAWDUST

fax: 1.800.638.9582

email: metproductsupport@milwaukeetool.com

Register your tool online at www.milwaukeetool.com and...

- receive important notifications regarding your purchase
- ensure that your tool is protected under the warranty
- become a HEAVY DUTY club member

Canada - Service MILWAUKEE

MILWAUKEE est fier de proposer un produit de première qualité NOTHING BUT HEAVY DUTY®. Votre satisfaction est ce qui compte le plus!

En cas de problèmes d'utilisation de l'outil ou pour localiser le centre de service/ventes ou le *centre d'entretien* le plus proche, appelez le...

416.439.4181

fax: 416.439.6210

Milwaukee Electric Tool (Canada) Ltd

755 Progress Avenue
Scarborough, Ontario M1H 2W7

Notre réseau national de distributeurs *agréés* se tient à votre disposition pour fournir l'aide technique, l'outillage et les accessoires nécessaires. Composez le 416.439.4181 pour obtenir les noms et adresses des revendeurs les plus proches ou bien consultez la section «Où acheter» sur notre site web à l'adresse

www.milwaukeetool.com

MEXICO - Soporte de Servicio MILWAUKEE

Herramientas Alerka
Dr. Andrade 140 Local B, Col. Doctores
Delegación Cuauhtemoc, México D.F.
Telefono sin costo 01 800 832 1949
www.ttigroupmexico.com

Adicionalmente, tenemos una red nacional de distribuidores autorizados listos para ayudarle con su herramienta y sus accesorios. Por favor, llame al 01 800 832 1949 para obtener los nombres y direcciones de los más cercanos a usted, o consulte la sección 'Where to buy' (Dónde comprar) de nuestro sitio web en

www.ttigroupmexico.com

Registre su herramienta en línea, en www.ttigroupmexico.com y...

- reciba importantes avisos sobre su compra
- asegúrese de que su herramienta esté protegida por la garantía
- conviértase en integrante de Heavy Duty

MILWAUKEE ELECTRIC TOOL CORPORATION
13135 West Lisbon Road • Brookfield, Wisconsin, U.S.A. 53005