

INSTALLATION INSTRUCTION FOR FIXTURE# 4499

**WARNING! SHUT POWER OFF AT FUSE OR CIRCUIT BREAKER.
AVERTISSEMENT! COUPER LE COURANT AU NIVEAU DES FUSIBLES OU DU DISJONCTEUR.**

ASSEMBLY THE FIXTURE (FIG. 1)

1. Shut off the power supply at the fuse box or circuit breaker. Remove the old fixture from ceiling, including the old cross bar.
2. Carefully unpack your new fixture and lay out all the parts in a clear area. Take care not to lose any small parts necessary for installation.
3. Install the fabric shade (H) onto the fixture using the screw (I).
4. Put the glass shade (F), ring (J) over the socket (G) and secure with socket ring (E).
5. Install the bulbs in accordance with the fixture's specifications. **(DO NOT EXCEED THE MAXMUM WATTAGE RATING!) (NE PAS DEPASSER LA PUISSANCE NOMINALE MAXIMALE!).**

MOUNTING THE FIXTURE

6. Attach the universal mounting plate (B) to the outlet box using the outlet box screws (A). The side of the mounting bar marked "GND" must face out.
7. Follow the wiring instructions carefully (See Fig.2).
8. Attach the fixture main body onto the universal mounting plate (B) by protruding 2 mounting screws (C) through the mounting holes of the ceiling canopy and secure with ball nut (D).

Wiring (See fig.2)

1. Connect the electrical wires as follows. Connect the black wire from the fixture to the black (HOT) house wire. Connect the white wire from the fixture to the white (Neutral) house wire. Make sure all the wire nuts were secured. You may wrap the connections with electrical tape. If your outlet box has a ground wire (Green or Bare Copper) connect fixture's ground wire to it. Other wise attach the bare copper fixture wire to the green ground screw on the mounting bar.
2. Tuck the wire connections neatly into the ceiling junction box.

Your installation is now complete. Turn on the power supply of the junction box to test the fixture.

Fig.1

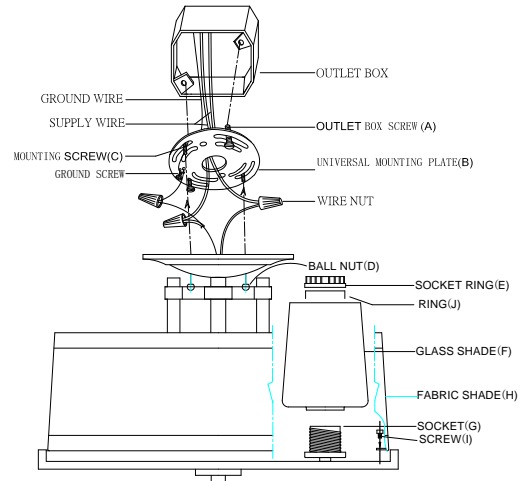


Fig .2

FIXTURE WIRES Black or Smooth		FIXTURE WIRES White or Ribbed		FIXTURE WIRES Bare Copper (Ground)	
HOUSE WIRES Black (Hot)		HOUSE WIRES White (Neutral)		HOUSE WIRES Green (Ground)	

